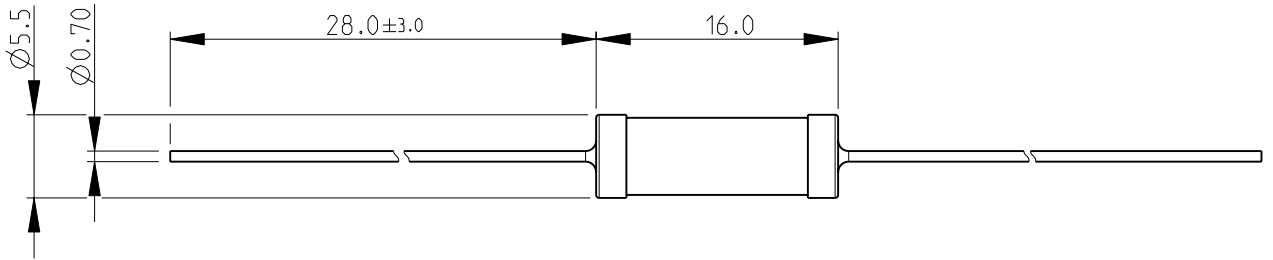
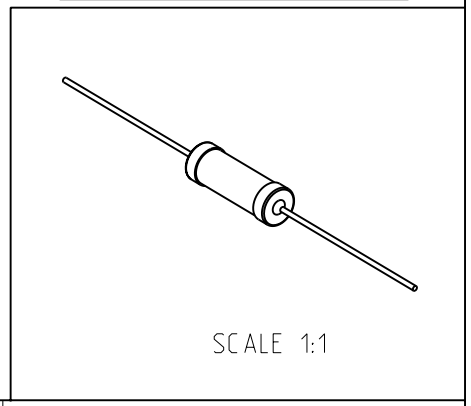


LOC	DIST	REVISIONS			
P	LTR	DESCRIPTION	DATE	DWN	APVD
E	B	BA1	REVISED PER ECO-11-005150	29MAR2011	RK HMR

FOR FURTHER INFORMATION SEE DATA SHEET FOR
CFR SERIES-CARBON FILM FIXED RESISTORS



RoHS Compliant



2008
 RELEASED FOR PUBLICATION
 ALL RIGHTS RESERVED.
 BY -
 THIS DRAWING IS UNPUBLISHED.
 COPYRIGHT 2008

DIMENSIONS: mm TOLERANCES UNLESS OTHERWISE SPECIFIED: 0 PLC ± 0.2 1 PLC ± 0.1 2 PLC \pm 3 PLC \pm 4 PLC \pm ANGLES $\pm 5^\circ$	DWN SUBHASH.M 20-Sep-08	MATERIAL	FINISH
	CHK PRAKASH.S 20-Sep-08	TE Connectivity	
APVD STEPHEN.P 20-Sep-08	NAME CARBON FILM FIXED RESISTORS SERIES CFR200		
PRODUCT SPEC -	SIZE A 4	CAGE CODE 00779	DRAWING NO C- 1623929
APPLICATION SPEC -	WEIGHT -		RESTRICTED TO -
	CUSTOMER DRAWING		SCALE 2:1 SHEET 1 OF 1 REV BA1