

4

3

2

1

THIS DRAWING IS UNPUBLISHED.

RELEASED FOR PUBLICATION

2008

© COPYRIGHT 2008

BY -

ALL RIGHTS RESERVED.

LOC
E

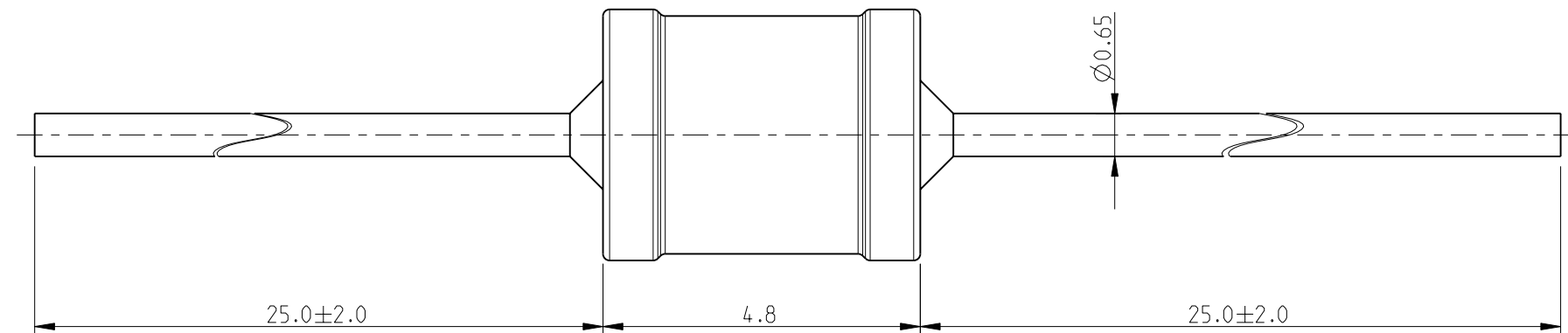
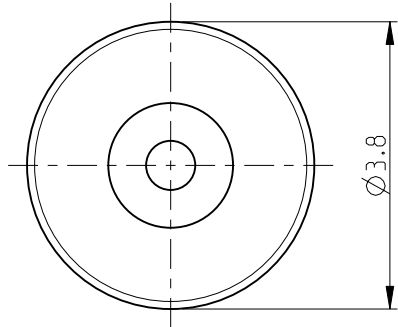
DIST
B

REVISIONS

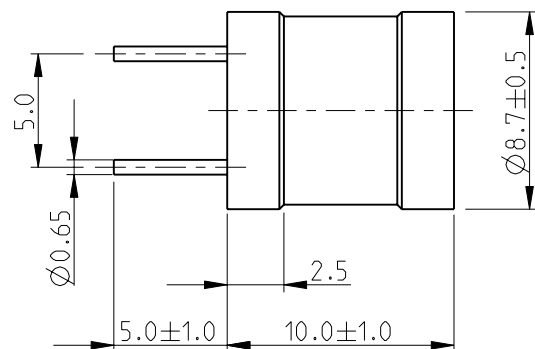
P	LTR	DESCRIPTION	DATE	DWN	APVD
BB		ECR-12-012596	12JUL2012	KR	TN

SC0405

FOR FURTHER INFORMATION SEE DATA SHEET FOR SERIES SC, AXIAL LEADED INDUCTORS

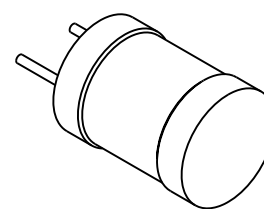


SC0912



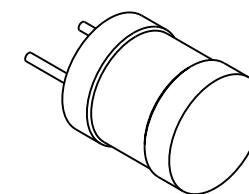
RoHS Compliant

SC0914



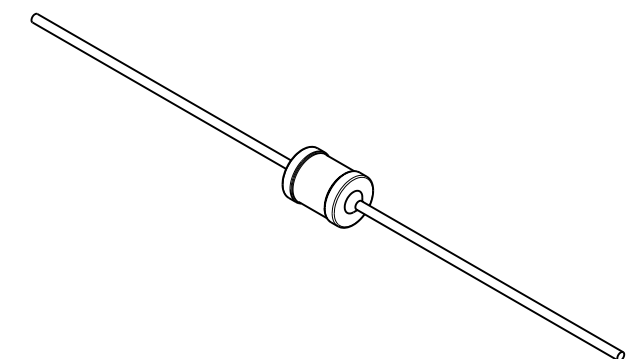
SCALE 2:1

SC0912



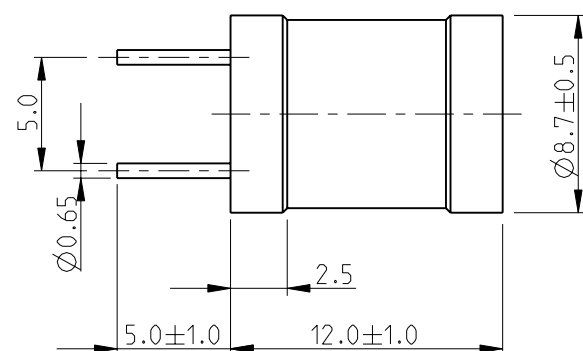
SCALE 2:1

SC0405



SCALE 2:1

SC0914



THIS DRAWING IS A CONTROLLED DOCUMENT.

DWN SUBHASH.M 11-DEC-08

CHK PRAKASH.S 11-DEC-08

APVD STEPHEN.P 11-DEC-08

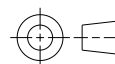


TE Connectivity

NAME LEADED INDUCTORS SERIES - SC

DIMENSIONS:

mm



TOLERANCES UNLESS OTHERWISE SPECIFIED:

0 PLC	± 0.2
1 PLC	± 0.1
2 PLC	± -
3 PLC	± -
4 PLC	± -
ANGLES	± 5°

MATERIAL -

FINISH -

PRODUCT SPEC -

APPLICATION SPEC -

WEIGHT -

SIZE A3 CAGE CODE 00779 DRAWING NO 1624055 RESTRICTED TO -

CUSTOMER DRAWING

SCALE 10:1

SHEET 1 OF 1

REV BB