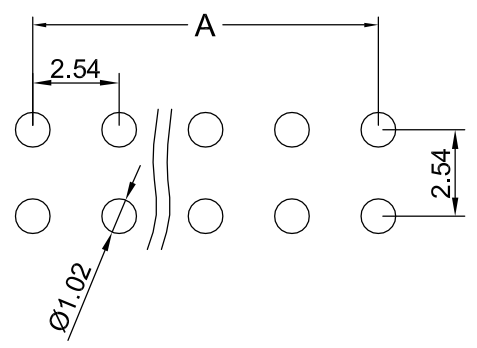


LOC	DIST	REVISIONS					
		P	LTR	DESCRIPTION	DATE	DWN	APVD
E	B	B		EBD0-0141-04	15MAR04	AM	FWK

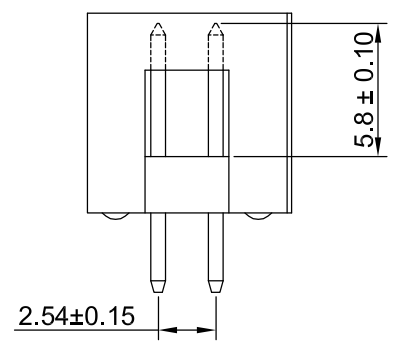
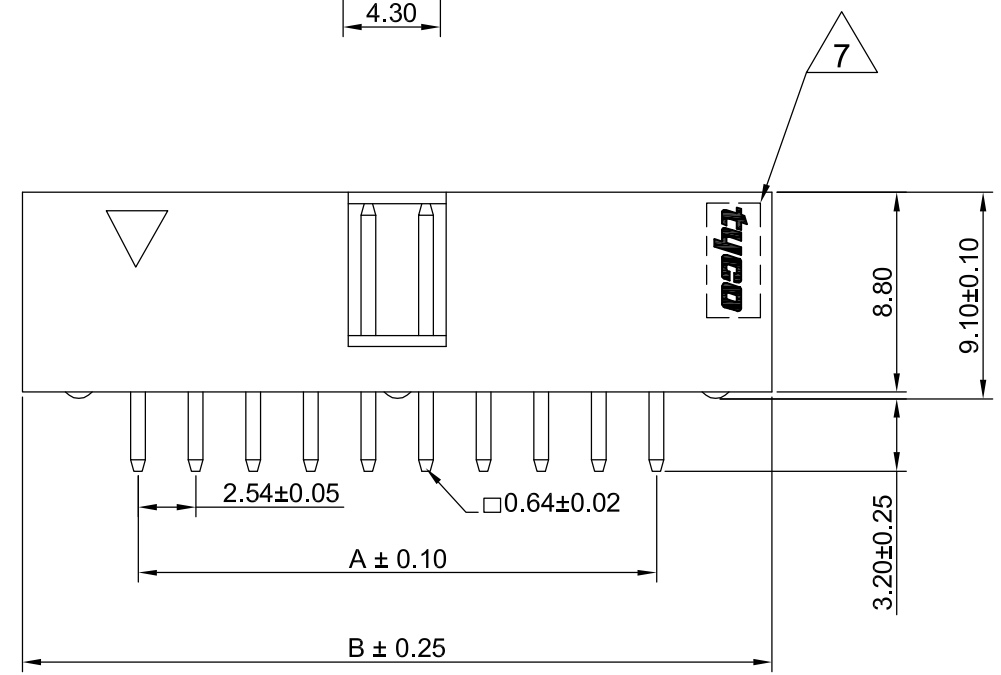
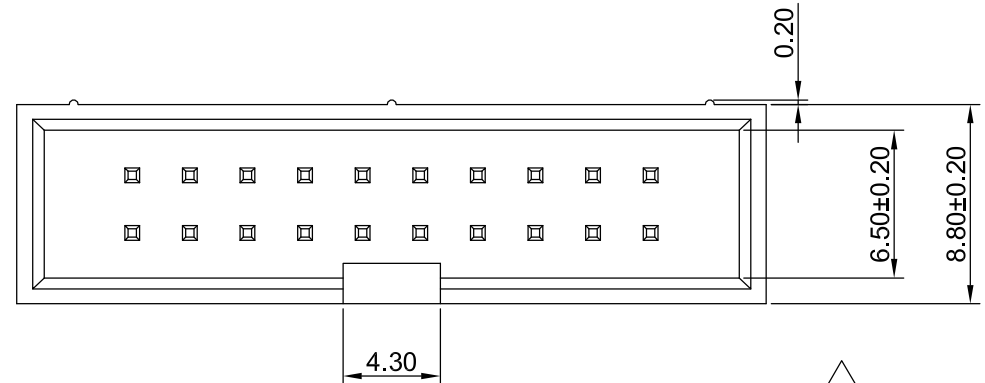
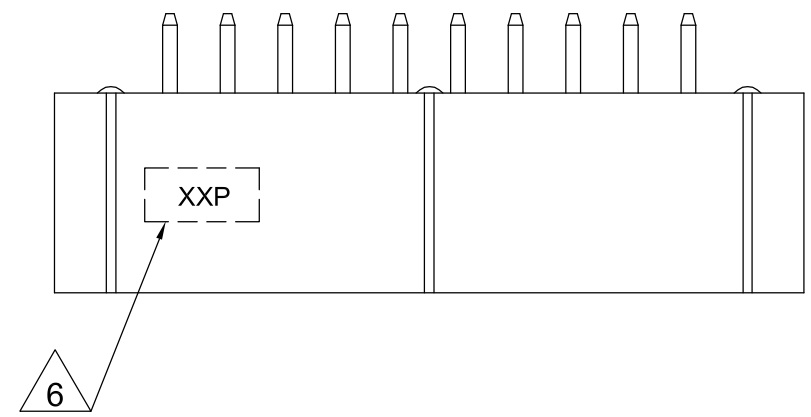
Recommended P.C.Board Hole Layout



NOTES

- FOR TECHNICAL DATA REFER TO YOUR LOCAL TYCO ELECTRONICS SALES OFFICE.
- ALL DIMENSIONS ARE NOMINAL FOR REFERENCE ONLY UNLESS OTHERWISE STATED.
- RATING
 - 2.1 RATING : 3 AMPS
 - 2.2 OPERATING TEMPERATURE : - 40°C TO +105°C
- ELECTRICAL SPECIFICATION
 - 3.1 INSULATION RESISTANCE 5000 MΩ MINIMUM
 - 3.2 WITHSTAND VOLTAGE 500V AC
- MATERIALS
 - 4.1 CONTACT - BRASS, POST PLATE
 - Au 0.25µm (10µinch) IN CONTACT AREA
 - Sn 2 TO 3µm (80 TO 120µinch) IN SOLDER AREA.
 - 4.2 HOUSING - BLACK POLYESTER UL 94V-0

- 6 NUMBER OF CONTACT POSITIONS TO BE INDICATED IN AREA SHOWN. XX = NUMBER OF POSITONS.
- 7 TYCO LOGO TO BE PRESENT IN AREA INDICATED.



78.74	88.93	64	6-1634688-4
73.66	83.85	60	6-1634688-0
60.96	71.15	50	5-1634688-0
48.26	58.45	40	4-1634688-0
40.64	50.83	34	3-1634688-4
30.48	40.67	26	2-1634688-6
22.86	33.05	20	2-1634688-0
17.78	27.97	16	1-1634688-6
15.24	25.43	14	1-1634688-4
10.16	20.35	10	1-1634688-0
A	B	No Of Contacts	TYCO Part No
Dimensions			

THIS DRAWING IS A CONTROLLED DOCUMENT.		DWN A.MOREY 14JAN04	Tyco Electronics Corporation Bideford, UK, EX39 4HE	
DIMENSIONS: MM		CHK J.SANDWELL 14JAN04		
TOLERANCES UNLESS OTHERWISE SPECIFIED:		APVD F.WHEELER-KING 14JAN04	NAME BOX HEADER STRAIGHT	
0 PLC ± - 1 PLC ± - 2 PLC ± 0.2 3 PLC ± - 4 PLC ± - ANGLES ± 3'		PRODUCT SPEC -	DRAWING NO A3 00779 C-1634688	
MATERIAL -		FINISH -	APPLICATION SPEC -	RESTRICTED TO -
CUSTOMER DRAWING			WEIGHT -	SCALE NTS
			SHEET 1 OF 1	REV B