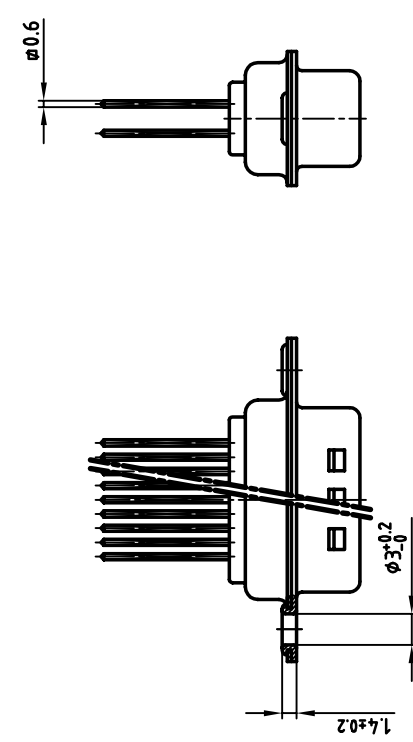
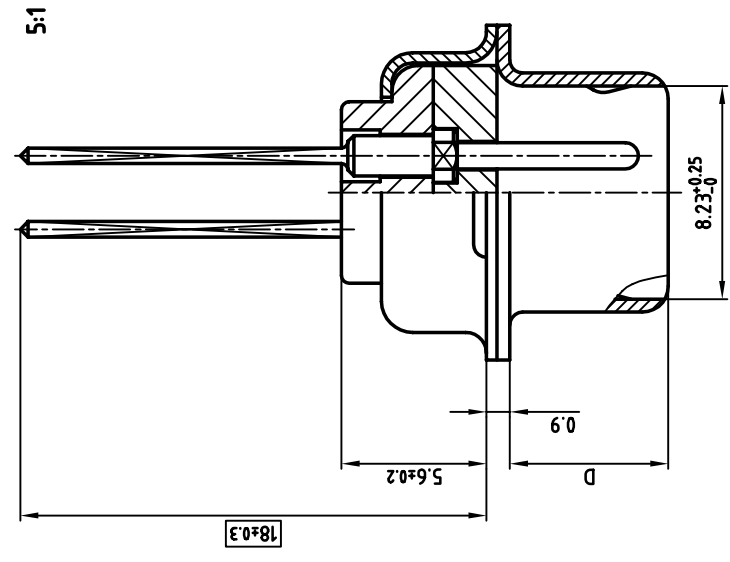
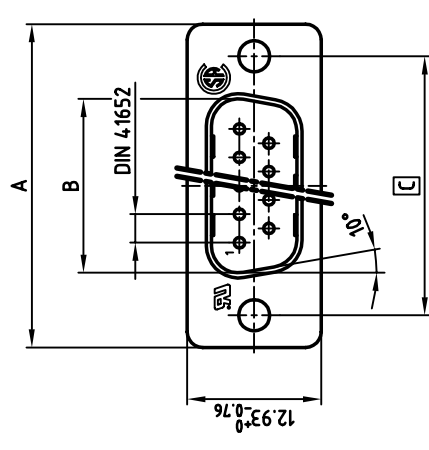


used for: D-SUB



NOTES:

1. METALSHELLS: STEEL; min. 320 μ " TIN
2. INSULATORS: PBT GF UL 94 V-0, BLACK
3. CONTACTS: COPPER ALLOY
4. PLATING: min. 8 μ " HARD GOLD OVER min. 50 μ " NICKEL
5. = CRITICAL DIMENSION: SPC

tolerance		scale: 2:1 (5:1)		material: SEE NOTES	
2001	date	name	title:	D-SUB MALE	
drawn	19.06.	Parei		9-37pos. WIRE WRAP	
appd.	19.06.	E. Mickenbecker		AutoCAD 2000	
norm	DIN 41652			DIN-A	
6-old				3	
			dwg no:		16K1A224A
			part no:		SEE TABLE
			sh: 1/1		

THIS DRAWING MAY NOT BE COPIED OR REPRODUCED IN ANY WAY, AND MAY NOT BE PASSED ON TO A THIRD PARTY WITHOUT WRITTEN PERMISSION. OWNERSHIP AND COPYRIGHT OF CONEC GMBH DO NOT ALTER CAD DRAWING BY HAND

rev.	description	date	name

POS.	A -0.76	B +0.25	C	D -0.3	PART-NO.
9	31.19	16.79	25.00 -0.12 -0.19	6.12	163A11169X
15	39.52	25.12	33.30 -0.15 -0.1	6.12	163A11179X
25	53.42	38.84	47.04 +0.13	5.99	163A11189X
37	69.70	55.30	63.50 +0.13	5.99	163A11199X

Directive 2002/95/EC
 „RoHS“
 Compliant

1 2 3 4 5 6 7 8