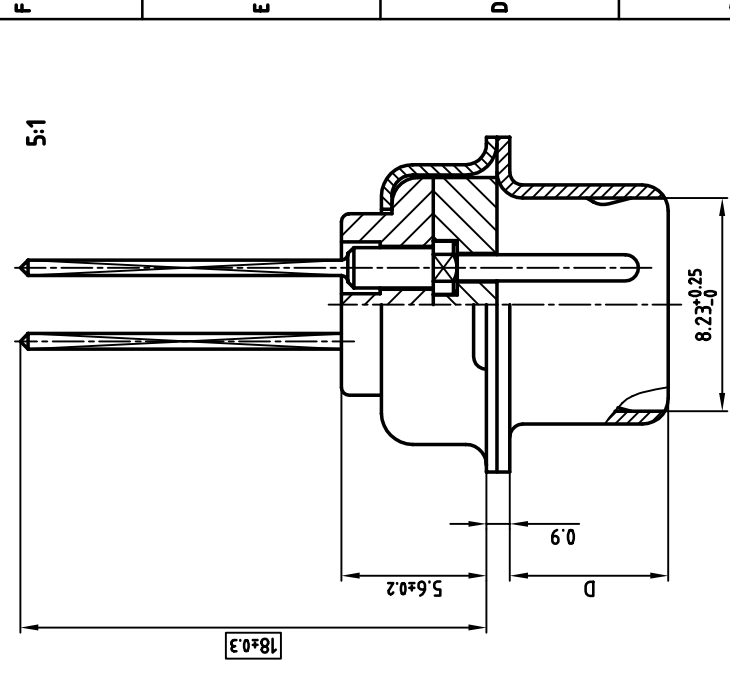
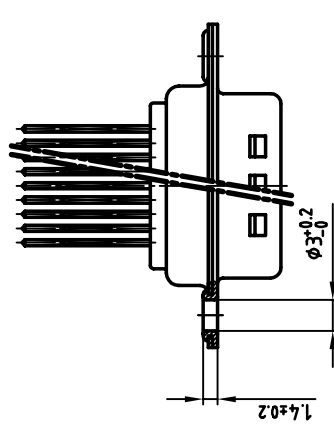
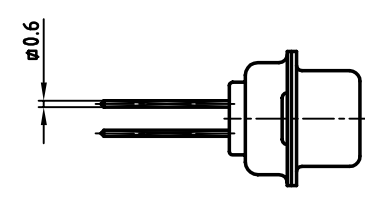
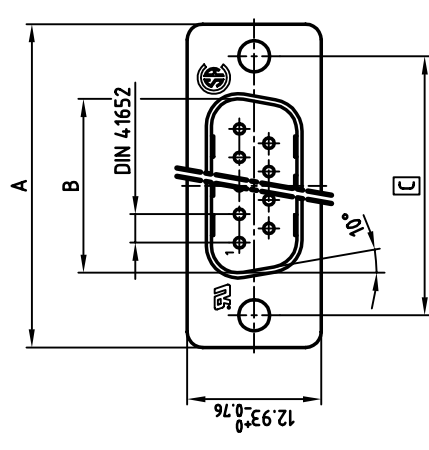


used for: D-SUB



NOTES:

1. METALSHELLS: STEEL; min. 320µ" TIN
2. INSULATORS: PBT GF UL 94 V-0, BLACK
3. CONTACTS: COPPER ALLOY
4. PLATING: min. 8µ" HARD GOLD OVER min. 50µ" NICKEL
5. = CRITICAL DIMENSION: SPC



THIS DRAWING MAY NOT BE COPIED OR REPRODUCED IN ANY WAY, AND MAY NOT BE PASSED ON TO A THIRD PARTY WITHOUT WRITTEN PERMISSION.
OWNERSHIP AND COPYRIGHT OF CONEC GMBH

DO NOT ALTER CAD DRAWING BY HAND

rev.	description	date	name

2001	date	name	tolerance
drawn	19.06.	Parei	2:1 (5:1)
appd.	19.06.	E. Mickenbecker	material:
norm	DIN 41652		title:
6-old			

scale: 2:1 (5:1)		SEE NOTES	
material:		D-SUB MALE	
title:		9-37pos. WIRE WRAP	
dwg no:		AutoCAD 2000	
part no:		16K1A224A	
DIN-A		3	
sh: 1/1		SEE TABLE	

POS.	A ^{-0.76}	B ^{+0.25}	C	D ^{-0.3}	PART-NO.
9	31.19	16.79	25.00 ^{-0.12} -0.19	6.12	163A11169X
15	39.52	25.12	33.30 ^{-0.15} -0.1	6.12	163A11179X
25	53.42	38.84	47.04 ^{+0.13}	5.99	163A11189X
37	69.70	55.30	63.50 ^{+0.13}	5.99	163A11199X

Directive 2002/95/EC
"RoHS"
Compliant