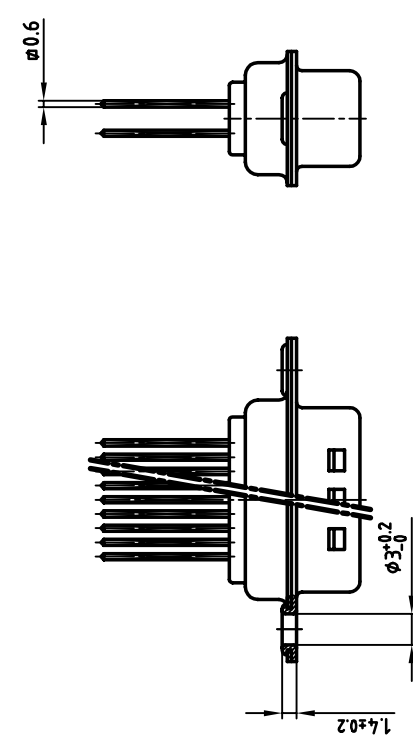
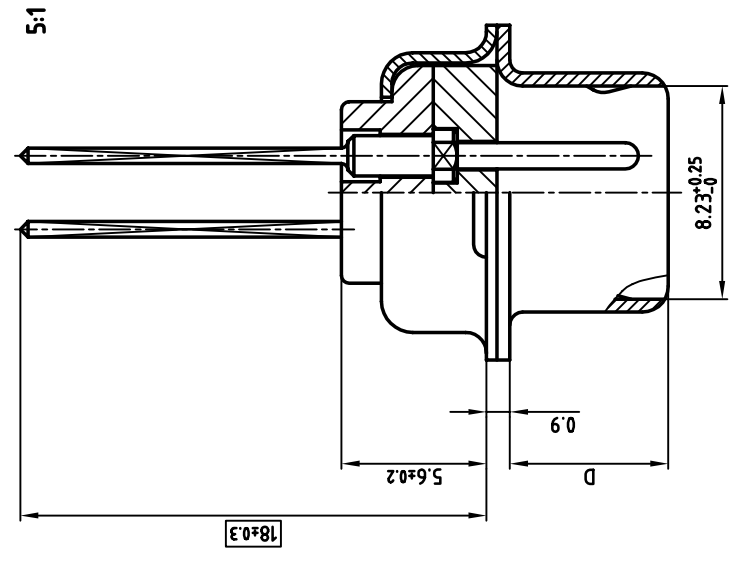
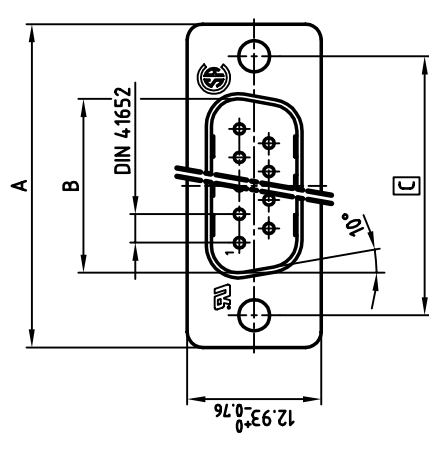


used for: D-SUB



NOTES:

1. METALSHELLS: STEEL; min. 320μ" TIN
2. INSULATORS: PBT GF UL 94 V-0, BLACK
3. CONTACTS: COPPER ALLOY
4. PLATING: min. 8μ" HARD GOLD OVER min. 50μ" NICKEL
5. = CRITICAL DIMENSION: SPC

tolerance		scale: 2:1 (5:1)		material: SEE NOTES	
2001	date	name	title:	D-SUB MALE	
drawn	19.06.	Parei		9-37pos. WIRE WRAP	
appd.	19.06.	E. Mickenbecker		AutoCAD 2000	
norm	DIN 41652			DIN-A	
6-01d				dwg no: 16K1A224A	
				3	
				sh: 1/1	
			CONEC®		
			part no: SEE TABLE		

THIS DRAWING MAY NOT BE COPIED OR REPRODUCED IN ANY WAY, AND MAY NOT BE PASSED ON TO A THIRD PARTY WITHOUT WRITTEN PERMISSION. OWNERSHIP AND COPYRIGHT OF CONEC GMBH DO NOT ALTER CAD DRAWING BY HAND

POS.	A ^{-0.76}	B ^{+0.25}	C	D ^{-0.3}	PART-NO.
9	31.19	16.79	25.00 ^{-0.12} -0.19	6.12	163A11169X
15	39.52	25.12	33.30 ^{-0.15} -0.1	6.12	163A11179X
25	53.42	38.84	47.04 ^{+0.13}	5.99	163A11189X
37	69.70	55.30	63.50 ^{+0.13}	5.99	163A11199X

Directive 2002/95/EC
"RoHS"
Compliant