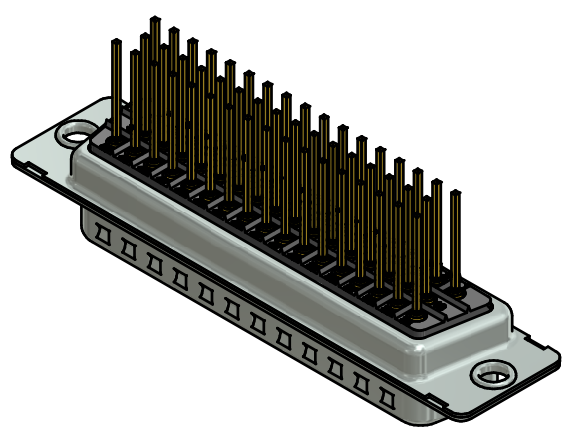
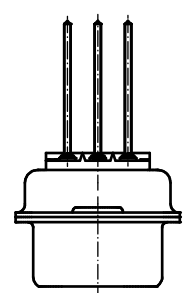
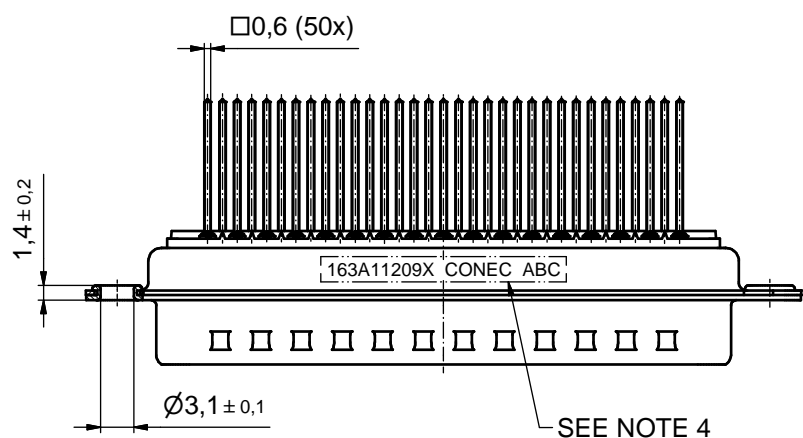
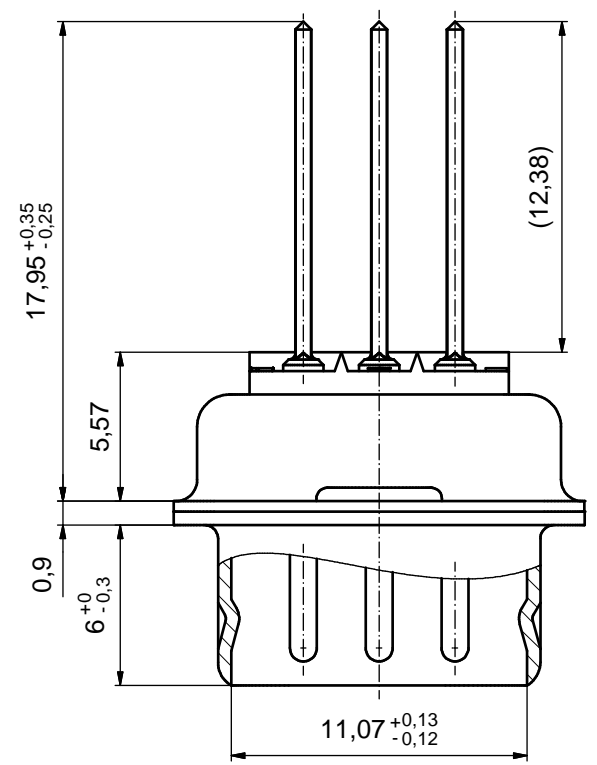
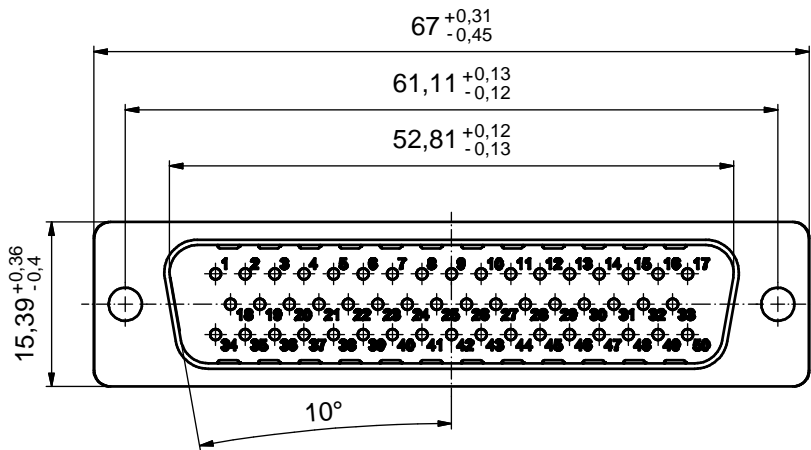


(5:1)



NOTES:

- METALSHELLS: STEEL; min. 315µm TIN over 40-80µm NICKEL
- INSULATORS: PBT GF UL 94 V-0, BLACK
- CONTACTS: COPPER ALLOY  
PLATING: GOLD FLASH over NICKEL
- CONNECTOR IS PART MARKET: 163A11209X CONEC ABC

Directive 2002/95/EC RoHS compliant

THIS DRAWING MAY NOT BE COPIED OR REPRODUCED IN ANY WAY, AND MAY NOT BE PASSED ON TO A THIRD PARTY WITHOUT WRITTEN PERMISSION. OWNERSHIP AND COPYRIGHT OF CONEC GmbH DO NOT ALTER CAD DRAWING BY HAND	tolerance		dim. in mm		scale: 2:1 (5:1)	
					material: SEE NOTES	
	drawn	16.04.12	name		title: <b>D-SUB MALE</b> 50pos. WIRE WRAP	
	appd.	16.04.12	Fischer			
	norm					
		d-old		dwg no:		
a	Original			16K1A3056		DIN-A3
rev.	description	date	name	part no: 163A11209X		sh: 1

