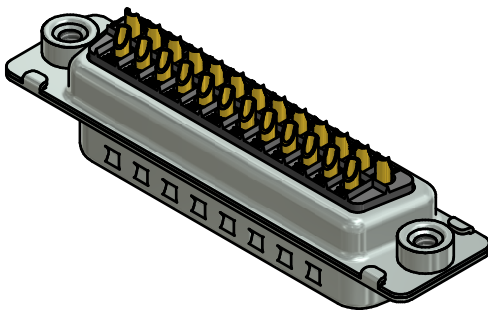
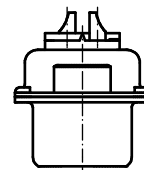
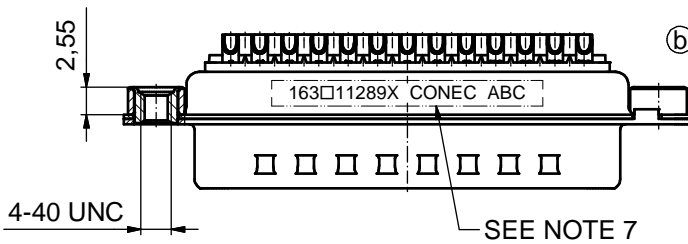
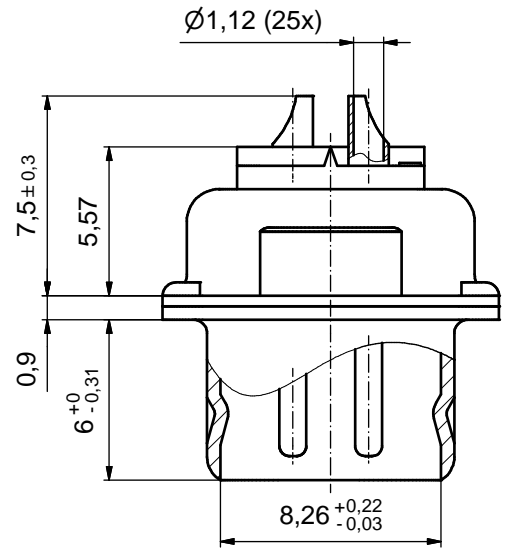
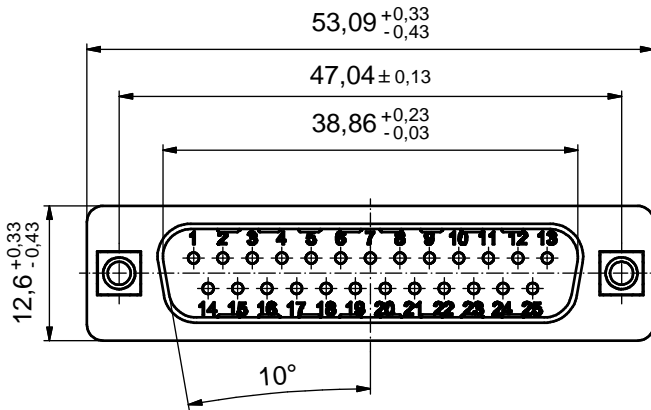


(5:1)



NOTES:

- METALSHELLS: STEEL; min. 315µm TIN over 40-80µm NICKEL
- INSULATORS: PBT GF UL 94 V-0; BLACK
- CONTACTS: COPPER ALLOY; PLATING (SEE PART NO.):
 - PLEASE ADD A for GOLD FLASH over NICKEL (PREFERRED TYPE)
 - PLEASE ADD B for 20µm HARD GOLD over min. 50µm NICKEL
 - PLEASE ADD C for 30µm HARD GOLD over min. 50µm NICKEL
 - PLEASE ADD J for 50µm HARD GOLD over min. 50µm NICKEL
- THREADED INSERTS: COPPER ALLOY; min. 200µm TIN over 80µm NICKEL
- COLLARS: COPPER ALLOY; min. 200µm TIN over 80µm NICKEL
- MAXIMUM TORQUE VALUE FOR THREAD: 6 in.LB
- CONNECTOR IS PART MARKED: **163□11289X CONEC ABC** (see note 3)

RoHS compliant

THIS DRAWING MAY NOT BE COPIED OR REPRODUCED IN ANY WAY, AND MAY NOT BE PASSED ON TO A THIRD PARTY WITHOUT WRITTEN PERMISSION. OWNERSHIP AND COPYRIGHT OF CONEC GmbH				tolerance			scale:	2:1 (5:1)	
				dim. in mm			material:	SEE NOTES	
DO NOT ALTER CAD DRAWING BY HAND				date	name	title: D-SUB MALE 25pos. SOLDER CUP with threaded insert			
				drawn	05.01.16				
2 x b				appd.	06.01.16	Schmidt	dwg no:		DIN-A3
				norm	16K1A674 / 16K1A1739				
rev. description date name				d-old		16K1A674 / 16K1A1739		sh: 1	
				part no:		163□11289X (see note 3)			

