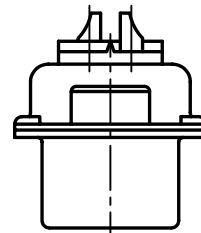
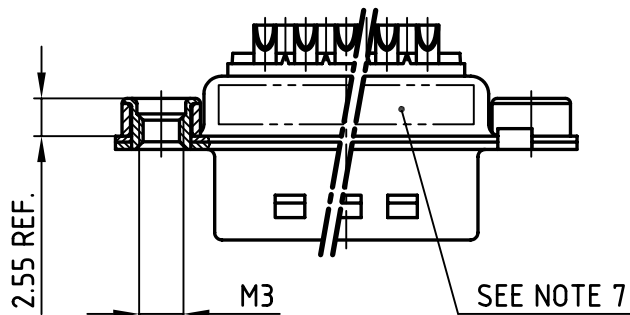
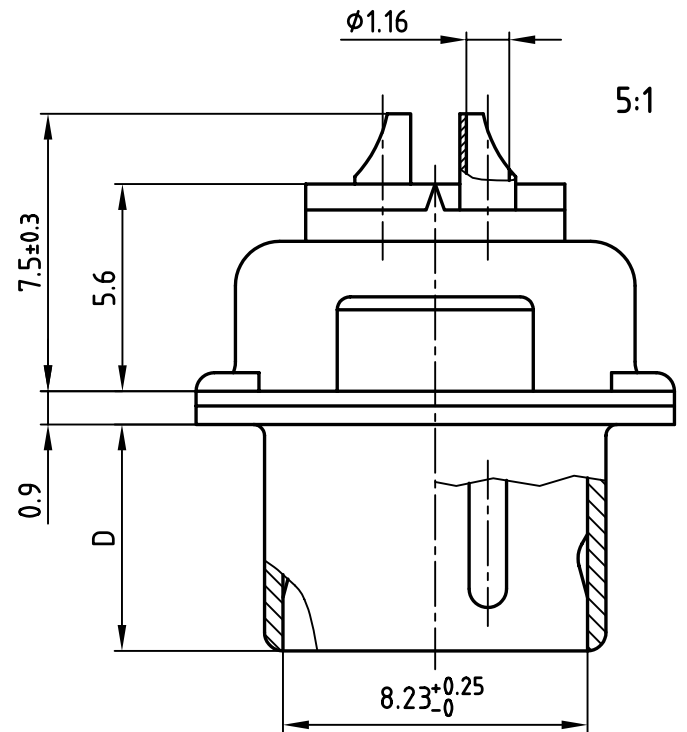
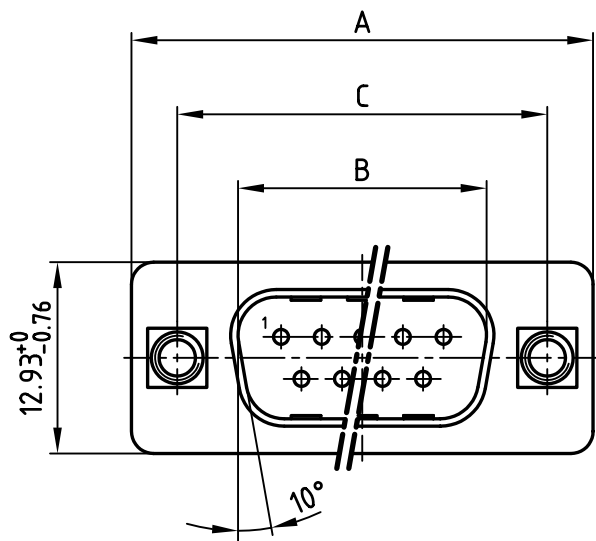


used for: D-SUB



| POS.          | A <sub>-0.76</sub> | B <sub>+0.25</sub> | C   | D <sub>-0.3</sub> | Part No.              |
|---------------|--------------------|--------------------|---|-------------------|-----------------------|
| 9             | 31.19              | 16.79              | 25.00 <sup>+0.12</sup> <sub>-0.13</sub>         | 6.12              | 163A11319X            |
| <del>15</del> | <del>39.52</del>   | <del>25.12</del>   | <del>33.30<sup>+0.15</sup><sub>-0.1</sub></del> | <del>6.12</del>   | <del>163A11329X</del> |
| 25            | 53.42              | 38.84              | 47.04 <sup>±0.13</sup>                          | 5.99              | 163A11339X            |
| 37            | 69.70              | 55.30              | 63.50 <sup>±0.13</sup>                          | 5.99              | 163A11349X            |

16K1A3716

**NOTES:**

- METALSHELLS: STEEL; min. 320µ" TIN
- INSULATORS: PBT GF UL 94 V-0, BLACK
- CONTACTS: COPPER ALLOY  
PLATING: 8µ" HARD GOLD OVER min. 50µ" NICKEL  
SOLDER CUP ACCEPTS CABLE AWG 20
- THREADED INSERT: COPPER ALLOY; min. 200µ" TIN over 80µ" NICKEL
- COLLAR: COPPER ALLOY; min. 200µ" TIN over 80µ" NICKEL
- MAXIMUM TORQUE VALUE FOR THREAD: 6" LBS
- CONNECTOR IS PART MARKED: PART-NO. CONEC ABC



|   |        |
|---|--------|
| APPROVAL # FREIGABE # DEBLOCAGE # AUTOR/ZACION # APPROVAL |        |
| CUSTOMER APPROVAL DATE:                                   |        |
| NAME:   | TITLE: |
| COMPANY NAME:   |        |
| APPROVAL # FREIGABE # DEBLOCAGE # AUTOR/ZACION # APPROVAL |        |

THIS DRAWING MAY NOT BE COPIED OR REPRODUCED IN ANY WAY, AND MAY NOT BE PASSED ON TO A THIRD PARTY WITHOUT WRITTEN PERMISSION.  
 OWNERSHIP AND COPYRIGHT OF CONEC GmbH  
**DO NOT ALTER CAD DRAWING BY HAND**

| rev. | description | date | name |
|------|-------------|------|------|
|      |             |      |      |
|      |             |      |      |
|      |             |      |      |
|      |             |      |      |
|      |             |      |      |
|      |             |      |      |
|      |             |      |      |
|      |             |      |      |
|      |             |      |      |
|      |             |      |      |

|                           |        |                      |  |
|---------------------------|--------|----------------------|--|
| tolerance                 |        | <br>dim. in mm       | scale: 2:1 (5:1)   |
| material:                 |        |                      | SEE NOTES  |
| 2003                      | date   | name                 | title:<br><b>D-SUB MALE</b><br>9-37pos. SOLDER CUP<br>with threaded insert |
| drawn                     | 25.08. | Lehmenkühler         |  |
| appd.                     | 25.08. | Mickenbecker         |  |
| norm                      |        | DIN 41652            |  |
| d-old                     |        |                      |  |
| <b>CONEC</b> <sup>®</sup> |        | dwg no: AutoCAD 2000 |  |
|                           |        | DIN-A                |  |
| part no:                  |        | 16K1A1005            | 3  |
| SEE TABLE                 |        | sh: 1/1              |  |