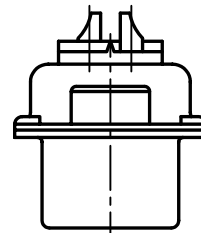
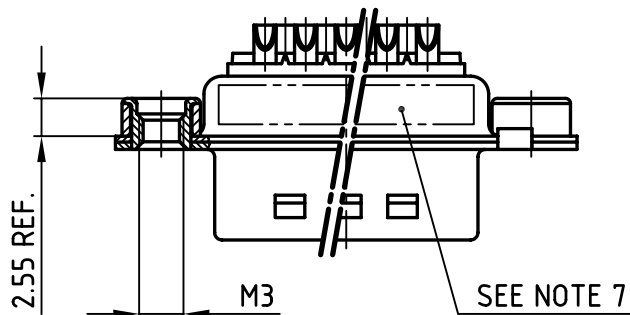
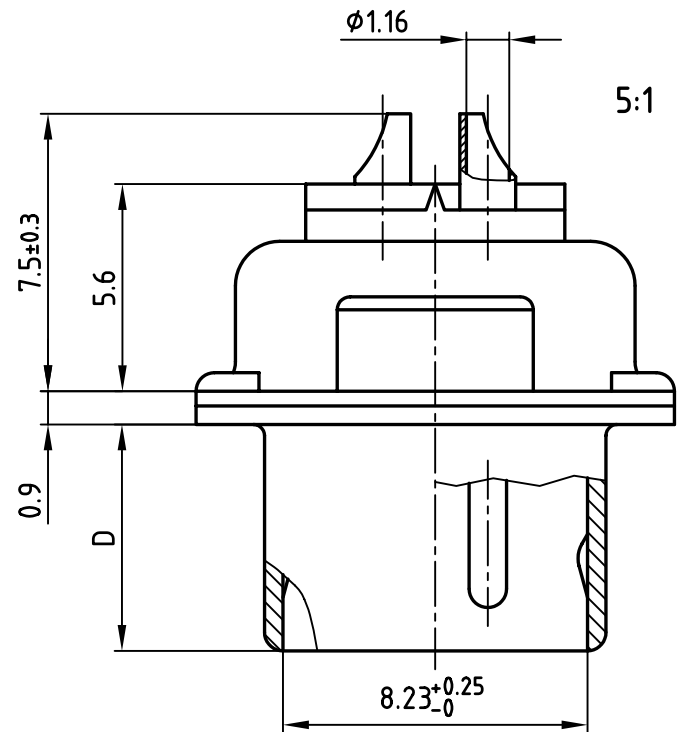
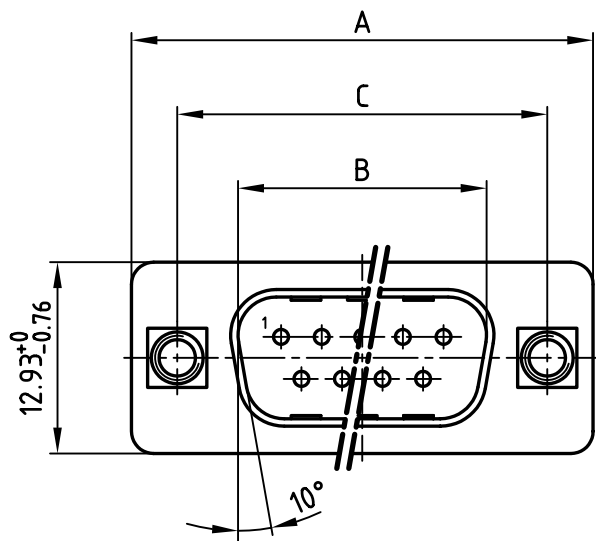


used for: D-SUB



POS.	A <sub>-0.76</sub>	B <sub>+0.25</sub>	C	D <sub>-0.3</sub>	Part No.
9	31.19	16.79	25.00 <sup>+0.12</sup> <sub>-0.13</sub>	6.12	163A11319X
<del>15</del>	<del>39.52</del>	<del>25.12</del>	<del>33.30<sup>+0.15</sup><sub>-0.1</sub></del>	<del>6.12</del>	<del>163A11329X</del>
25	53.42	38.84	47.04 <sup>±0.13</sup>	5.99	163A11339X
37	69.70	55.30	63.50 <sup>±0.13</sup>	5.99	163A11349X

16K1A3716

**NOTES:**

- METALSHELLS: STEEL; min. 320µ" TIN
- INSULATORS: PBT GF UL 94 V-0, BLACK
- CONTACTS: COPPER ALLOY  
PLATING: 8µ" HARD GOLD OVER min. 50µ" NICKEL  
SOLDER CUP ACCEPTS CABLE AWG 20
- THREADED INSERT: COPPER ALLOY; min. 200µ" TIN over 80µ" NICKEL
- COLLAR: COPPER ALLOY; min. 200µ" TIN over 80µ" NICKEL
- MAXIMUM TORQUE VALUE FOR THREAD: 6" LBS
- CONNECTOR IS PART MARKED: PART-NO. CONEC ABC



APPROVAL # FREIGABE # DEBLOCAGE # AUTOR/ZACION # APPROVAL	
CUSTOMER APPROVAL DATE:	
NAME:	TITLE:
COMPANY NAME:	
APPROVAL # FREIGABE # DEBLOCAGE # AUTOR/ZACION # APPROVAL	

THIS DRAWING MAY NOT BE COPIED OR REPRODUCED IN ANY WAY, AND MAY NOT BE PASSED ON TO A THIRD PARTY WITHOUT WRITTEN PERMISSION.  
 OWNERSHIP AND COPYRIGHT OF CONEC GmbH  
 DO NOT ALTER CAD DRAWING BY HAND

rev.	description	date	name

tolerance		dim. in mm	scale: 2:1 (5:1)
2003			material: SEE NOTES
drawn	date	name	<b>D-SUB MALE</b> 9-37pos. SOLDER CUP with threaded insert
25.08.	25.08.	Lehmenkühler	
appd.	25.08.	Mickenbecker	
norm		DIN 41652	dwg no: AutoCAD 2000 <b>16K1A1005</b>
d-old			
			DIN-A 3 sh:1/1
part no:		SEE TABLE	