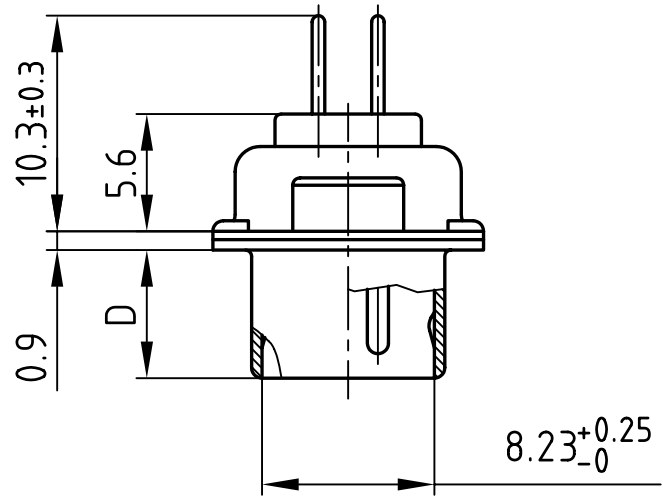
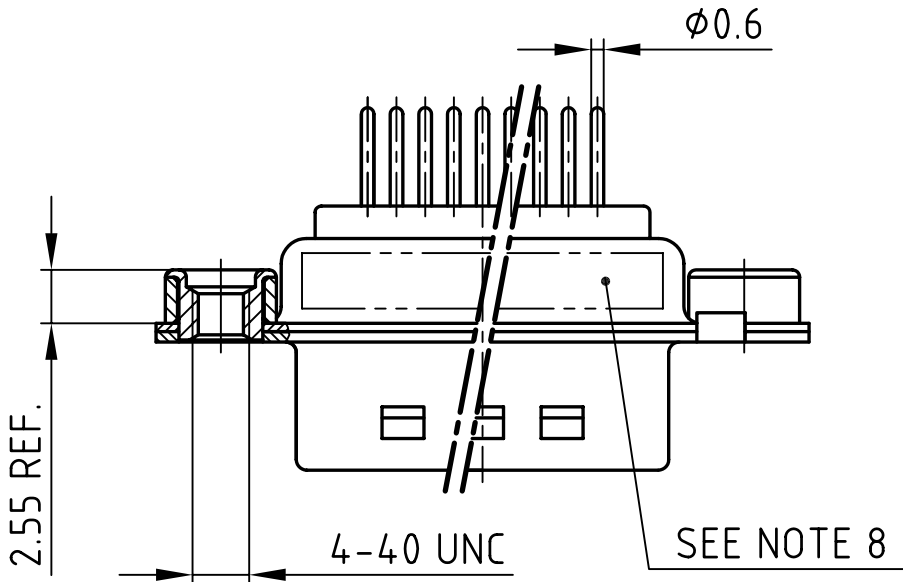
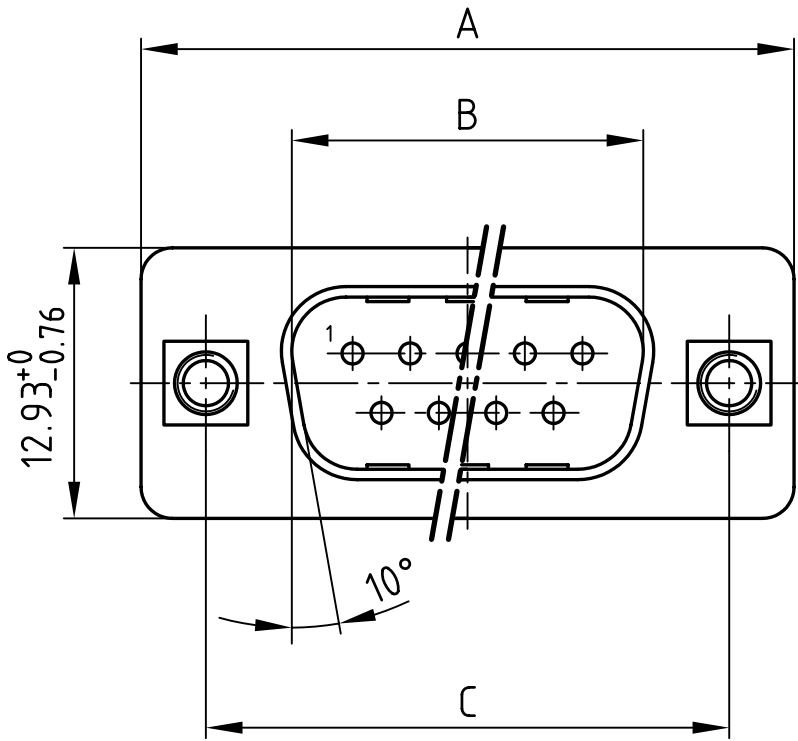


used for: D-SUB

| POS. | A <sub>-0.76</sub> | B <sub>+0.25</sub> | C                                       | D <sub>-0.3</sub> | PART NO.   |
|------|--------------------|--------------------|---|-------------------|------------|
| 9    | 31.19              | 16.79              | 25.00 <sup>+0.12</sup> <sub>-0.13</sub> | 6.12              | 163A11369X |
| 15   | 39.52              | 25.12              | 33.30 <sup>+0.15</sup> <sub>-0.1</sub>  | 6.12              | 163A11379X |
| 25   | 53.42              | 38.84              | 47.04 $\pm$ 0.13                        | 5.99              | 163A11389X |
| 37   | 69.70              | 55.30              | 63.50 $\pm$ 0.13                        | 5.99              | 163A11399X |



Directive 2002/95/EC  
"RoHS"  
Compliant

**NOTES:**

- METALSHELLS: STEEL; min. 320µin TIN
- INSULATORS: PBT GF UL 94 V-0, BLACK
- CONTACTS: COPPER ALLOY  
PLATING: min. 8µin HARD GOLD over min. 50µin NICKEL
- THREADED INSERT: COPPER ALLOY; min. 200µin TIN over 80µin NICKEL
- COLLAR: COPPER ALLOY; min. 200µin TIN over 80µin NICKEL
- P.C.B. HOLE DRILLINGS ON DRAWING NO.: 16K111UA
- MAXIMUM TORQUE VALUE FOR THREAD: 6 in.LB
- CONNECTOR IS PART MARKED: PART-NO. CONEC ABC

|   |        |
|---|--------|
| APPROVAL # FREIGABE # DEBLOCAGE # AUTORIZACION # APPROVAL |        |
| CUSTOMER APPROVAL DATE:                                   |        |
| NAME:   | TITLE: |
| COMPANY NAME:   |        |
| APPROVAL # FREIGABE # DEBLOCAGE # AUTORIZACION # APPROVAL |        |

THIS DRAWING MAY NOT BE COPIED OR REPRODUCED IN ANY WAY, AND MAY NOT BE PASSED ON TO A THIRD PARTY WITHOUT WRITTEN PERMISSION.  
 OWNERSHIP AND COPYRIGHT OF CONEC GmbH  
 DO NOT ALTER CAD DRAWING BY HAND

|      |             |           |           |  |                 |
|------|-------------|-----------|-----------|--|-----------------|
|      |             | tolerance |           |  |                 |
|      |             | 2002      | date      |  | name            |
|      |             | drawn     | 28.06.    |  | Parei           |
|      |             | appd.     | 28.06.    |  | E. Mickenbecker |
|      |             | norm      | DIN 41652 |  |                 |
|      |             | d-old     |           |  |                 |
| a    | Origin      |           |           |  |                 |
| rev. | description | date      | name      |  |                 |

|   |         |
|---|---------|
| scale: 2:1  |         |
| material: SEE NOTES   |         |
| title: D-SUB MALE<br>9-37pos. SOLDER PIN STRAIGHT<br>with threaded insert |         |
| dwg no: AutoCAD 2000  | DIN-A 4 |
| 16K1A696  |         |
| sh: 1/1   |         |
| part no: SEE TABLE  |         |

4

3

2

1

F

F

E

E

D

D

C

C

B

B

A

A