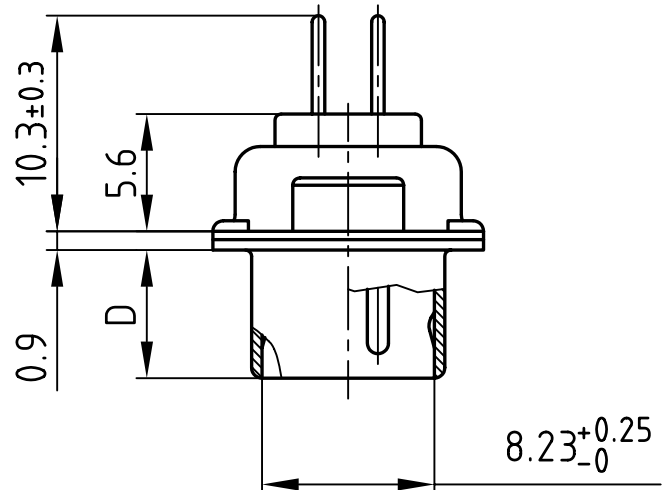
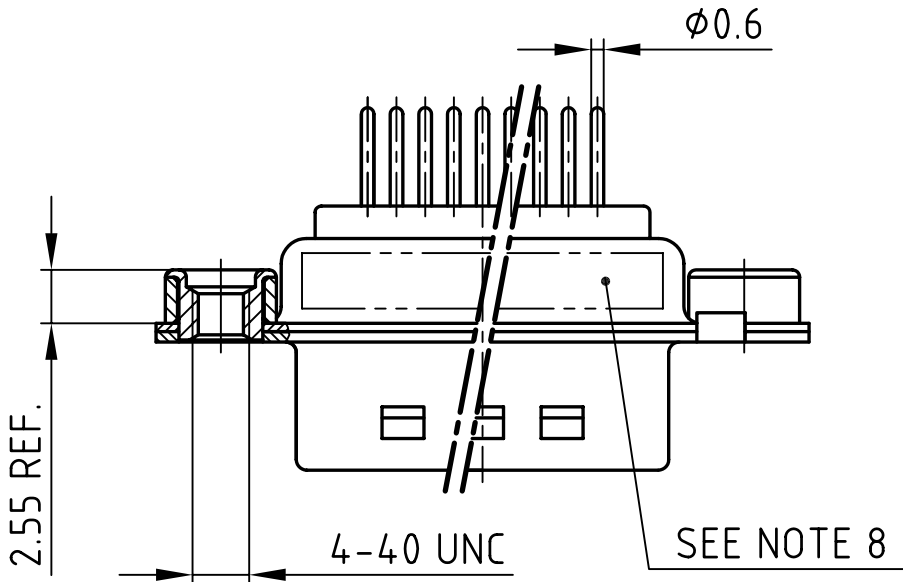
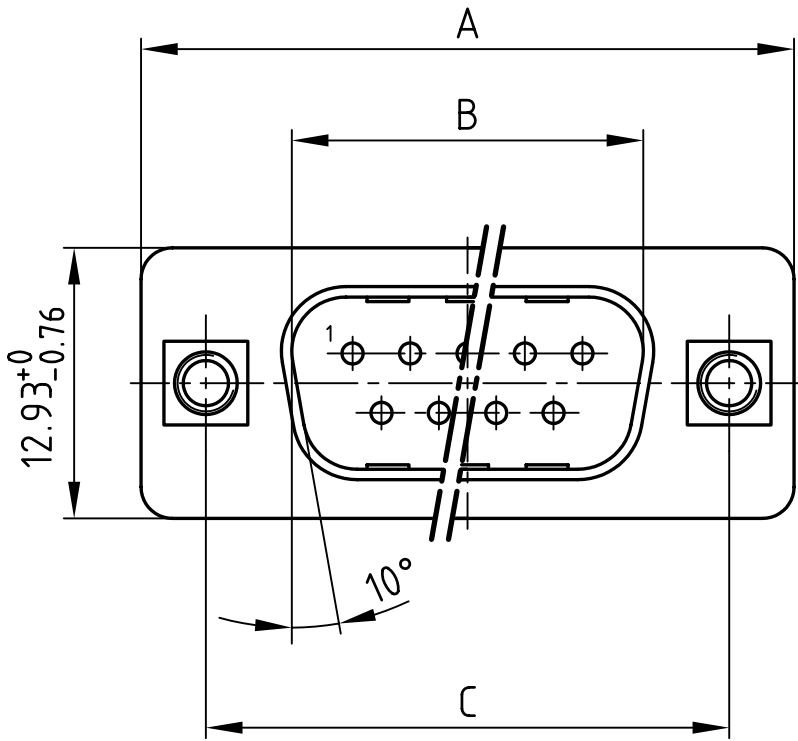


used for: D-SUB

POS.	A ^{-0.76}	B ^{+0.25}	C	D ^{-0.3}	PART NO.
9	31.19	16.79	25.00 ^{+0.12} _{-0.13}	6.12	163A11369X
15	39.52	25.12	33.30 ^{+0.15} _{-0.1}	6.12	163A11379X
25	53.42	38.84	47.04 \pm 0.13	5.99	163A11389X
37	69.70	55.30	63.50 \pm 0.13	5.99	163A11399X



Directive 2002/95/EC
"RoHS"
Compliant

NOTES:

- METALSHELLS: STEEL; min. 320µin TIN
- INSULATORS: PBT GF UL 94 V-0, BLACK
- CONTACTS: COPPER ALLOY
PLATING: min. 8µin HARD GOLD over min. 50µin NICKEL
- THREADED INSERT: COPPER ALLOY; min. 200µin TIN over 80µin NICKEL
- COLLAR: COPPER ALLOY; min. 200µin TIN over 80µin NICKEL
- P.C.B. HOLE DRILLINGS ON DRAWING NO.: 16K111UA
- MAXIMUM TORQUE VALUE FOR THREAD: 6 in.LB
- CONNECTOR IS PART MARKED: PART-NO. CONEC ABC

APPROVAL # FREIGABE # DEBLOCAGE # AUTORIZACION # APPROVAL	
CUSTOMER APPROVAL DATE:	
NAME:	TITLE:
COMPANY NAME:	
APPROVAL # FREIGABE # DEBLOCAGE # AUTORIZACION # APPROVAL	

THIS DRAWING MAY NOT BE COPIED OR REPRODUCED IN ANY WAY, AND MAY NOT BE PASSED ON TO A THIRD PARTY WITHOUT WRITTEN PERMISSION.
 OWNERSHIP AND COPYRIGHT OF CONEC GmbH
 DO NOT ALTER CAD DRAWING BY HAND

2002	date	name
drawn	28.06.	Parei
appd.	28.06.	E. Mickenbecker
norm	DIN 41652	
d-old		
a	Origin	
rev.	description	date name



tolerance	scale: 2:1
	material: SEE NOTES
title: D-SUB MALE 9-37pos. SOLDER PIN STRAIGHT with threaded insert	
dwg no: AutoCAD 2000	DIN-A 4
part no: 16K1A696	
part no: SEE TABLE	