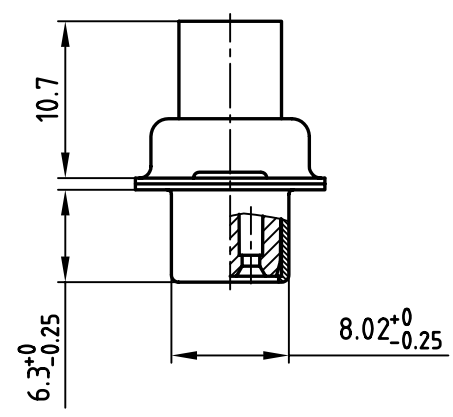
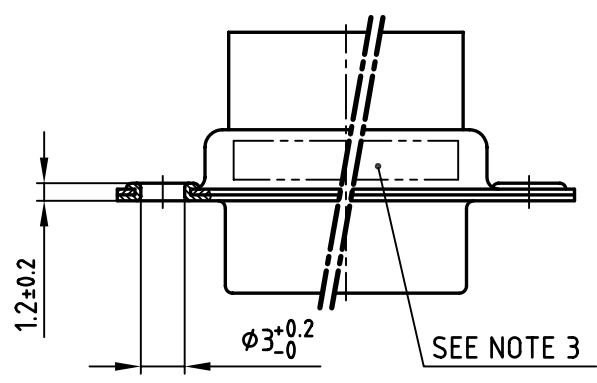
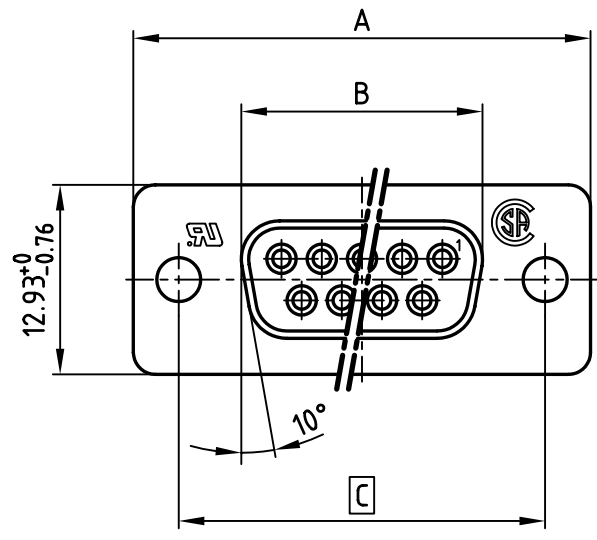


used for: D-SUB



No. of Pos.	A ^{-0.76}	B ^{-0.25}	C	Part-NO.
9	31.19	16.46	25.00 ^{+0.12} / _{-0.13}	164X11769X
15	39.52	24.79	33.30 ^{+0.15} / _{-0.1}	164X11779X
25	53.42	38.50	47.04 ±0.13	164X11789X
37	69.70	54.96	63.50 ±0.13	164X11799X

NOTES:

1. METALSHELLS: STEEL; min. 320µ" TIN
2. INSULATORS: PBT GF UL 94 V-0, BLACK
3. CONNECTOR IS PART MARKED: PART-NO. CONEC Y/WW
4. = CRITICAL DIMENSION: SPC



THIS DRAWING MAY NOT BE COPIED OR REPRODUCED IN ANY WAY, AND MAY NOT BE PASSED ON TO A THIRD PARTY WITHOUT WRITTEN PERMISSION.
 OWNERSHIP AND COPYRIGHT OF CONEC GmbH
 DO NOT ALTER CAD DRAWING BY HAND

tolerance		scale: 2:1	
2001	date	material: SEE NOTES	
drawn	11.04.	title:	
appd.	11.04.	D-SUB Socket connector CRIMP STYLE 9-37pos.	
norm	DIN 41652		
d-old		dwg no: AutoCAD 2000	
rev.	description	16K1A177A	
date	name	part no: SEE TABLE	



material: SEE NOTES		DIN-A	
title: D-SUB Socket connector CRIMP STYLE 9-37pos.		4	
dwg no: AutoCAD 2000		sh: 1/1	
part no: SEE TABLE			