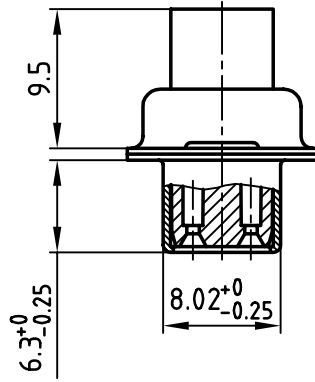
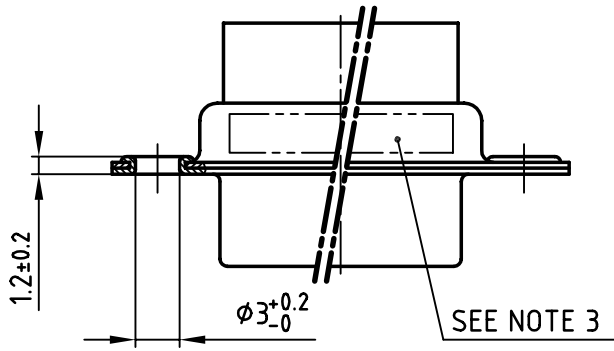
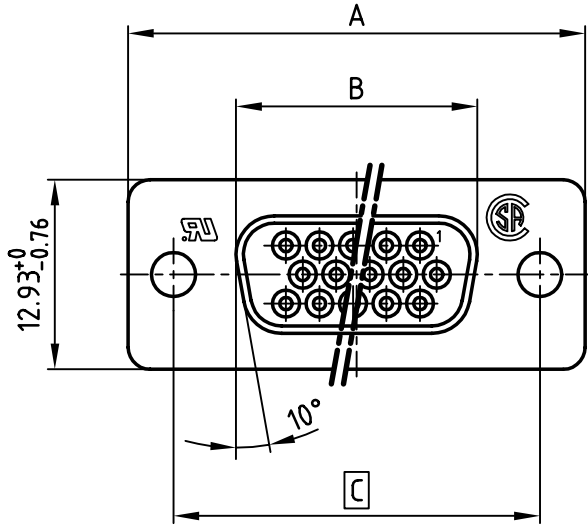


used for: D-SUB HD



POS.	A ^{-0.76}	B ^{-0.25}	C	Part-NO.
15	31.19	16.46	25.00 ^{+0.12} / _{-0.13}	164X11949X
26	39.52	24.79	33.30 ^{+0.15} / _{-0.1}	164X11959X
44	53.42	38.50	47.04 ±0.13	164X11969X (304A544000X)
62	69.70	54.96	63.50 ±0.13	164X11979X

NOTES:

1. METALSHELLS: STEEL; min. 320µ" TIN
2. INSULATORS: PBT GF UL 94 V-0, BLACK
3. CONNECTOR IS PART MARKED: PART-NO. CONEC Y/WW
4. = CRITICAL DIMENSION: SPC

THIS DRAWING MAY NOT BE COPIED OR REPRODUCED IN ANY WAY, AND MAY NOT BE PASSED ON TO A THIRD PARTY WITHOUT WRITTEN PERMISSION.
 OWNERSHIP AND COPYRIGHT OF CONEC GmbH
 DO NOT ALTER CAD DRAWING BY HAND

tolerance			
2001	date	name	
drawn	12.03.	Parei	
appd.	12.03.	Mickenbecker	
norm			
d-old			
rev.	description	date	name



scale:	2:1		
material:	SEE NOTES		
title:	D-SUB HD FEMALE CRIMP-VERSION 15-62pos.		
dwg no:	CAD/	2000	DIN-A
	16K1A155A		4
product no:	SEE TABLE		
			sh: 1/1