

THIS DRAWING IS UNPUBLISHED.

RELEASED FOR PUBLICATION

SEP. 2005

© COPYRIGHT 2005

ALL RIGHTS RESERVED.

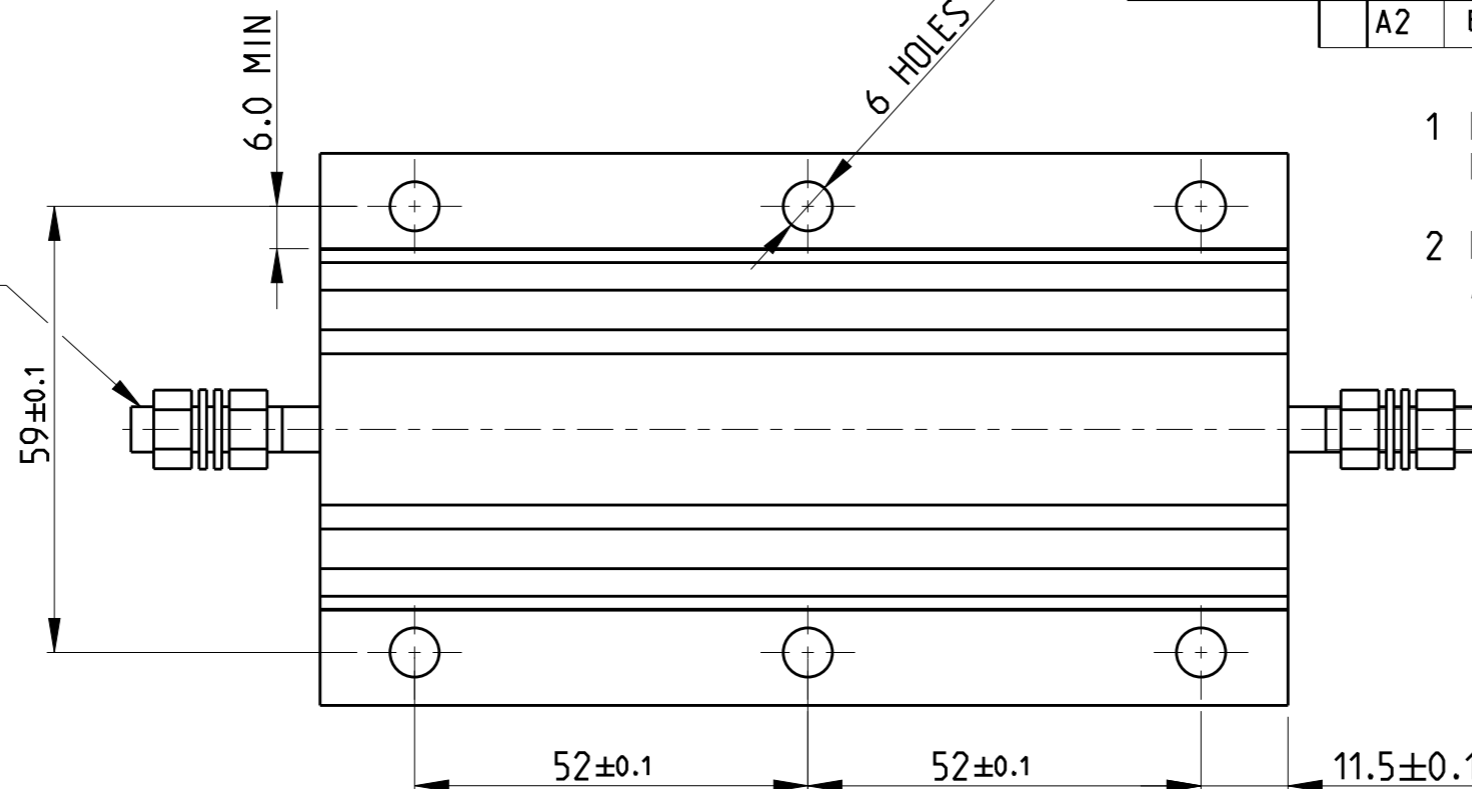
LOC	DIST
E	B

REVISIONS

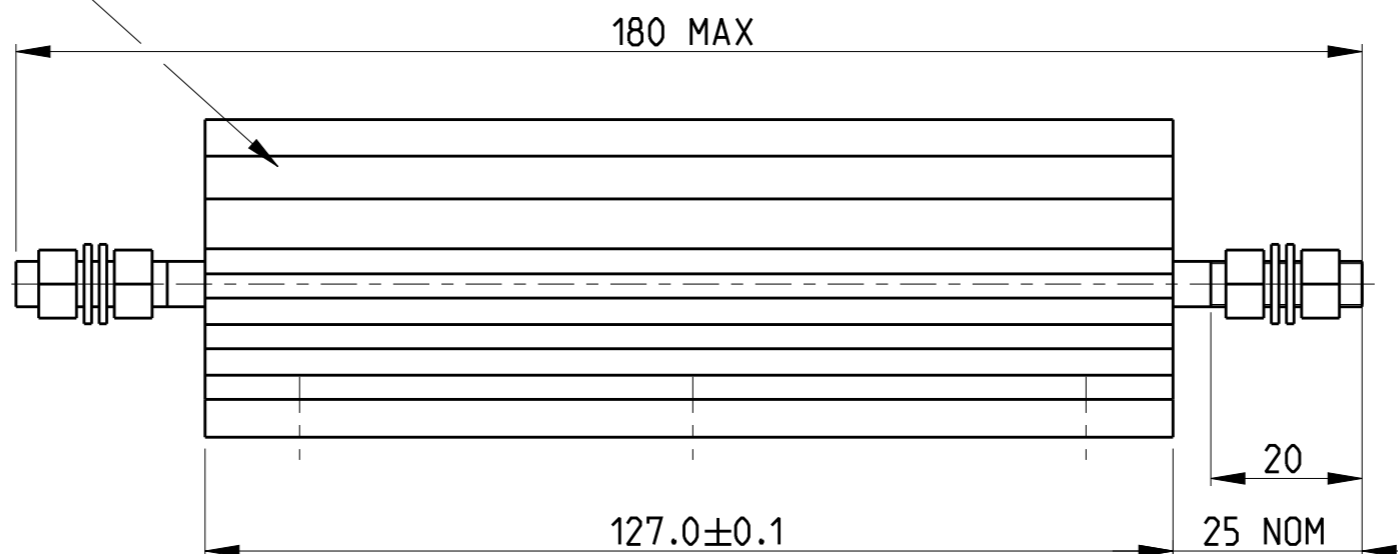
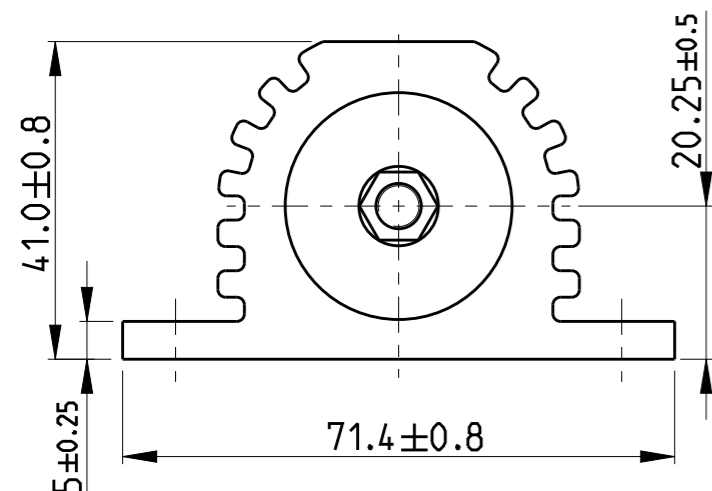
P	LTR	DESCRIPTION	DATE	DWN	APVD
A2		ECR-11-020603	07AUG2012	KR	OP

M6 ST/STEEL TERMINAL STUDS.  
EACH SUPPLIED WITH :  
2 OFF M6 ST/STEEL FULL NUTS  
2 OFF M6/STEEL PLAN WASHERS

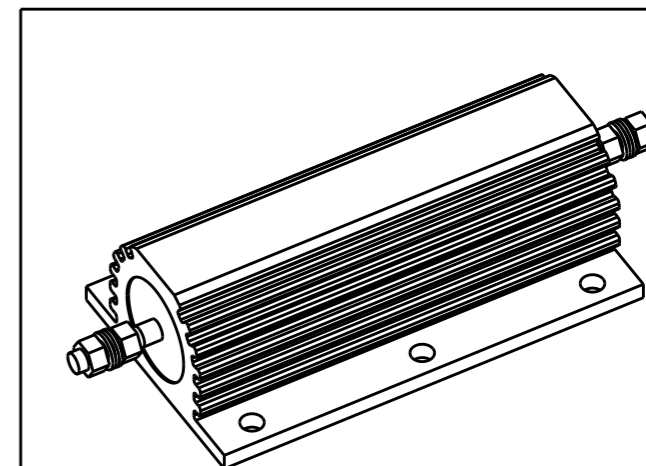
- FOR FURTHER INFORMATION SEE DATA SHEET FOR HS SERIES-ALUMINIUM HOUSED RESISTORS
- FOR A SPECIFIC PN FOR A RESISTANCE VALUE AND TOLERANCE, PLEASE REFER TO DMF



GOLD ANODISED  
ALUMINIUM HOUSINGS



RoHS Compliant



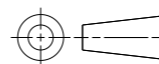
THIS DRAWING IS A CONTROLLED DOCUMENT.

DWN 28.SEP.05  
DAVE KENNEDY  
CHK 29.SEP.05  
J CATCHPOLE  
APVD 29.SEP.05  
J CATCHPOLE  
PRODUCT SPEC

**TE** TE Connectivity

DIMENSIONS:  
mm

TOLERANCES UNLESS  
OTHERWISE SPECIFIED:



0 PLC ±0.5  
1 PLC ±0.2  
2 PLC ±0.1  
3 PLC ±  
4 PLC ±  
ANGLES ±5°

MATERIAL

FINISH

WEIGHT

NAME		HSC 300		RESTRICTED TO
SIZE	CAGE CODE	DRAWING NO		
A3	00779	C-1630027		
CUSTOMER DRAWING	SCALE	SHEET	OF	REV
	1:1	1	1	A2