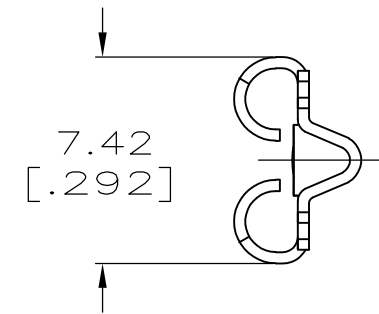
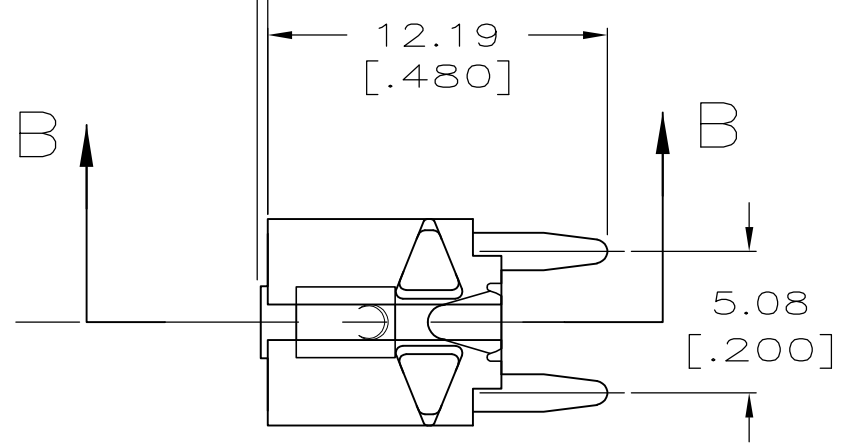


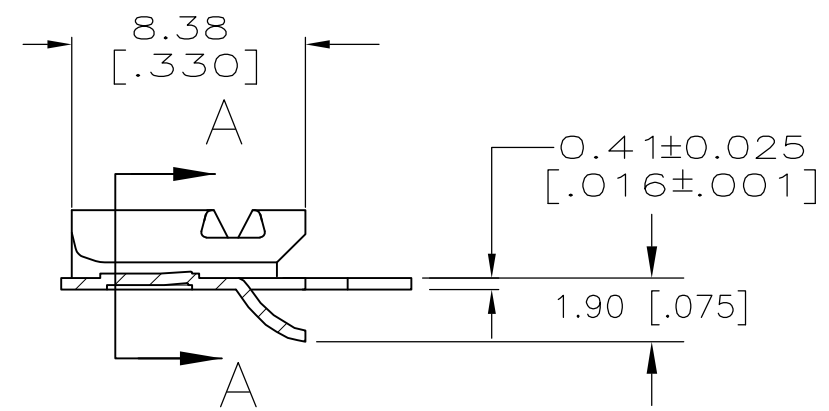
THIS DRAWING IS UNPUBLISHED. RELEASED FOR PUBLICATION -,-  
 © COPYRIGHT - By - ALL RIGHTS RESERVED.

LOC	DIST	REVISIONS			
P	LTR	DESCRIPTION	DATE	DWN	APVD
AF	50	B1	REVISED PER ECO-11-005027	12MAR11	RK HMR

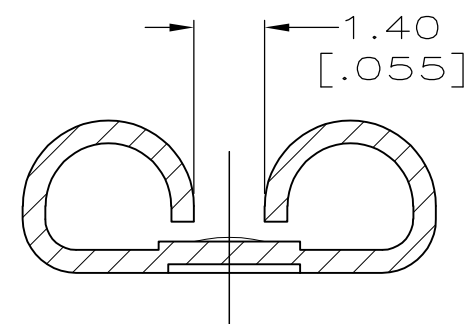
0.25 [.010]  
MAX CUT-OFF



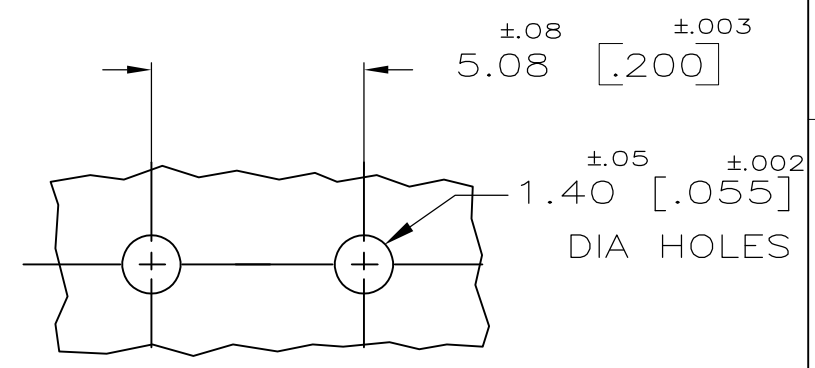
- 1 SUPPLIED IN LOOSE PIECE FORM.
- 2 0.00254 [.000100] MIN THK TIN OVER 0.00254 [.000100] MIN THK COPPER, OR OVER 0.00127 [.000050] MIN NICKEL.
- 3 MATING TAB THK IS 0.81±0.025 [.032±.001].



SECTION B-B



SECTION A-A  
SCALE 8:1



RECOMMENDED  
P.C.B. HOLES

1217080-1  
PART NO.

THIS DRAWING IS A CONTROLLED DOCUMENT.		DWN	JR RUTH	3/30/98	 TE Connectivity	NAME					
DIMENSIONS: mm[INCHES]		CHK	MS FEHER	3/30/98		RECEPTACLE, FASTON, 6.35/5.21 [.250/.205] SERIES, PC BOARD MOUNTED					
TOLERANCES UNLESS OTHERWISE SPECIFIED:		APVD	D BRATINA	3/30/98		SIZE					
0 PLC ± - 1 PLC ± - 2 PLC ± 0.25 [.010] 3 PLC ± - 4 PLC ± - ANGLES ± -		PRODUCT SPEC	-			CAGE CODE	DRAWING NO	RESTRICTED TO			
MATERIAL		FINISH		WEIGHT	A300779		C-1217080		-		
H04 BRASS		-		-		C-1217080		SCALE		SHEET	
		-		-		C-1217080		4:1		1 OF 1	
		-		-		C-1217080		CUSTOMER DRAWING		REV B1	