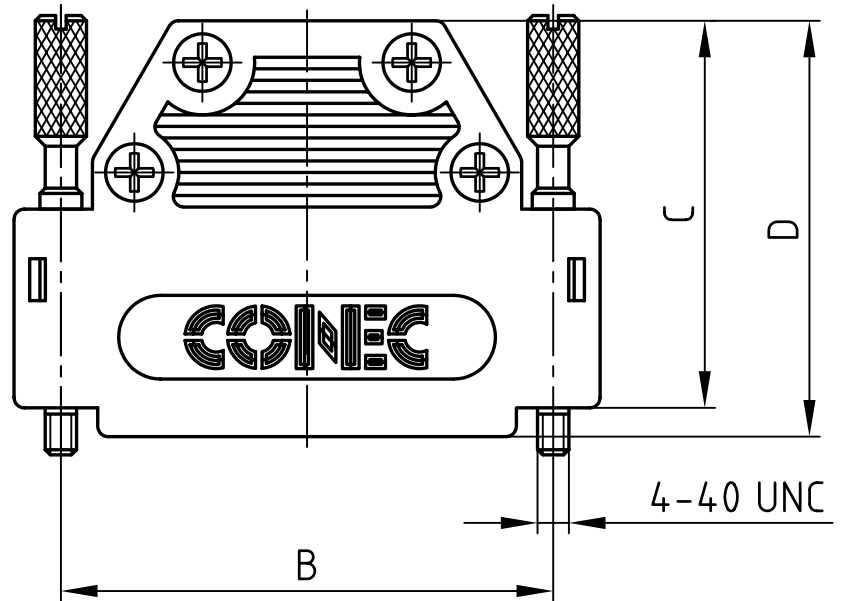
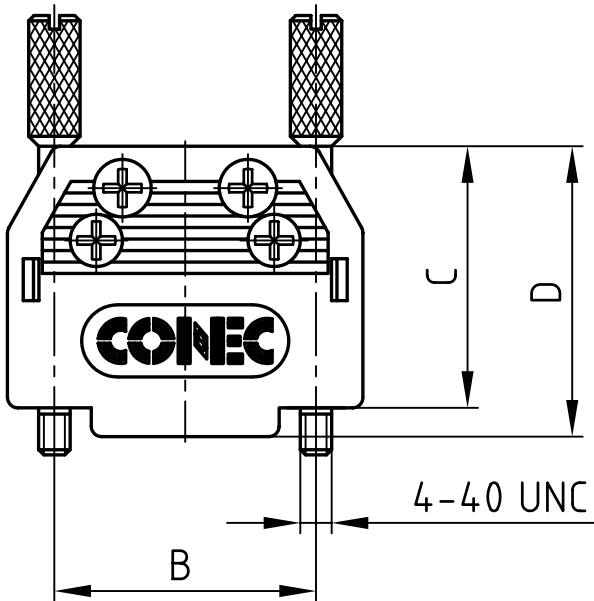
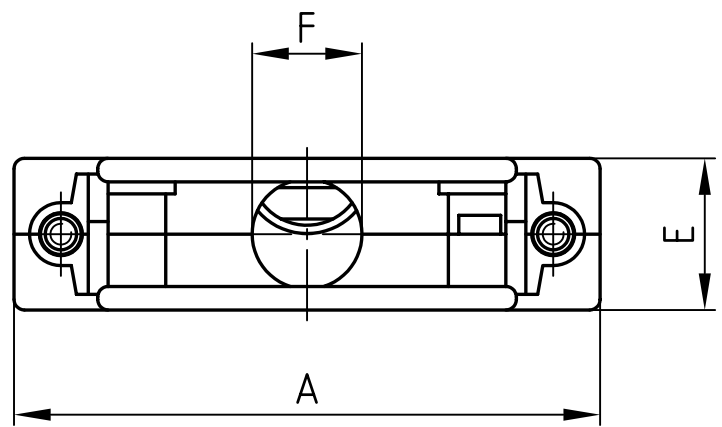
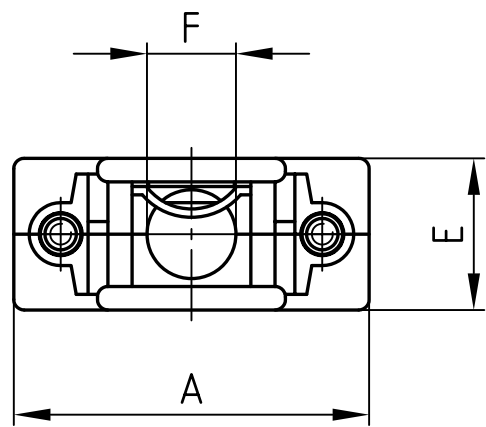


used for: D-SUB

(b) (c) 9pos.

(b) (c) 15-37pos.



(b) (c)

No. of pos.	A	B	C	D	E	F	Part No. Bulk package	Part No. Single package
9	34.0	25.00	25.0	27.75	14.5	8.5	165X10139X	165X10139XE
15	42.3	33.30	37.0	39.75	14.5	10.0	165X10149X	165X10149XE
25	56.0	47.04	37.0	39.75	14.5	10.5	165X10159X	165X10159XE
37	72.5	63.50	37.0	39.75	14.5	10.5	165X10169X	165X10169XE



APPROVAL # FREIGABE # DEBLOCAGE # AUTORIZACION # APPROVAL

CUSTOMER APPROVAL DATE:

NAME: TITLE:

COMPANY NAME:

APPROVAL # FREIGABE # DEBLOCAGE # AUTORIZACION # APPROVAL

(b) (c) NOTES:

- HOOD: POLYAMID + GF / BLACK
- JACKSCREW: BRASS; NICKEL PLATED
- STRAIN RELIEF: STEEL; NICKEL PLATED
- PAN-HEAD SCREW: STEEL; NICKEL PLATED
- COUNTERSUNK-HEAD SCREW: BRASS; NICKEL PLATED

THIS DRAWING MAY NOT BE COPIED OR REPRODUCED IN ANY WAY, AND MAY NOT BE PASSED ON TO A THIRD PARTY WITHOUT WRITTEN PERMISSION.
 OWNERSHIP AND COPYRIGHT OF CONEC GmbH
 DO NOT ALTER CAD DRAWING BY HAND

tolerance		dim. in mm		scale: 1:1	
material:		SEE NOTES		title:	
2004		date		name	
drawn		08.01.		Lehmenkühler	
appd.		08.01.		Kühle	
norm					
4 x c		Ä 3418		31.08.2009 Lehmen.	
5 x b		Ä 3405		19.08.2009 Lehmen.	
a		Origin			
rev.		description		date	
name					



material:		SEE NOTES	
title:		PLASTIC HOOD 9-37pos. straight cable exit, jack screws	
dwg no:		AutoCAD 2000	
part no:		SEE TABLE	
DIN-A		4	
sh:		1/1	

4

3

2

1