



16PT8520X

10/100 BASE-T TRANSFORMER

Feature



- Designed for 10/100 MB/s transmission over UTP-5 cable.
- Tested & qualified for use with national semiconductor's DP83840 Ethernet 10/100 PHY chip.
- Cable interface for isolation and low common mode emissions.
- 16-PIN DIP package for economic cost.
- Operating temperature range: 0°C to +70°C.
- Storage temperature range: -25°C to +105°C.

Electrical Specifications @ 25°C

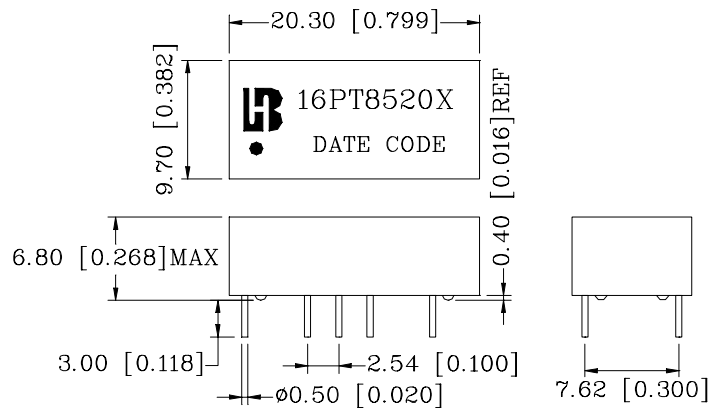
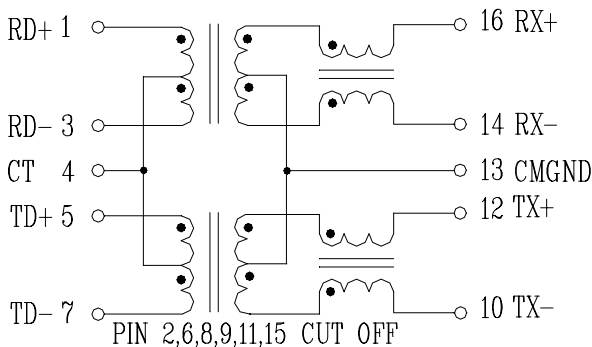
Part Number	Turns Ratio (±5%)		OCL (uH Min) @100KHz/0.1V with 8mA DC Bias	C _{w/w} (pF Max)	L.L. (uH Max)	DCR (Ω Max)	HI-POT (Vrms)
	TX	RX					
16PT8520X	1CT:1CT	1CT:1CT	350	50	0.6	0.9	1500

Continue

Part Number	Insertion Loss (dB Max)	Return Loss (dB Min)				Cross talk (dB Min)	DCMR (dB Min)
		30MHz	40MHz	50MHz	60-80MHz		
16PT8520X	-0.8	-16	-15	-13	-11	-35	-30

Schematic

Mechanical



Units: mm[Inches] Tolerances: xx.x0±0.25[0.010]
0.xx±0.05[0.002]