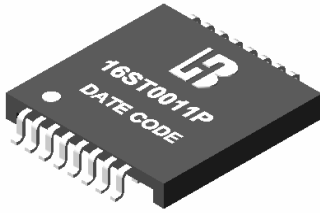


10/100 BASE PCMCIA TRANSFORMER

P/N: 16ST0011P DATA SHEET

Feature

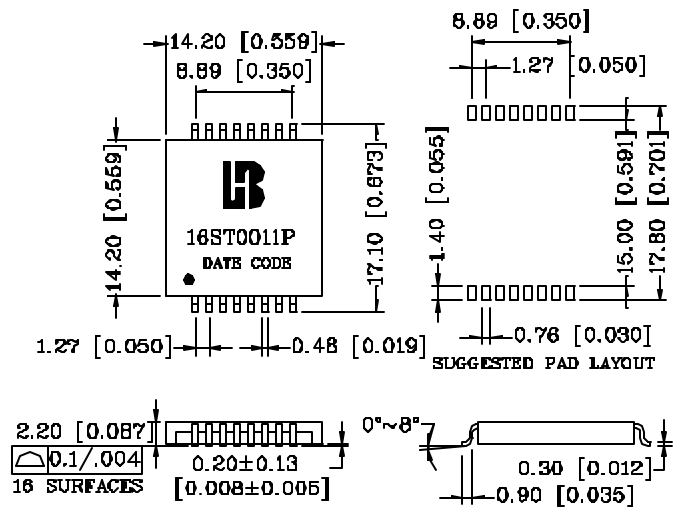
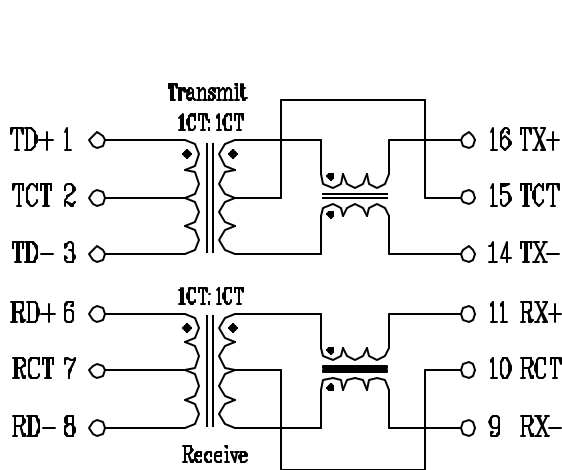


- Design for 10/100 MB/s TX&ATM 155MB/s APPLICATION.
- MANSI X3.236-1995 TP-PMD 100Base-TX ATM 155Mbps UNI and IEEE 802.3i specifications.
- Very low profile PCMCIA/PC card SMD package.
- Operating temperature range:0°C to +70°C.
- Storage temperature range:-25°C to +125°C.

Electrical Specifications @ 25°C								
Part Number	Turns Ratio (±5%)		Cross talk (dB Min)			HI-POT (Vrms)		
	RX	TX	30MHz	62MHz	100MHZ			
16ST0011P	1CT:1CT	1CT:1CT	-40	-40	-35	1500		
Continue								
Part Number	Insertion Loss (dB Max)	Return Loss (dB Min)			DCMR TX/RX(dB Min)			
		30MHz	60MHz	80MHz	30MHz	50MHz	100MHz	150MHz
16ST0011P	-1.3	-16	-12	-11	-15	-18	-20	-20

Schematic

Mechanical



Units: mm[Inches] Tolerances: xx.x0±0.25[0.010]
0.xx±0.05[0.002]