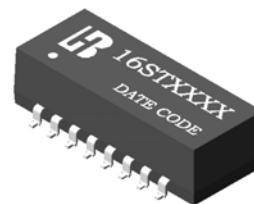


100 BASE PULSE TRANSFORMER (SMD)

462 Boston St - Topsfield, MA 01983 - Phone: 978-887-8050 - Fax: 978-887-5434

- Designed for 100MB/s and 155 MB/s transmission over UTP-5 and STP cable.
- Cable interface for isolation and low common mode emissions.
- Fully integrated modules for multiport concentrators and adapter card applications.
- 16-PIN SMD Package, pick and place compatible.
- Storage temperature range: -40°C to +125°C.



Electrical Specifications @ 25°C Operating Temperature range: 0°C to +70°C

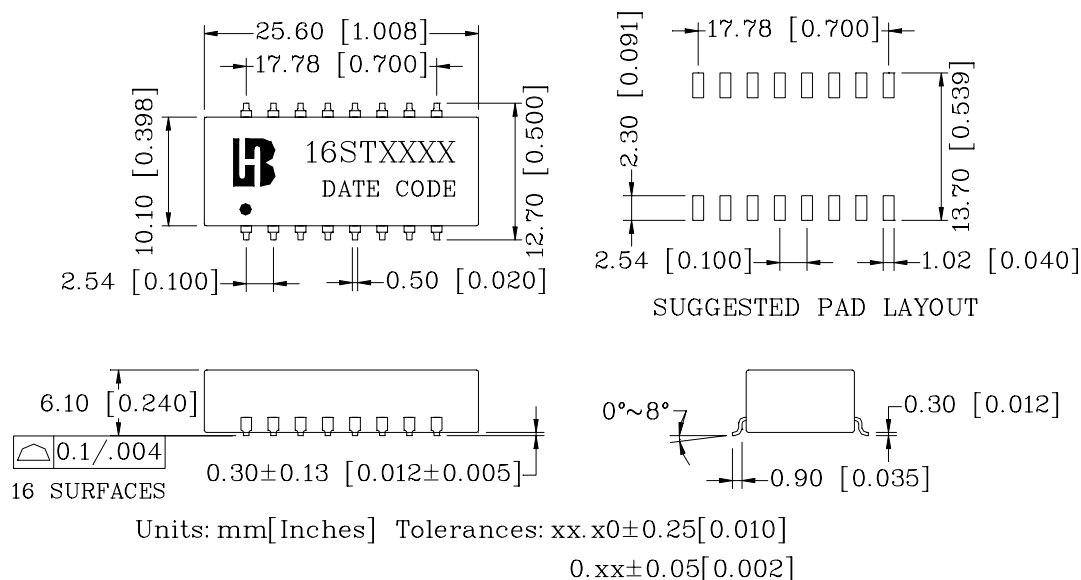
Isolation Voltage : 1500Vrms

Primary OCL inductance :350 μ H Min @ 100KHz/0.1Vrms,8.0mA/DC

Part Number	Insertion Loss (dB Max)	Return Loss (dB Min)TX/RX					Cross talk (dB Min)		Differential to Common Mode Rejection(dB Min)	
		0.3~100MHz	30MHz	40MHz	50MHz	60MHz	80MHz	0.3-60MHz	60-100MHz	0.3-60MHz
16ST8511	-1.15	-16	-14	-13.5	-13	-12	-40	-38	-45/-40	-40/-35
16ST8517	-1.15	-16	-14	-13.5	-13	-12	-40	-38	-45/-40	-40/-35
16ST8517-1	-1.15	-16	-14	-13.5	-13	-12	-38	-30	-	

Part Number	Turn Ratio ($\pm 5\%$)		L.L (uH Min)	CW/W (pF Max)	Rise time 10-90%(ns Typ)	Primary DCR TX/RX (Ω Max)
	Transmit	Receive				
16ST8511	1CT:1	1CT:1CT	-	-	2.5	-
16ST8517	1CT:1CT	1CT:1CT	0.6	28	2.5	0.9
16ST8517-1	1CT:1	1CT:1CT	0.6	28	-	0.9

Mechanicals

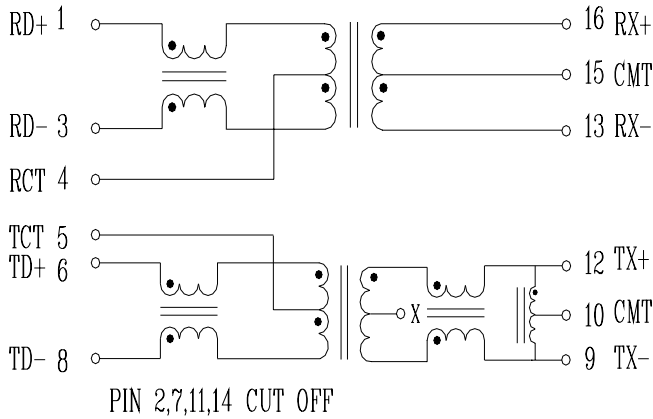


100 BASE PULSE TRANSFORMER (SMD)

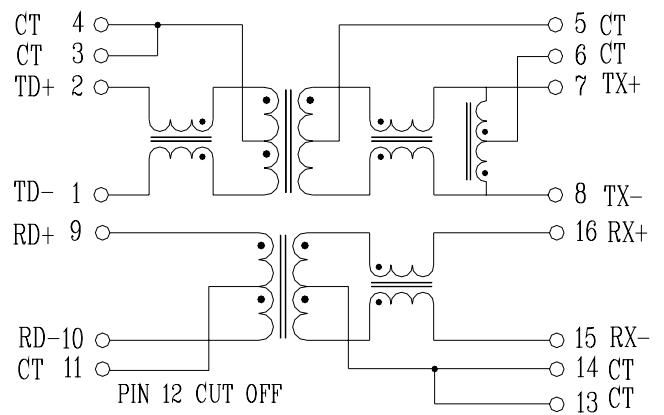
462 Boston St - Topsfield, MA 01983 - Phone: 978-887-8050 - Fax: 978-887-5434

Schematics

16ST8511



16ST8517



16ST8517-1

