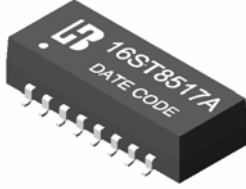


10/100 BASE-T TRANSFORMER

P/N:16ST8517A DATA SHEET

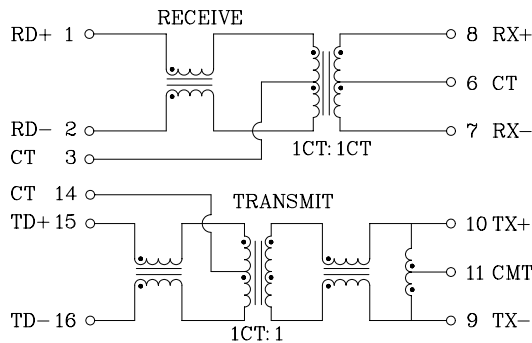
Feature



- Compatible with Broadcom, ICS, Intel, Kendin, Lucent, National Semiconductor and TDK Transceivers.
- Meets all IEEE 802.3 and ANSI X3.263 standards including 350 uH OCL with 8 Ma bias.
- IC grade transfer-molded package withstands 235 • IR reflow.
- Patented Interlock Base construction for high reliability .
- Storage temperature range: -25°C to +125°C.
- Operating Temperature range: 0°C to +70°C.

Electrical Specifications @ 25°C											
Part Number	Turns Ratio (±5%)		OCL (uH Min) @ 100KHz/0.1Vrms with 8mA/DC Bias			CW/W (pF Max)	L.L (uH Max)	Rise Time (10-90%) nS TYP	Voltage Isolation (Vrms)		
	TX	RX									
16ST8517A	1CT:1	1CT:1CT	350			28	0.6	2.5	1500		
Continue											
Part Number	Insertion Loss (dB Max)	Return Loss (dB Min)				Cross talk (dB TYP)		Differential to Common Mode Rejection TX/RX(dB Min)			
	0.3-100 MHz	1-30MHz	40MHz	50MHz	60-80MHz	0.3-60MHz	60-100MHz	30MHz	60MHz	100MHz	
16ST8517A	-1.0	-16	-13.5	-11.5	-10	-40	-30	-42/-42	-38/-36	-35/-32	

Schematic



Mechanical

