

**P/N:16ST8521BX DATA SHEET****Feature**

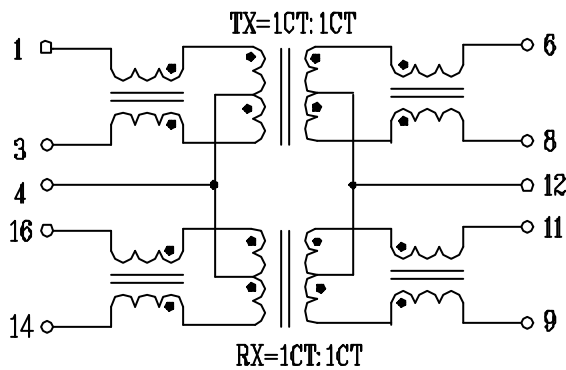
- Designed to meet IEEE802.3u requirement.
- Symmetrical TX and RX channels for Auto MDI/MDIX capability.
- Operating temperature range:0 to +70 .
- Storage temperature range:-25 to +125 .

**Electrical Specifications @ 25° C**

Part Number	Turns Ratio (±5%) TX/RX	PRI OCL (uH Min) @100KHz/0.1V with 8mA DC Bias	HI-POT (Vrms)
16ST8521BX	1CT:1CT	350	1500

**Continue**

Part Number	Insertion Loss (dB Max)	Return Loss (dB Min)				Cross talk (dB Min)	DCMR (dB Min)
	0.3-100MHz	0.5-30Mz	40MHz	50MHz	60-80MHz	0.3-100MHz	0.3-100MHz
16ST8521BX	-1.1	-16	-15	-13	-11	-35	-30

**Schematic****Mechanical**