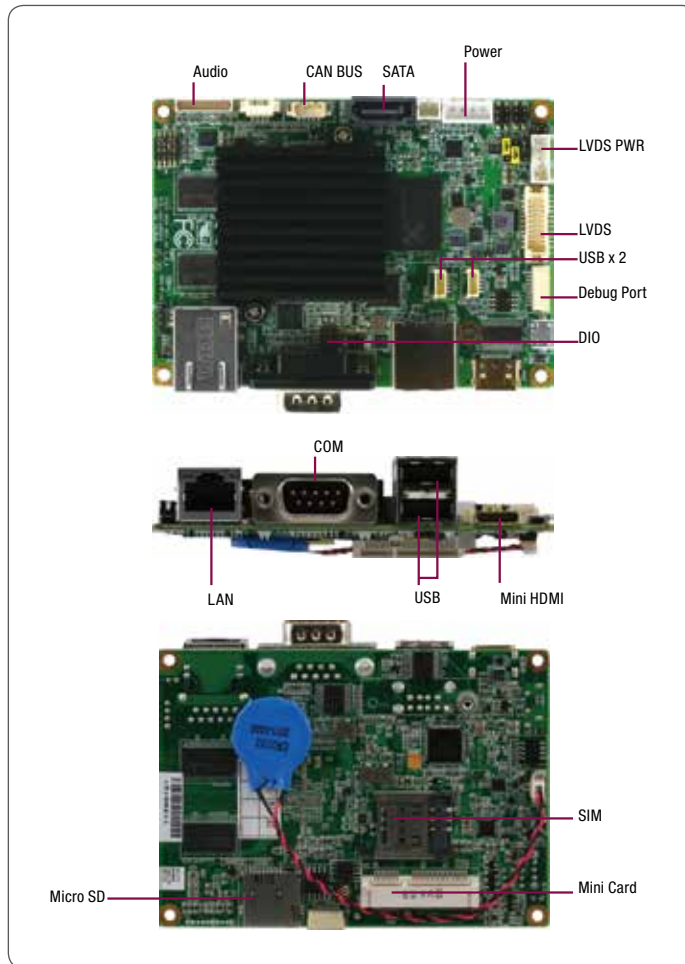


# PICO-IMX6

Pico-ITX Fanless board with Freescale® ARM Cortex-A9 i.MX6 SoC



## Features

- Freescale® i.MX6 Quad Automotive/DualLite Commercial Processor
- Onboard DDR3 Memory 1 GB
- Gigabit Ethernet x 1
- 18-bit Single-Channel LVDS, Mini HDMI
- High Definition Audio Interface
- SATA x 1, MicroSD Slot, eMMC (Optional, up to 16GB)
- USB2.0 up to 4, USB OTG x 1, Mini-PCIe x 1, CANBus
- +12V Power Input



I/O	
Storage	SATA (optional), onboard eMMC (optional)
Serial Port	4-Wire UART x 2 (one for debug port)
USB	USB 2.0 x 1 (up to 4), USB OTG x 1
Digital I/O	8-bit Digital I/O (Programmable)
Audio	MIC-In, Speaker-out
CAN Bus section	CAN Bus x 1

## Specifications

System	
Form Factor	Pico-ITX
Processor	Freescale® i.MX6 Quad/Dual Lite
System Memory	DDR3 1 GB
Chipset	Freescale i.MX6 Quad/Dual Lite
I/O Chipset	—
Ethernet	AR8033, Gigabit Ethernet Controller, RJ-45 x 1
Watchdog Timer	—
H/W Status Monitoring	Yes
Expansion Interface	Mini-Card Slot with SIM (option)
Power Requirement	+12V, AT or ATX
Power Consumption (Typical)	Quad: 0.6A@12V, full load
Board Size	3.94" x 2.75" (100mm x 72mm)
Gross Weight	0.88 lb (0.4 kg)
Operation Temperature	32°F ~ 140°F (0°C ~ 60°C)
Storage Temperature	-40°F ~ 176°F (-40°C ~ 80°C)
Operation Humidity	0% ~ 90% relative humidity, non-condensing
MTBF (Hours)	—
Display	
Chipset	Freescale i.MX6
Memory	Shared memory: 512 MB/ DVMT 5.0
Resolution	HDMI: 1920 x 1080 LCD up to 1024 x 768
LCD Interface	18-bit single channel LVDS LCD

## Packing List

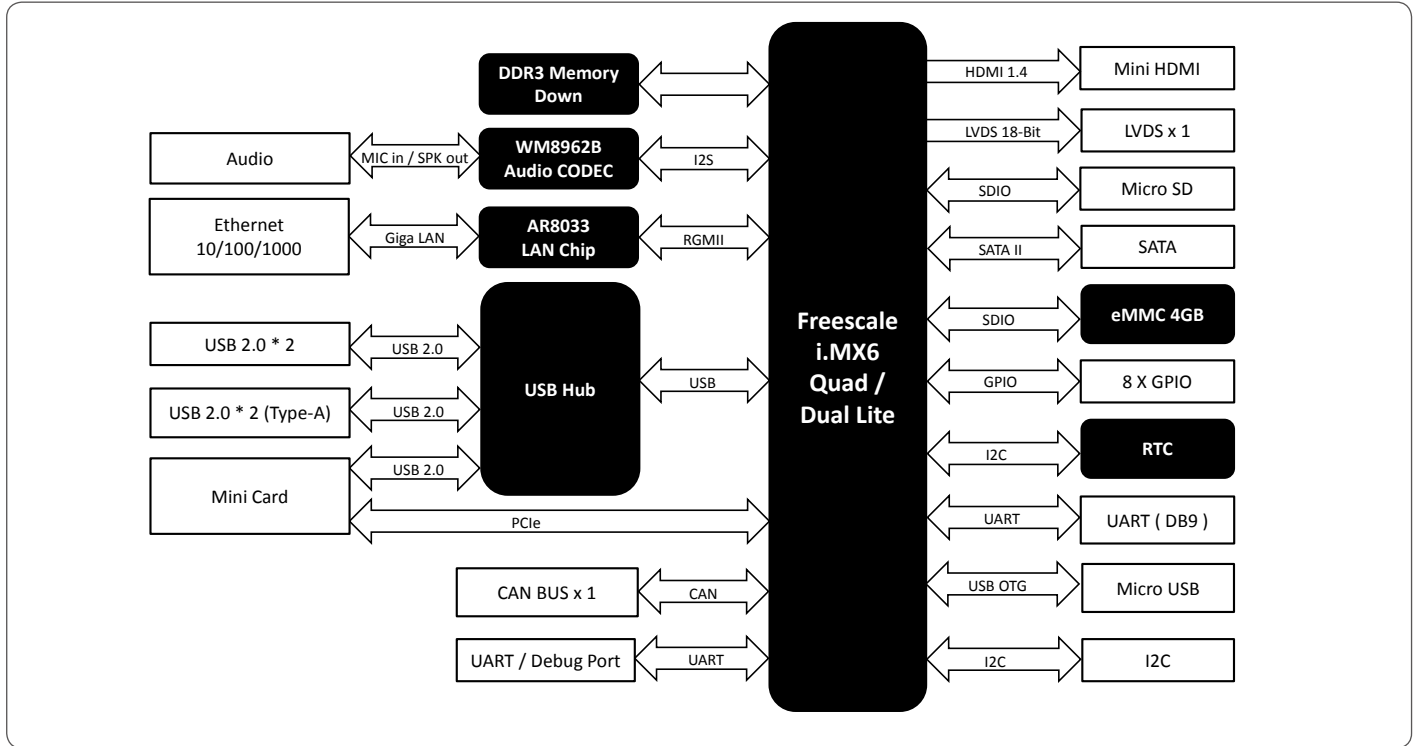
- PICO-iMX6
- DVD
- 170204010S  
Power Cable
- 1701090152  
UART Cable

## Optional Accessories

- 1700100129  
Audio Cable
- 1701090152  
UART Cable
- 170005020L  
Internal USB

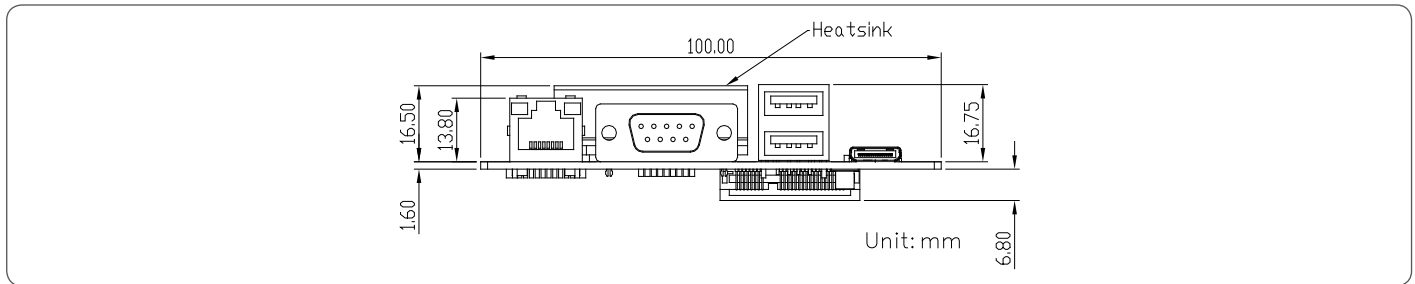
# PICO-IMX6

## Block Diagram



## Dimension

Unit: mm



## Ordering Information

Part Number	Form Factor	CPU	Memory	Display	LVDS	Storage	LAN	USB	UART	Expansion	Power	Temp.	Others
PICO-IMX6-A10-0001	PICO ITX	Freescale i.MX6 Quad Automotive Grade	Onboard 1GB DDR3L	miniHDMI	18b 1Ch	SATA x 1, 4GB onboard eMMC, Micro SD card	GbE x1	USB2.0 x 4 USB OTG x 1	4-wire x 2	MiniCard slot x 1	12V	0°C ~ 60°C	CAN bus x1, GPIO x 8, I2C x 1
PICO-IMX6-A10-0002	PICO ITX	Freescale i.MX6 Dual Lite Consumer Grade	Onboard 1GB DDR3L	miniHDMI	18b 1Ch	Micro SD card	GbE x1	USB2.0 x 1 USB OTG x 1	4-wire x 2	—	12V	0°C ~ 60°C	CAN bus x1, GPIO x 8, I2C x 1