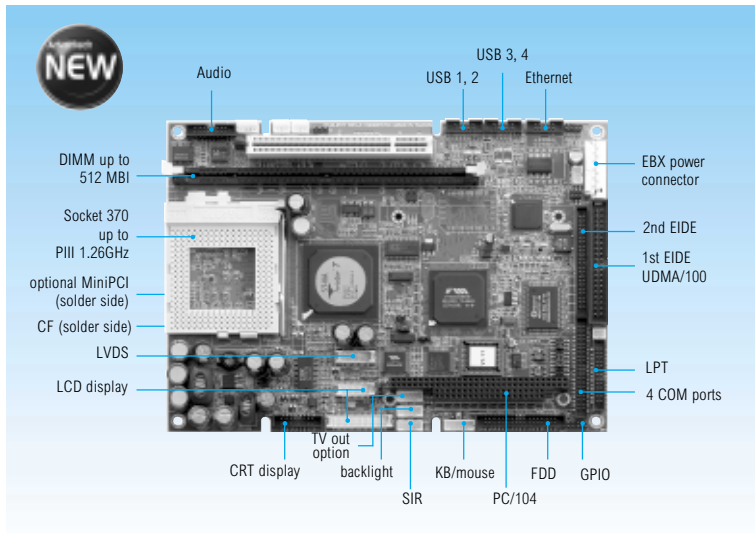


PCM-9577

Socket 370 SBC with Gigabit LAN, USB2.0, VGA/LCD and Audio



Features

- Socket 370 supports up to Pentium® III/512K 1.26GHz
- Supports Gigabit Ethernet (PCM-9577FG)
- Supports Embedded USB, 4 USB 2.0 ports (PCM-9577FG)
- 133MHz FSB and 4X AGP graphics for high performance application
- Supports 24/36 bit TFT/DSTN LCD and 2-channel LVDS interface
- Optional TV-out and Mini PCI for WLAN applications

System

CPU	Socket 370 for Intel® Celeron™/Pentium® III/512K (Tualatin) up to 1.26GHz
System Memory	SDRAM PC133 168pin DIMM x 1, Max. 512 MB
2nd Cache Memory	128KB/256KB/512KB on the processor
System Chipset	VIA PN133T (VT8606, VT82C686B), 133MHz FSB
BIOS	AWARD 256 KB Flash BIOS
SSD	CompactFlash™ card Type I/II
Watchdog Timer	1 - 62 sec, 62 level timer intervals, system reset or IRQ11
Expansion Interface	PC/104 and PCI slot
Battery	Lithium 3 V/196 mAH

I/O

MIO	2 x EIDE (Ultra DMA100), 1 x FDD, 1 x K/B, 1 x Mouse, 1 x RS-232/422/485, 3 x RS-232, 1 x LPT
IrDA	115 Kbps, IrDA 1.1 compliant
Audio	VIA 82C686 support AC'97 2.0 compliant, Mic in, Line in, CD Audio in, Line out, Speaker out
USB	4 USB 1.1 host port (PCM-9577F) 4 USB 2.0 host ports, support embedded USB Type I Flash memory, shared with USB port 3 and port4(PCM-9577FG)

Ethernet

Chipset	Intel® 82551ER [Intel® 82551QM optional] (PCM-9577F) Intel® 82540EM (PCM-9577FG)
Interface	IEEE 802.3u 100BASE-T Fast Ethernet compatible (PCM-9577F) EEE 802.3z/ab 1000 BASE-T Gigabit Ethernet compatible (PCM-9577FG) Built-in boot ROM in Flash BIOS

Display

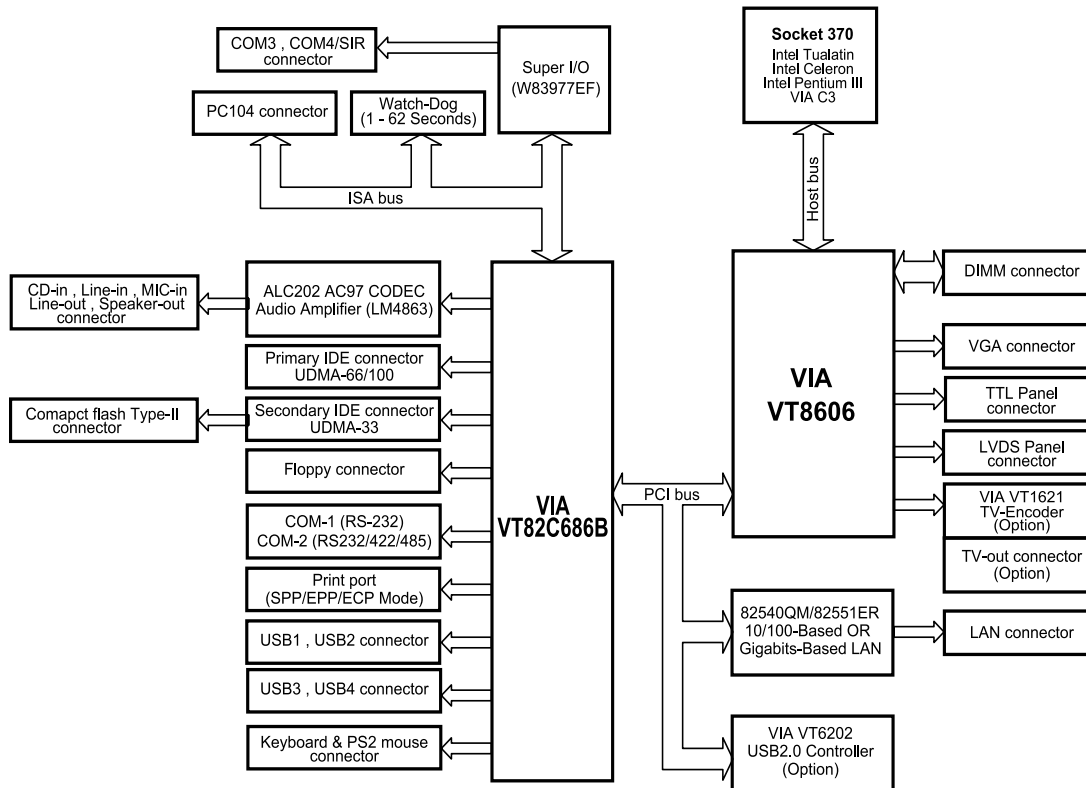
Chipset	VIA Twister chip with Integrated S3 Savage4 2D/3D/Video Accelerator
Memory Size	8/16/ 32 MB frame buffer using system memory
Resolution	CRT Mode: 1280 x 1024@16 bpp (60 Hz), 1024 x 768@16 bpp (85 Hz) LCD/Simultaneous Mode: 1280 x1024@16bpp (60 Hz), 1024 x 768@16 bpp (60 Hz)
LCD Interface	4X AGP VGA/LCD interface, Support for 9, 12, 18, 24, 36,48-bit TFT and 16 or 24-bit DSTN panels up to SXGA resolution.
LVDS	2-Channel (2 x 18-bit) LVDS interface
TV-out (option)	Supports both NTSC/PAL, S-video and Composite Video

Mechanical and Environmental

Dimensions (L x W)	203 X 146mm (8" x 5.75")
Power supply Voltage	+5V ±5%, +12V ±5% Max. : 10A @ +5V, 1.02A @ +12V (within 5ms after power on) Typical: 5.6A @ +5V, 0.17A @ +12V (with 256 MB DRAM, Intel®)
Operating temperature	0 - 60° C (32-140° F)
Operating Humidity	0% - 90% Relative Humidity, non condensing
Weight	0.85 kg (weight of total package)

PCM-9577

Board Diagram



Packing List

• 1 PCM-9577 SBC	
• 1 Mini Jumper pack [conts.: 10pcs]	(p/n: 9689000002)
• 1 CPU heatsink with FAN	(p/n: 1759200880)
• Start up manual	
• Utility CD	
• EBX 7P-4P power cable	(p/n: 1703080101)

Ordering Information

Standard	
PCM-9577F-00A1	Socket 370 SBC W/ 100 BASED LAN, VGA/LCD, LVDS, USB 1.1
PCM-9577FG-00A1	Same as PCM-9577F-00A1, but with Gigabit Ethernet and USB2.0
Optional	
PCM-10586-5A00	Wiring kit for PCM-9575/PCM-9677F
PCM-10586-5G00	Wiring kit for PCM-9577FG (Gigabit LAN)
1703100260	USB cable for PCM-9570/9572F/9574/9576F/ 9550F/9575
CF-HDD-ADP	CompactFlash™ 50-pin to IDE 44-pin adapter
1703070101	ATX power control cable
1703050306	TV-out cable