

**PLEASE CHECK WWW.MOLEX.COM FOR LATEST PART INFORMATION**

**Part Number:** [1703281500](#)  
**Status:** **Active**  
**Overview:** [zQSFP+® Interconnect System](#)  
**Description:** Heat Sink Clip for zQSFP+ Stacked Integrated Connector

**Documents:**

[Drawing \(PDF\)](#) [Product Literature \(PDF\)](#)  
[RoHS Certificate of Compliance \(PDF\)](#)

**General**

Product Family	EMI Cages
Series	<a href="#">170328</a>
Application	N/A
Component Type	Clip
Overview	<a href="#">zQSFP+® Interconnect System</a>
Product Literature Order No	987650-5391
Product Name	zQSFP Plus, zQSFP+
UPC	191128038539

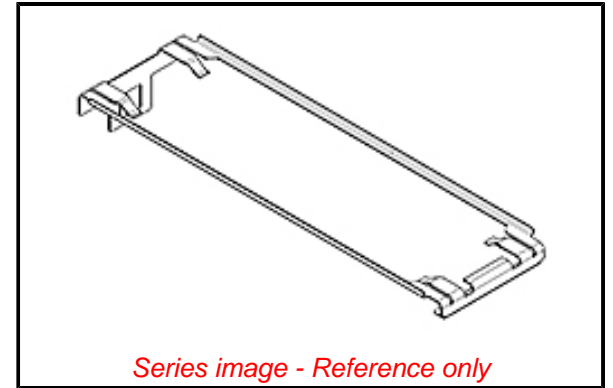
**Physical**

EMI Panel / Bezel Mount	N/A
Light Pipes per Port	N/A
Material - Metal	Stainless Steel
Net Weight	0.750/g
Orientation	Horizontal
Packaging Type	Tray
Port Configuration	N/A
Rear Legs	N/A
Thermal Height	N/A
Thermal Solutions	N/A

**Material Info**

**Reference - Drawing Numbers**

Sales Drawing	SD-170328-1500
---------------	----------------



**EU ELV**

**Compliant**

**EU RoHS**

**Compliant**

**REACH SVHC**

Not Contained Per -  
ED/30/2017 (7 July  
2017)

**Halogen-Free**

**Status**

**Low-Halogen**

**Need more information on product  
environmental compliance?**

Email [productcompliance@molex.com](mailto:productcompliance@molex.com)  
Please visit the [Contact Us](#) section for any  
non-product compliance questions.

China ROHS

ELV

RoHS Phthalates

Green Image

Compliant

Not Contained

**Search Parts in this Series**

[170328 Series](#)

**Use With**

zQSFP+ Stacked Integrated Connectors  
[171722-1062](#) , [171722-2062](#) , [171722-3062](#)