

Features

- 21.5" Full HD (1920 x 1080) Fanless TFT LCD Display
- Easy-To-Clean: Multi-Touch Window Design (Two-Point)
- IP-65 Front Bezel & IPx1 Back Chassis
- Anti-Scratch Surface (7H Hardness)
- Smart Card Reader, RF ID, MSR, Skype Phone Support



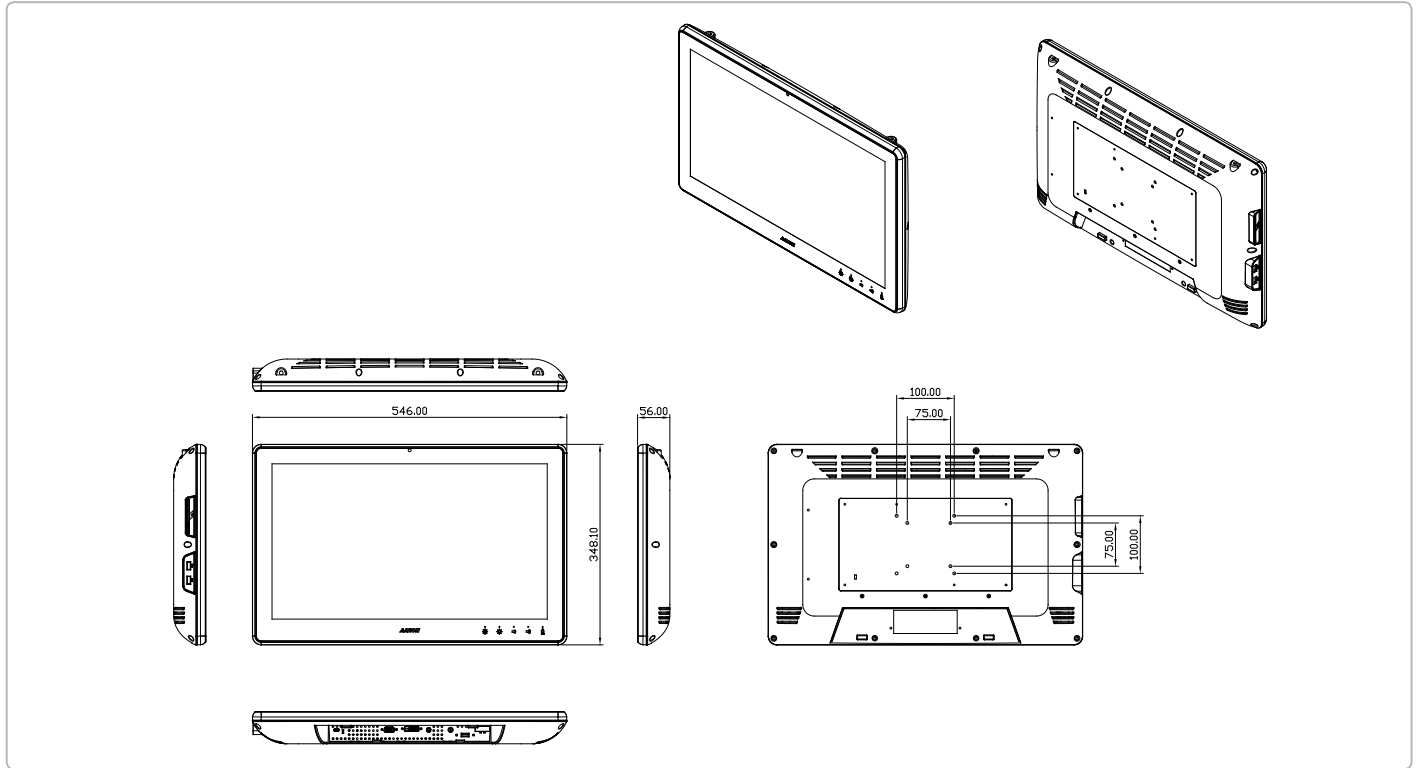
Specifications

System	
Input Signal	VGA/ DVI
On Screen Display Control	Menu, Auto, LCD On/Off, Up, Down
I/O Connector	USB x 3 (2 on side; 1 on rear), VGA/DVI x 1, Mini-USB x 1 (for T/S), Line-out x 1, 2W speaker x 2
OS Support	Windows® XP (T/S: Single point), Linux Fedora (T/S: Single point), Windows® 7 (T/S: Multi-point)
Mechanical	
Construction	IP-65/ NEMA4 for plastic front bezel, IPx1 for plastic chassis
Mounting	VESA 75/100
Dimension	21.5" x 13.7" x 2.34" (546mm x 348.1mm x 59.4mm)
Carton Dimension	26" x 19.52" x 7.87" (661mm x 496mm x 200mm)
Gross Weight	15.4 lb (7 kg)
Net Weight	11.66 lb (5.3 kg)
Environmental	
Operating Temperature	32°F ~ 104°F (0°C ~ 40°C)
Storage Temperature	-4°F ~ 140°F (-20°C ~ 60°C)
Storage Humidity	10%~95% @ 40°C; non-condensing
Vibration	1 g rms/ 5~500Hz/ Random operation
Shock	15 G peak acceleration (11 msec. Duration)
EMC	CE/FCC Class A
Power Supply	
DC Input	DC 12V, w/ AC power adapter w/ lock (in package)
LCD	
Display type	21.5" TFT-LCD, LED
Max Resolution	1920x 1080
Max. Colors	16.7M colors (6/8-bit for R,G,B)
Luminance	250 cd/m²
Viewing Angle	170°(H)/160°(V)
Back Light	LED
Back Light MTBF (hours)	50,000
Touchscreen	
Type	Projected Capacitive Multi-Touch (Window® 7)
Light Transmission	90%

ACD-521D

Dimension

Unit: mm



Ordering Information

- **ACD-521DHTT-A2-1010**
21.5" Infotainment Multi-Touch Display

Optional Accessories

- **1700151806**
VGA Cable, 180cm
- **1709051000**
Mini-USB to USB Type A for Touch Screen
- **1700011802**
Audio Cable 3.5mm, 180cm
- **1700251802**
DVI Cable 25P, 180cm