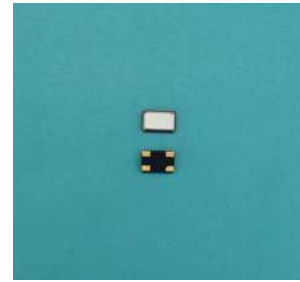


OSC50324P-26.000MHZ

Features

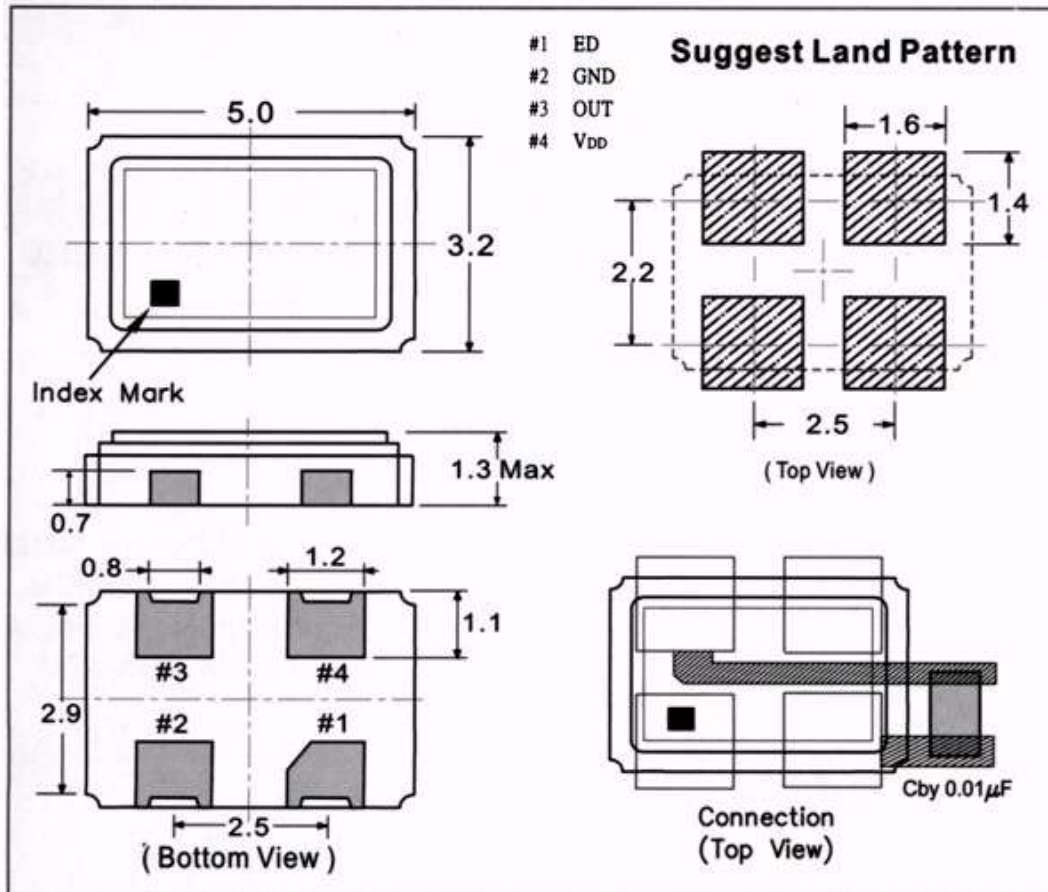
- Low power supply voltage (1.8V)
- LVPECL output level.
- Supports a WIDE FREQUENCY RANGE (32.768KHZ to 160 MHz)
- Low phase jitter: Max, 1ps
- Compact with dimensions of 5.0*3.2*1.2mm.



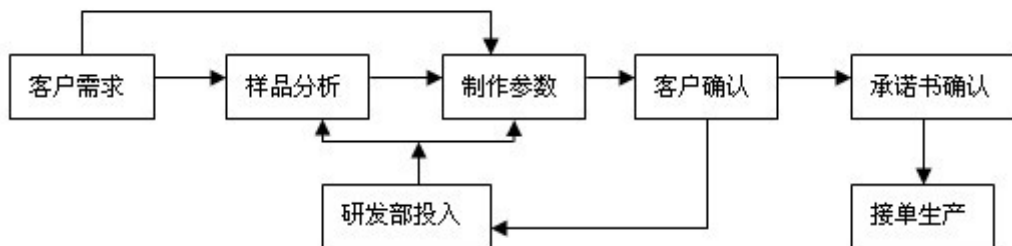
Specifications

| 项目Item | 技术Specifications | |
|--------------------------|-----------------------------------------------------------------------------|----------------------------------------------------------------------------------------------------------|
| 频率范围Freq. Range | 26.000MHZ | |
| 频率稳定性Frequency Stability | $\pm 10\text{PPm}$ $\pm 20\text{PPm}$ $\pm 30\text{PPm}$ $\pm 50\text{PPm}$ | |
| 工作温度Operaing Temp | -20°C to 70°C -40°C to 85°C | |
| 储存温度Storage Temp | -40°C to 85°C -55°C to 125°C | |
| 输入电压Input | +5Vdc $\pm 10\%$ or +3.3Vdc $\pm 10\%$ +1.8Vdc $\pm 10\%$ | |
| 占空比 Symmetry | 40/60 Standard | |
| 输出Output Load | 10 TTL or 15PF HCMOS | |
| 消耗电流 | Current Consumption 15pf only) (5.0V) | 1.000MHZ - 36.000MHZ = 25mA max 36.000MHZ - 70.000MHZ = 60mA max 70.000MHZ - 150.000MHZ = 80mA max |
| | Current Consumption 15pf only) (1.8V, 2.5V, 2.85V, 3.3V) | 1.000MHZ - 36.000MHZ = 20mA max 36.000MHZ - 70.000MHZ = 40mA max 70.000MHZ - 150.000MHZ = 60mA max |
| | | |
| | | |
| 上升/下降时间Rise/Fall Time | 10nS max | |

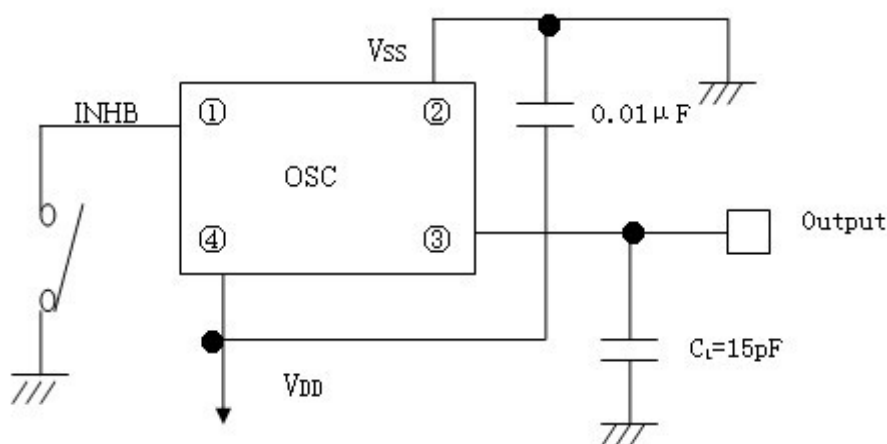
Dimensions



Ordering Information



使用电路图和引出端功能说明

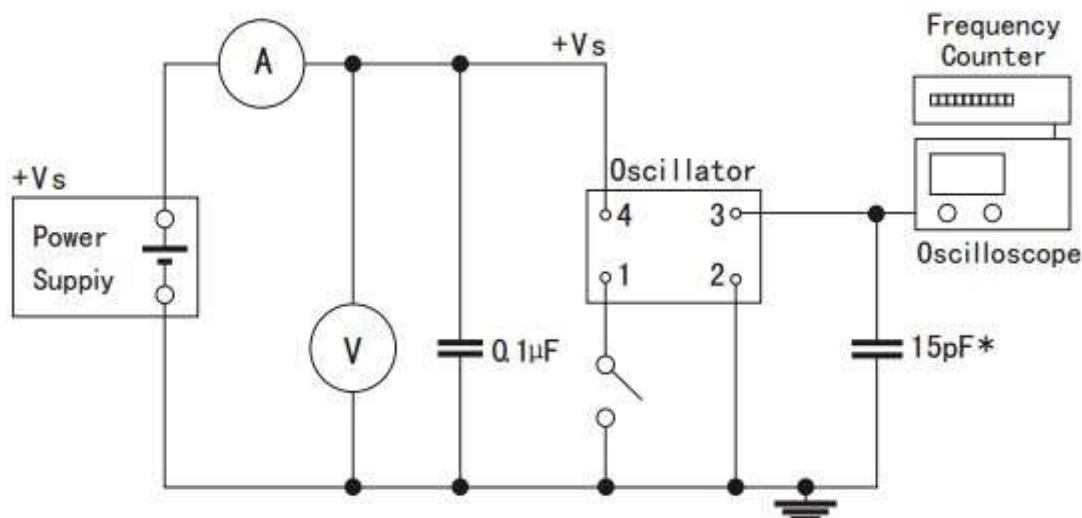


| | | | | |
|----|-----------|------|--------|-------|
| 引脚 | 1 | 2 | 3 | 4 |
| 功能 | 输出状态控制/NC | 地VSS | 输出QOUT | 电源VDD |

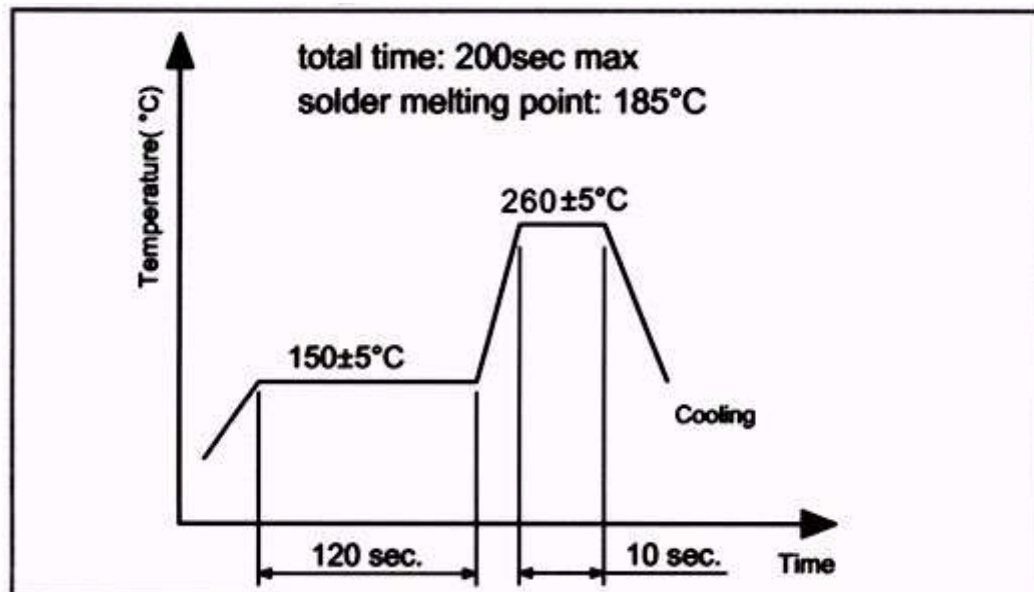
| | | |
|-----------|----------------|--------------|
| 输出控制端INHB | "H" 高电平或开路OPEN | "L" 低电平 (三态) |
| 输出Qout | 振荡器正常输出 | 高阻抗 |

注意：输出状态控制端INHB（三态端）不能接地，否则振荡器呈高阻抗

测试电路图



■ Reflow Condition



■ 输出波形图

