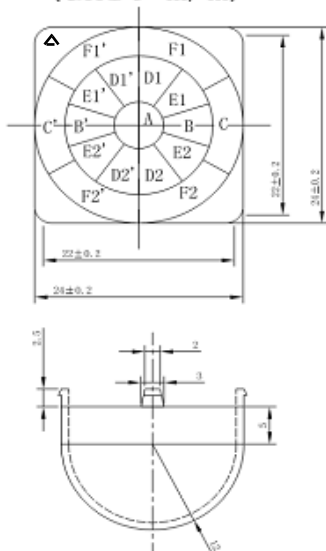


菲涅尔透镜 8310 规格书

FRESNEL LENS -- 8310

■ DIMENSION:
(unit=m/m)



(M)

■ DETECTING AREA:
(unit = meter)

