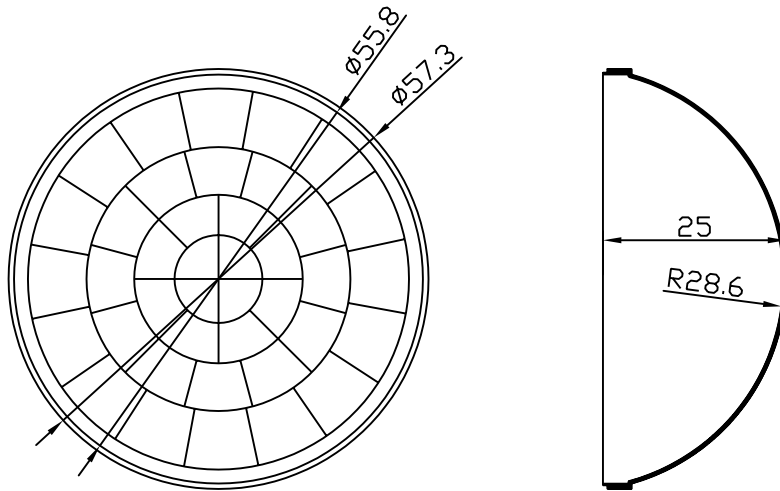


# FRESNEL LENS--8801-2

---

---

DIMENSION: (Unit=m/m)



DETECTING AREA: ( Unit = meter )

