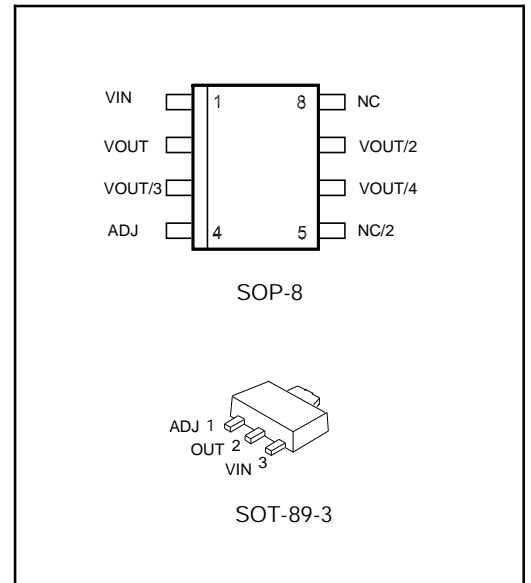


## DESCRIPTION

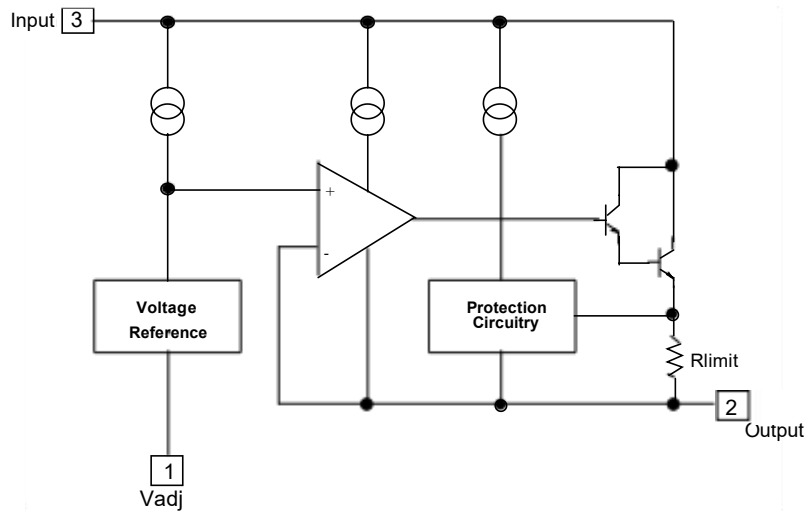
This monolithic integrated circuit is an adjustable 3-terminal positive voltage regulator designed to supply more than 0.1A of load current with an output voltage adjustable over a 1.2 to 37V. It employs internal current limiting, thermal shut-down and safe area compensation.

## FEATURE

- ⌘ Internal thermal overload protection
- ⌘ Internal short circuit current limiting
- ⌘ Output transistor safe operating area compensation



## Internal Block Diagram



## Absolute Maximum Ratings

Symbol	Parameter		Value	Unit
$V_I-V_O$	Input-Output Voltage Differential		40	V
$T_{LEAD}$	Lead Temperature		230	°C
$P_D$	Power Dissipation	SOT-89	400	mW
		SOP-8	400	
$T_J$	Operating Junction Temperature Range		0~125	°C
$T_{stg}$	Storage Temperature Range		-55~125	
$\Delta V_O/\Delta T$	Temperature Coefficient of Output Voltage		±0.02	%/°C

## ELECTRICAL CHARACTERISTICS

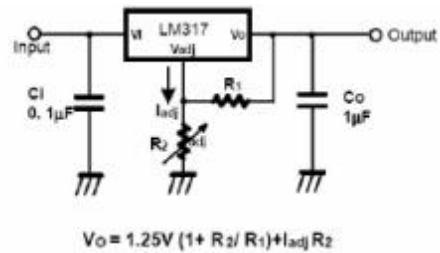
( $V_O-V_I=5V, I_O=0.5A, 0^\circ C \leq T_J \leq +125^\circ C, I_{MAX}=1.5A, P_{DMAX}=20W$ , unless otherwise specified)

Parameter	Symbol	Test conditions	MIN	TYP	MAX	UNIT
Line Regulation(note1)	$R_{line}$	$T_A=25^\circ C$ $3V \leq V_I-V_O \leq 40V$		0.01	0.04	%V
		$3V \leq V_I-V_O \leq 40V$		0.02	0.07	
Load Regulation(note1)	$R_{load}$	$T_A=25^\circ C, 10mA \leq I_O \leq I_{MAX}$ $V_O < 5V$ $V_O \geq 5V$		18 0.4	25 0.5	mV
		$10mA \leq I_O \leq I_{MAX}$ $V_O < 5V$ $V_O \geq 5V$		40 0.8	70 1.5	% $V_O$
Adjustable Pin Current	$I_{ADJ}$	-		46	100	$\mu A$
Adjustable Pin Current Change	$\Delta I_{ADJ}$	$3V \leq V_I-V_O \leq 40V$ $10mA \leq I_O \leq I_{MAX}, P_D \leq P_{MAX}$		0.2	5	
Reference Voltage	$V_{REF}$	$3V \leq V_I-V_O \leq 40V$ $10mA \leq I_O \leq I_{MAX}, P_D \leq P_{MAX}$	1.20	1.25	1.30	V
Temperature Stability	$ST_T$	-		0.7		%/ $V_O$
Minimum Load Current to Maintain Regulation	$I_{L(MIN)}$	$V_I-V_O=40V$		3.5	5	mA
Maximum Output Current	$I_{O(MAX)}$	$V_I-V_O \leq 3-13V, P_D \leq P_{MAX}$ $V_I-V_O \leq 40V, P_D \leq P_{MAX}$	100	200 50		mA
RMS Noise,% of $V_{OUT}$	$e_N$	$T_A=25^\circ C, 10Hz \leq f \leq 10KHz$		0.003	0.01	%/ $V_O$
Ripple Rejection	RR	$V_O=10V, f=120Hz$ without $C_{ADJ}$ $C_{ADJ}=10\mu F$ (note2)	66	65 80		dB
Long-Term Stability, $T_J=T_{HIGH}$	ST	$T_A=25^\circ C$ for end point measurements, 1000 HR		0.3	1	%
Thermal Resistance Junction to case	$R_{\theta JC}$	-		5		°C/W

## Notes:

- Load and line regulation are specified at constant junction temperature. Change in  $V_D$  due to heating effects must be taken into account separately. Pulse testing with low duty is used.( $P_{MAX}=20W$ )
- $C_{ADJ}$  - when used, is connected between the adjustment pin and ground.

## Typical Application

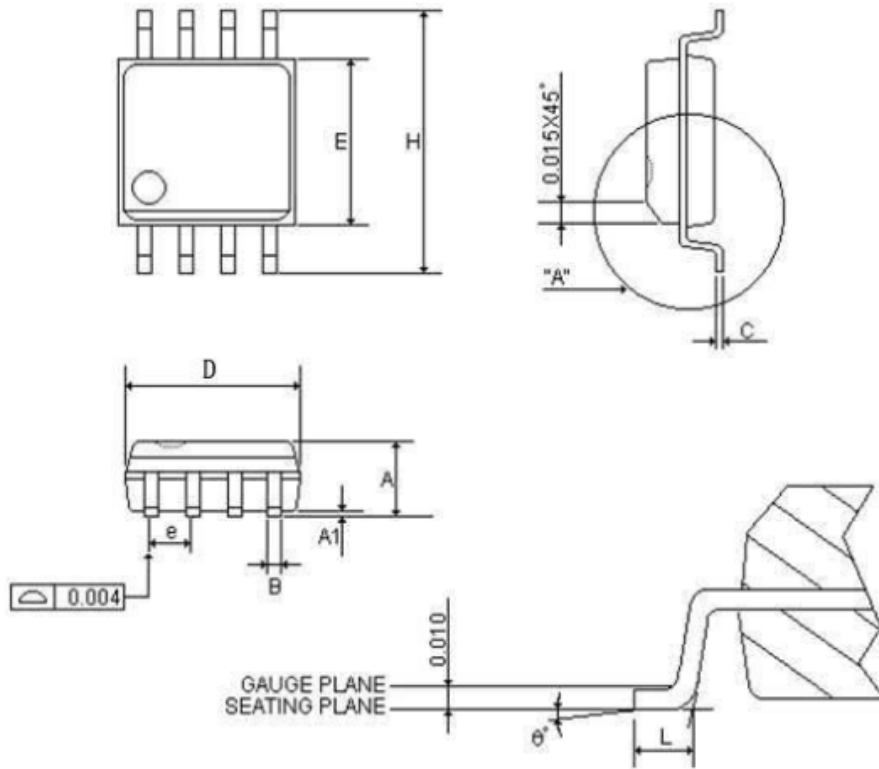


$C_i$  is required when regulator is located an appreciable distance from power supply filter.

$C_o$  is not needed for stability, however, it does improve transient response.

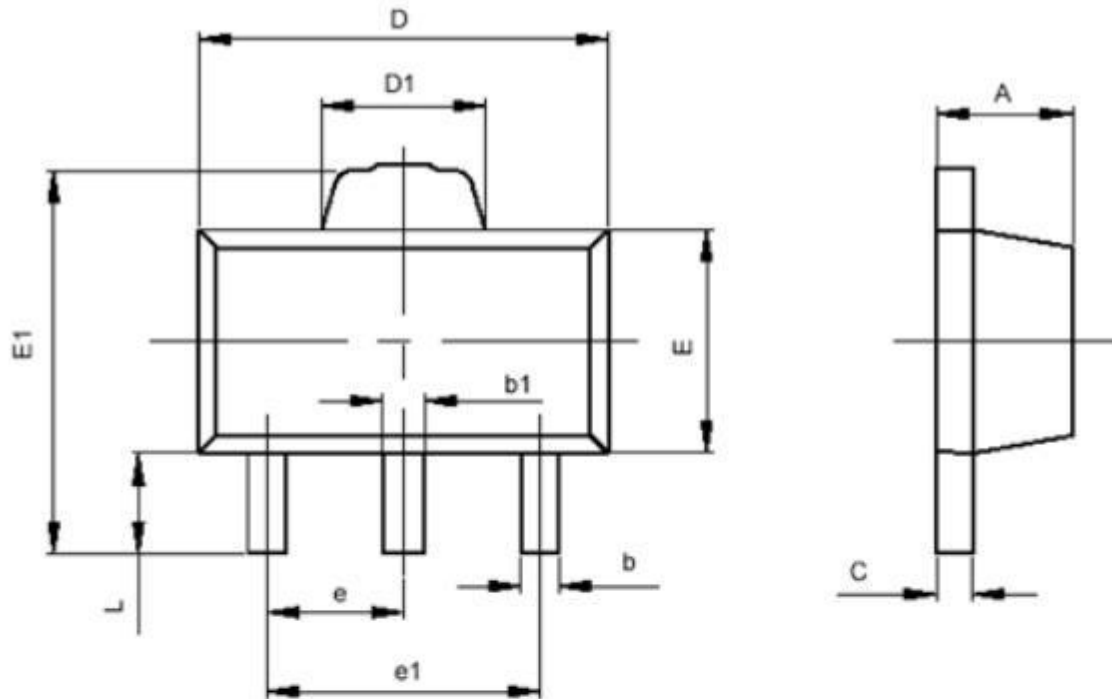
Since  $I_{ADJ}$  is controlled to less than  $100\mu A$ , the error associated with this term is negligible in most applications.

## SOP-8



SYMBOLS	MIN	NOR	MAX	MIN	NOR	MAX
	(inch)			(mm)		
A	0.058	0.064	0.068	1.4732	1.6256	1.7272
A1	0.004	-	0.010	0.1016	-	0.254
B	0.013	0.016	0.020	0.3302	0.4064	0.508
C	0.0075	0.008	0.0098	0.1905	0.2032	0.2490
D	0.186	0.191	0.196	5.9944	6.1214	6.1976
E	0.150	0.154	0.157	3.81	3.9116	3.9878
e	-	0.050	-	-	1.27	-
H	0.228	0.236	0.244	5.7912	5.9944	6.1976
L	0.015	0.025	0.050	0.381	0.635	1.27
$0^\circ$	$0^\circ$	-	$8^\circ$	$0^\circ$	-	$8^\circ$

### SOT-89-3



符号	最小值 ( mm )	最大值 ( mm )
A	1.400	1.600
b	0.320	0.520
b1	0.360	0.560
c	0.350	0.440
D	4.400	4.600
D1	1.400	1.800
E	2.300	2.600
E1	3.940	4.250
e	1.500TYP	
e1	2.900	3.100
L	0.900	1.100

**Ordering information**

<b>Order Code</b>	<b>Package</b>	<b>Baseqty</b>	<b>Deliverymode</b>
LM317LD	SOP-8	2500	Tape and reel
LM317LIPK	SOT-89	1000	Tape and reel

**聲明:**

- 我公司保留說明書更改權利，恕不另行通知；
- 任何半導體產品特性條件下都有一定失效或者發生故障的可能，買方有責任在使用我司產品進行系統設計和整機製造時遵守安全標準并採取安全措施，以避免潛在失敗風險可能造成人身傷害或財產損失情況的發生；
- 產品提升永無止境，我司將竭誠為客戶提供更優秀的半導體產品。