



浩畅半导体
www.szhaochang.cn

78M05 Three-terminal positive voltage regulator

TO-252-2L Plastic-Encapsulate Regulators

产
品
规
格
书

承
认
书

客户确认：

公司签章：

部门	工程部	品保部	采购部
签名			
日期			



TO-252-2L Plastic-Encapsulate Regulators

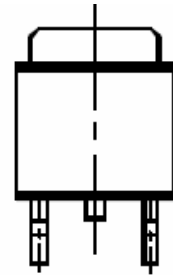
78M05 Three-terminal positive Voltage Regulator

FEATURES

- Output Current in Excess of 1.0A
- Output Voltage is 5V
- Internal thermal Overload protection
- Internal Short Circuit Current Limiting

PIN CONNECTION

- 1.INPUT
- 2. GND
- 3. OUTPUT



1 2 3

ABSOLUTE MAXIMUM RATINGS (Ta=25°C)

Characteristics	Symbol	Value	Unit
Input Voltage	V_i	36	V
Storage Temperature Range	T_{stg}	-55 ~ 150	°C

ELECTRICAL CHARACTERISTICS

(unless otherwise noted, $V_i=10V, I_o=500mA, 0 < T_j < 125, C_I \cong 0.33\mu F, C_o=0.1\mu F$)

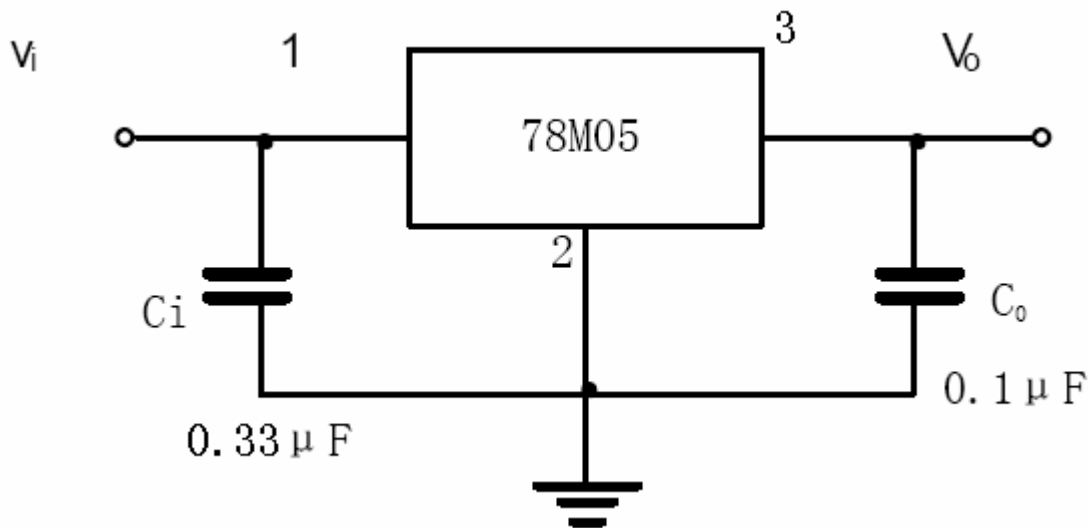
Characteristics	Symbol	Test conditions	Min.	Typ.	Max.	Unit
Output Voltage	V_o	$T_j=25^\circ C$	4.8	5.0	5.2	V
		$V_i=10V, I_o=1.0A$	4.7	5.0	5.25	
Load Regulation	ΔV_o	$T_j=25^\circ C, I_o=5mA \sim 1.0A$			100	mV
		$T_j=25^\circ C, I_o=5mA \sim 500mA$			50	
Line Regulation	ΔV_o	$7V \leq V_i \leq 20V, T_j=25^\circ C$			100	mV
		$8V \leq V_i \leq 12V, T_j=25^\circ C$			50	
Quiescent Current	I_q	$T_j=25^\circ C$			8	mA
Quiescent Current Charge	ΔI_q	$8V \leq V_i \leq 20V,$			1.3	mA
		$5mA \leq I_o \leq 1.0A$			0.5	

78M05 Three-terminal positive Voltage Regulator

Continues:

Characteristics	Symbol	Test conditions	Min.	Typ.	Max.	Unit
Output Noise Voltage	V_N	$10\text{Hz} \leq f \leq 100\text{kHz}$, $T_j = 25^\circ\text{C}$		42		μV
Dropout Voltage	V_d	$T_j = 25^\circ\text{C}$		2		V
Ripple Rejection	RR	$8\text{V} \leq V_i \leq 18\text{V}$, $f = 120\text{Hz}$, $T_j = 25^\circ\text{C}$	62	73		dB
Short Circuit Current Limit	I_{sc}	$T_j = 25^\circ\text{C}$ $v_i = 30\text{v}$		250		mA

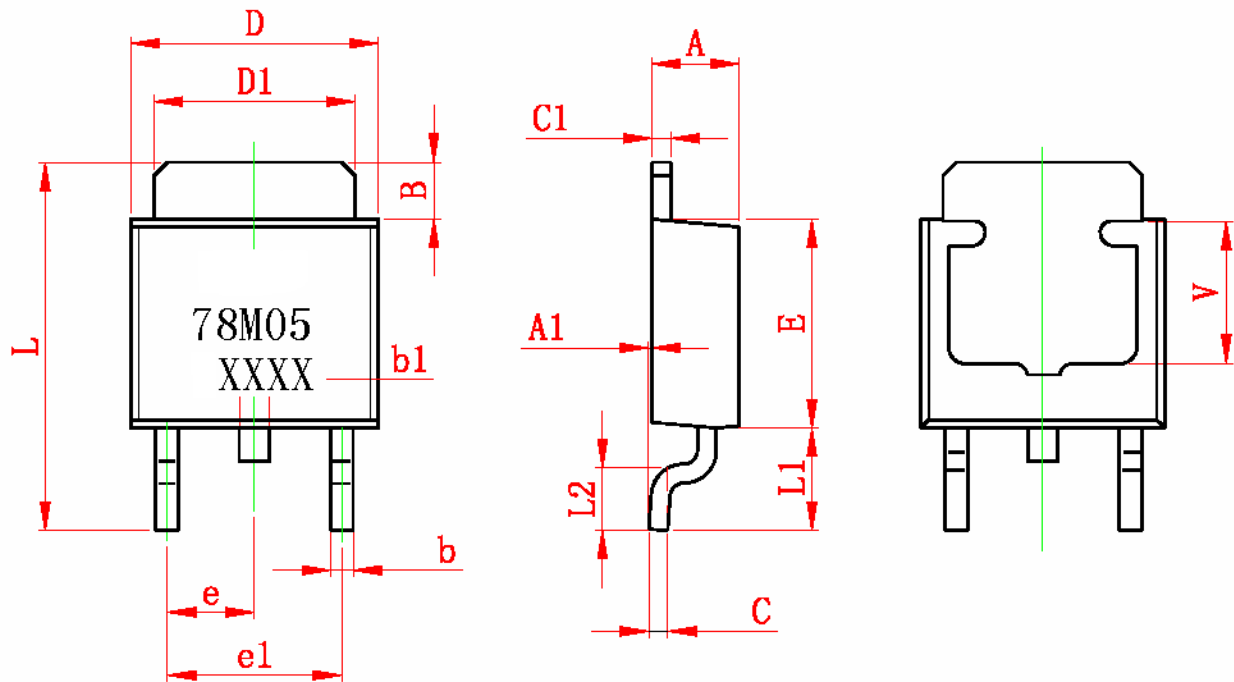
APPLICATION CIRCUIT



*Bypass capacitors are recommended for optimum stability and transient response and should be located as close as Possible to the regulators.

78M05 Three-terminal positive Voltage Regulator

TO-252-2L



Symbol	Dimensions In Millimeters		Dimensions In Inches	
	Min	Max	Min	Max
A	2.200	2.400	0.087	0.094
A1	0.000	0.127	0.000	0.005
B	1.350	1.650	0.053	0.065
b	0.500	0.700	0.020	0.028
b1	0.700	0.900	0.028	0.035
c	0.430	0.580	0.017	0.023
c1	0.430	0.580	0.017	0.023
D	6.350	6.650	0.250	0.262
D1	5.200	5.400	0.205	0.213
E	5.400	5.700	0.213	0.224
e	2.300 TYP		0.091 TYP	
e1	4.500	4.700	0.177	0.185
L	9.500	9.900	0.374	0.390
L1	2.550	2.900	0.100	0.114
L2	1.400	1.780	0.055	0.070
V	3.80 REF		0.150 REF	