

Schottky Barrier Rectifier

MBRB20200CT

FEATURES

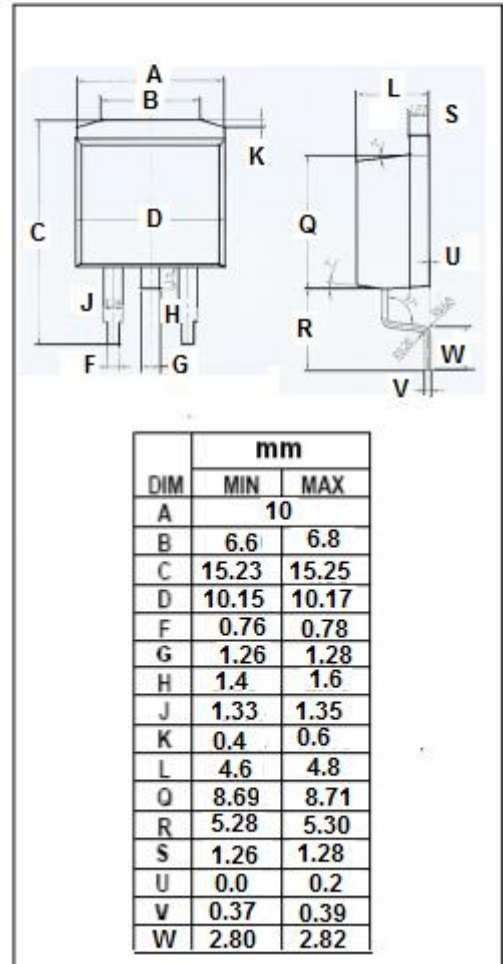
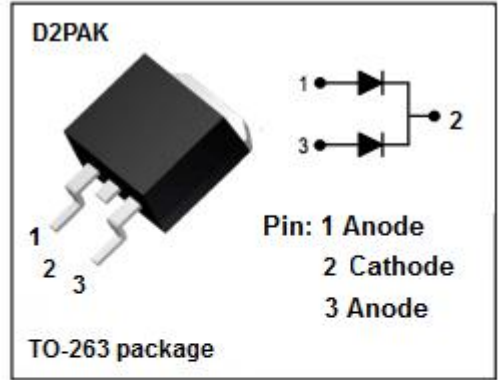
- Schottky barrier chip
- Low Power Loss, High Efficiency
- Guard ring for transient protection
- High Operating Junction Temperature
- 100% avalanche tested
- Minimum Lot-to-Lot variations for robust device performance and reliable operation

APPLICATIONS

- For use in high frequency rectifier of switching mode power supplies, freewheeling diodes, DC-to-DC converters or polarity protection application.

ABSOLUTE MAXIMUM RATINGS(Ta=25°C)

SYMBOL	PARAMETER	VALUE	UNIT
V _{RRM} V _{RMS} V _R	Peak Repetitive Reverse Voltage RMS Voltage DC Blocking Voltage	200	V
I _{F(AV)}	Average Rectified Forward Current	20	A
I _{FSM}	Nonrepetitive Peak Surge Current 8.3ms single half sine-wave superimposed on rated load conditions	150	A
T _J	Junction Temperature	-65~150	°C
T _{stg}	Storage Temperature Range	-65~175	°C



Schottky Barrier Rectifier
MBRB20200CT
THERMAL CHARACTERISTICS

SYMBOL	PARAMETER	MAX	UNIT
R _{th j-c}	Thermal Resistance, Junction to Case	2.0	°C/W

ELECTRICAL CHARACTERISTICS

SYMBOL	PARAMETER	CONDITIONS	TYP	MAX	UNIT
V _F	Maximum Instantaneous Forward Voltage	I _F =10A ; T _j =25°C		0.9	V
		I _F =10A ; T _j = 125°C		0.8	
		I _F =20A ; T _j = 25°C		1.0	
		I _F =20A ; T _j = 125°C		0.9	
I _R	Maximum Instantaneous Reverse Current	V _R = V _{RWM} ; T _j = 25°C		1	mA
		V _R = V _{RWM} ; T _j = 125°C		50	mA

NOTICE:

ISC reserves the rights to make changes of the content herein the datasheet at any time without notification. The information contained herein is presented only as a guide for the applications of our products.

ISC products are intended for usage in general electronic equipment. The products are not designed for use in equipment which require specialized quality and/or reliability, or in equipment which could have applications in hazardous environments, aerospace industry, or medical field. Please contact us if you intend our products to be used in these special applications.

ISC makes no warranty or guarantee regarding the suitability of its products for any particular purpose, nor does ISC assume any liability arising from the application or use of any products, and specifically disclaims any and all liability, including without limitation special, consequential or incidental damages.