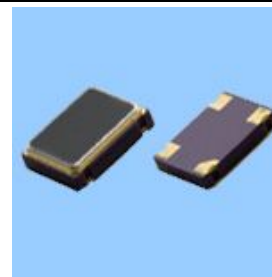


OSC32254P-33.333MHZ

■ Features

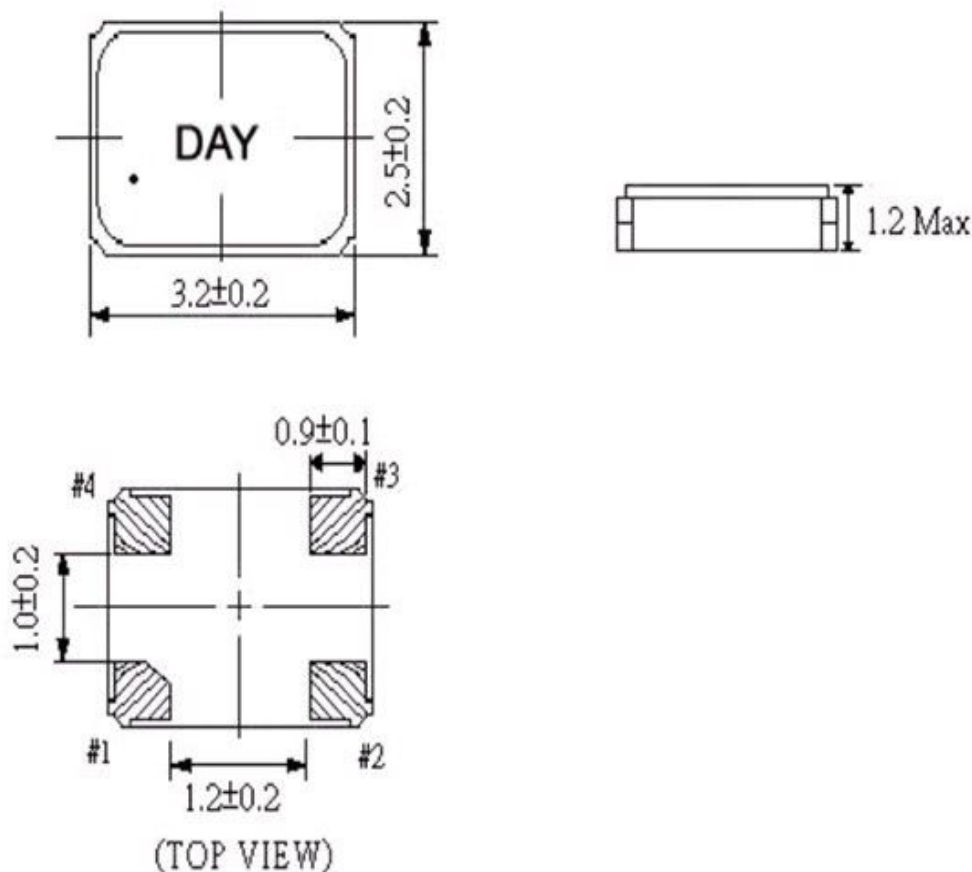
- Low power supply voltage(1.8V)
- LVPECL output level.
- Supports a WIDE FREQUENCY RANGE(32.768khz to 100 MHz)
- Low phase jitter:Max,1ps
- Compact with dimensions of 3.2*2.5*1.2mm.



■ Specifications

| 项目Item | 技术Specifications |
|--------------------------|---|
| 频率范围Freq. Range | 33.333MHZ |
| 频率稳定性Frequency Stability | ±10PPm, ±20PPm ±30PPm, ±50PPm |
| 工作温度Operaing Temp | -10°C to 60°C -20°C to 70°C -40°C to 85°C |
| 储存温度Storage Temp | -40°C to 85°C -55°C to 125°C |
| 输入电压Input | +5Vdc±10% or +3.3Vdc±5% +1.8Vdc±3% |
| 占空比 Symmetry | 40/60 Standard |
| 输出Output Load | 10 TTL or 15PF HCMOS |
| 消耗电流 | Current Consumption 15pf only) |
| | (5.0V) |
| | Current Consumption 15pf only) |
| | (1.8V, 2.5V, 2.85V, 3.3V) |
| 上升/下降时间Rise/Fall Time | 10nS max |

■ Dimensions



Ordering Information



使用电路图和引出端功能说明



| | | | | |
|----|-----------|------|--------|-------|
| 引脚 | 1 | 2 | 3 | 4 |
| 功能 | 输出状态控制/NC | 地VSS | 输出QOUT | 电源VDD |

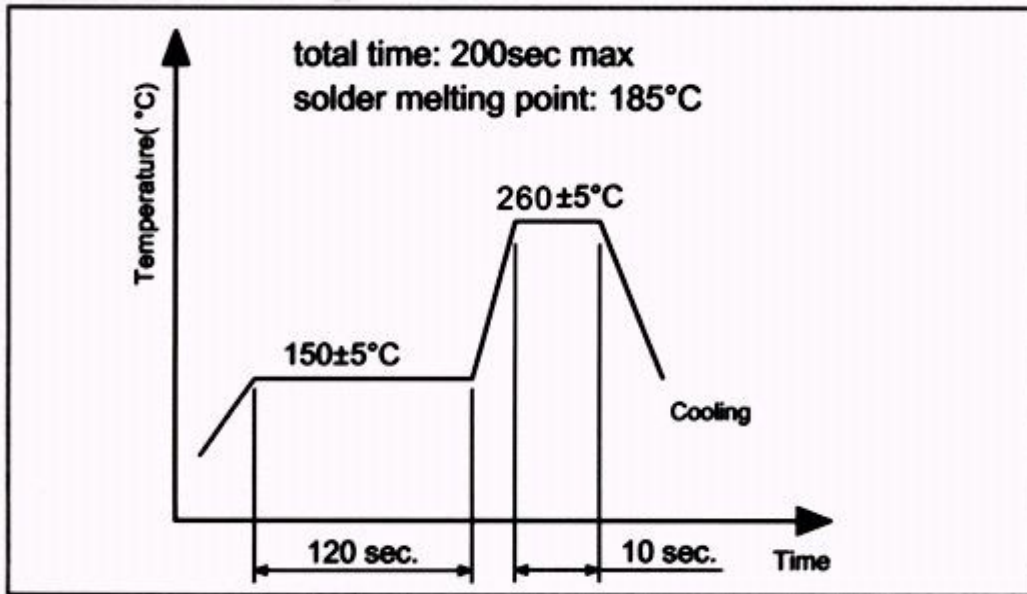
| | | |
|-----------|----------------|--------------|
| 输出控制端INHB | "H" 高电平或开路OPEN | "L" 低电平 (三态) |
| 输出Qout | 振荡器正常输出 | 高阻抗 |

注意：输出状态控制端INHB（三态端）不能接地，否则振荡器呈高阻抗

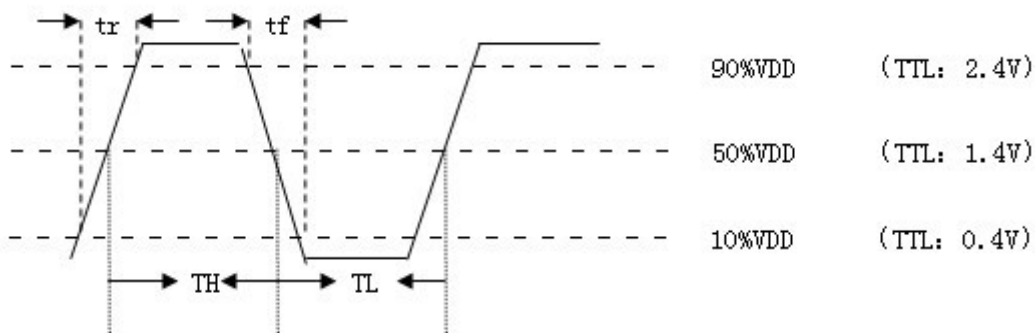
测试电路图



■ Reflow Condition



■ 输出波形图



■ 编带尺寸图TAPE:



| | | | | | | | |
|-----------|-----|-----|-------------|-----|------|------|-------------|
| Symbol | | A | B | Do | D1 | E | |
| DIMENSION | 7*5 | 5.5 | 7.5 | 1.5 | 1.5 | 1.75 | |
| Symbol | | K | Po | P1 | P2 | T | |
| DIMENSION | 7*5 | 1.9 | 4 | 8 | 2 | 0.3 | Unit :mm |
| Symbol | | H | F | G | W | T | Y |
| Dimension | 7*5 | 40° | 21 ± 0.8 | 120 | 17.5 | 2 | 250 |