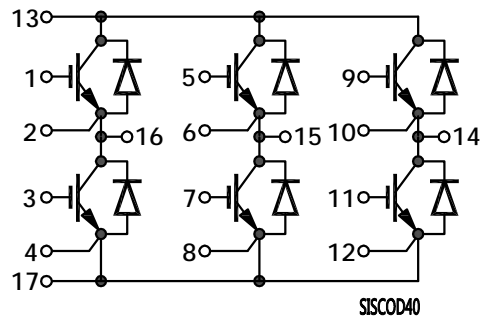


BSM50GD120DN2
BSM50GD120DLC

Circuit Diagram



Package Outlines
Dimensions in mm
Weight: 180 g

