

# FOD3125

## High Temperature, 2.5 A Output Current, Gate Drive Optocoupler

### Description

The FOD3125 is a 2.5 A Output Current Gate Drive Optocoupler, capable of driving most medium IGBTs or MOSFETs across extended industrial temperature range,  $-40^{\circ}\text{C}$  to  $125^{\circ}\text{C}$ . It is ideally suited for fast switching driving of power IGBTs and MOSFETs used in motor control inverter applications, and high performance power system.

It utilizes ON Semiconductor patented coplanar packaging technology, Optoplanar<sup>®</sup>, and optimized IC design to achieve high noise immunity, characterized by high common mode rejection.

It consists of a gallium aluminum arsenide (AlGaAs) light emitting diode optically coupled to an integrated circuit with a high-speed driver for push-pull MOSFET output stage.

### Features

- Extended Industrial Temperature Range,  $-40^{\circ}\text{C}$  to  $125^{\circ}\text{C}$
- High Noise Immunity characterized by 35 kV/ $\mu\text{s}$  minimum Common Mode Rejection
- 2.5 A Peak Output Current Driving Capability for Most 1200 V/ 20 A IGBT
- Use of P-channel MOSFETs at Output Stage Enables Output Voltage Swing close to the Supply Rail
- Wide Supply Voltage Range from 15 V to 30 V
- Fast Switching Speed
  - ◆ 400 ns maximum Propagation Delay
  - ◆ 100 ns maximum Pulse Width Distortion
- Under Voltage LockOut (UVLO) with Hysteresis
- Safety and Regulatory Approvals
  - ◆ UL1577, 5000 V<sub>RMS</sub> for 1 minute
  - ◆ DIN EN/IEC60747-5-5 (pending approval)
- >8.0 mm Clearance and Creepage Distance (Option 'T' or 'TS')
- 1,414 V Peak Working Insulation Voltage (VIORM)
- This is a Pb-Free Device

### Applications

- Industrial Inverter
- Uninterruptible Power Supply
- Induction Heating
- Isolated IGBT/Power MOSFET Gate Drive

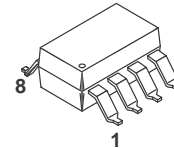
Table 1. TRUTH TABLE

LED	V <sub>DD</sub> - V <sub>SS</sub> "Positive Going" (Turn-on)	V <sub>DD</sub> - V <sub>SS</sub> "Negative Going" (Turn-off)	V <sub>O</sub>
Off	0 V to 30 V	0 V to 30 V	Low
On	0 V to 11 V	0 V to 9.7 V	Low
On	11 V to 14 V	9.7 V to 12.7 V	Transition
On	14 V to 30 V	12.7 V to 30 V	High

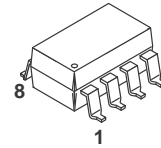


ON Semiconductor<sup>®</sup>

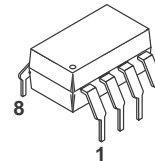
[www.onsemi.com](http://www.onsemi.com)



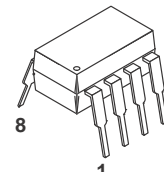
PDIP8 GW  
CASE 709AD



PDIP8 GW  
CASE 709AC

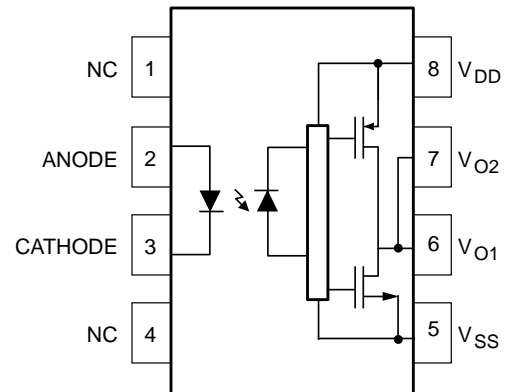


PDIP8 6.6x3.81, 2.54P  
CASE 646BW



PDIP8 9.655x6.6, 2.54P  
CASE 646CQ

### FUNCTIONAL BLOCK DIAGRAM



Note: A 0.1  $\mu\text{F}$  bypass capacitor must be connected between pins 5 and 8.

### ORDERING INFORMATION

See detailed ordering and shipping information in the package dimensions section on page 13 of this data sheet.

# FOD3125

**Table 2. PIN DEFINITIONS**

Pin #	Name	Description
1	NC	Not Connected
2	Anode	LED Anode
3	Cathode	LED Cathode
4	NC	Not Connected
5	VSS	Negative Supply Voltage
6	VO2	Output Voltage 2 (internally connected to VO1)
7	VO1	Output Voltage 1
8	VDD	Positive Supply Voltage

**Table 3. SAFETY AND INSULATION RATINGS**

As per IEC 60747-5-5 (pending approval). This optocoupler is suitable for “safe electrical insulation” only within the safety limit data. Compliance with the safety ratings shall be ensured by means of protective circuits.

Symbol	Parameter	Min.	Typ.	Max.	Unit
	Installation Classifications per DIN VDE 0110/1.89 Table 1				
	For Rated Main Voltage < 150 Vrms		I-IV		
	For Rated Main Voltage < 300 Vrms		I-IV		
	For Rated Main Voltage < 450 Vrms		I-III		
	For Rated Main Voltage < 600 Vrms		I-III		
	For Rated Main Voltage < 1000 Vrms (option T, TS)		I-III		
	Climatic Classification		40/100/21		
	Pollution Degree (DIN VDE 0110/1.89)		2		
CTI	Comparative Tracking Index	175			
V <sub>PR</sub>	Input to Output Test Voltage, Method b, V <sub>IORM</sub> × 1.875 = V <sub>PR</sub> , 100% Production Test with t <sub>m</sub> = 1 second, Partial Discharge < 5 pC	2651			
	Input to Output Test Voltage, Method a, V <sub>IORM</sub> × 1.6 = V <sub>PR</sub> , Type and Sample Test with t <sub>m</sub> = 10 second, Partial Discharge < 5 pC	2262			
V <sub>IORM</sub>	Max Working Insulation Voltage	1414			V <sub>peak</sub>
V <sub>IOTM</sub>	Highest Allowable Over Voltage	6000			V <sub>peak</sub>
	External Creepage	≥ 8			mm
	External Clearance	≥ 7.4			mm
	External Clearance (for Option T or TS, 0.4" Lead Spacing)	≥ 10.16			mm
	Insulation Thickness	≥ 0.5			mm
T <sub>Case</sub>	Case Temperature – Maximum Values Allowed in the Event of a Failure	175			°C
I <sub>S,INPUT</sub>	Input Current – Maximum Values Allowed in the Event of a Failure	400			mA
P <sub>S,OUTPUT</sub>	Output Power (Duty Factor ≤ 2.7 %) – Maximum Values Allowed in the Event of a Failure	700			mW
R <sub>IO</sub>	Insulation Resistance at T <sub>S</sub> , V <sub>IO</sub> = 500 V – Maximum Values Allowed in the Event of a Failure	> 10 <sup>9</sup>			Ω

# FOD3125

**Table 4. ABSOLUTE MAXIMUM RATINGS** ( $T_A = 25^\circ\text{C}$  unless otherwise specified.)

Symbol	Parameter	Value	Units
$T_{STG}$	Storage Temperature	-55 to +125	$^\circ\text{C}$
$T_{OPR}$	Operating Temperature	-40 to +125	$^\circ\text{C}$
$T_J$	Junction Temperature	-40 to +125	$^\circ\text{C}$
$T_{SOL}$	Lead Wave Solder Temperature (refer to page 12 for reflow solder profile)	260 for 10 sec	$^\circ\text{C}$
$I_{F(AVG)}$	Average Input Current	25	mA
f	Operating Frequency <sup>(1)</sup>	50	kHz
$V_R$	Reverse Input Voltage	5	V
$I_{O(PEAK)}$	Peak Output Current <sup>(2)</sup>	3	A
$V_{DD} - V_{SS}$	Supply Voltage	0 to 35	V
		$T_A \geq 90^\circ\text{C}$	
$V_{O(PEAK)}$	Peak Output Voltage	0 to $V_{DD}$	V
$t_{R(IN)}, t_{F(IN)}$	Input Signal Rise and Fall Time	500	ns
$PD_I$	Input Power Dissipation <sup>(3) (5)</sup>	45	mW
$PD_O$	Output Power Dissipation <sup>(4) (5)</sup>	250	mW

Stresses exceeding those listed in the Maximum Ratings table may damage the device. If any of these limits are exceeded, device functionality should not be assumed, damage may occur and reliability may be affected.

1. Exponential Waveform,  $I_{O(PEAK)} \leq |2.5 A| \leq 0.3 \mu\text{s}$
2. Maximum pulse width = 10  $\mu\text{s}$ , maximum duty cycle = 1.1 %.
3. Derate linearly above 87 $^\circ\text{C}$ , free air temperature at a rate of 0.77 mW/ $^\circ\text{C}$ .
4. Derate linearly above 100 $^\circ\text{C}$ , free air temperature at a rate of 5.7 mW/ $^\circ\text{C}$ .
5. Functional operation under these conditions is not implied. Permanent damage may occur if the device is subjected to conditions outside these ratings.

**Table 5. RECOMMENDED OPERATING CONDITIONS**

Symbol	Parameter	Value	Units
$T_A$	Ambient Operating Temperature	-40 to +125	$^\circ\text{C}$
$V_{DD} - V_{SS}$	Power Supply	15 to 30	V
$I_{F(ON)}$	Input Current (ON)	7 to 16	mA
$V_{F(OFF)}$	Input Voltage (OFF)	0 to 0.8	V

Functional operation above the stresses listed in the Recommended Operating Ranges is not implied. Extended exposure to stresses beyond the Recommended Operating Ranges limits may affect device reliability.

**Table 6. ISOLATION CHARACTERISTICS**

Apply over all recommended conditions, typical value is measured at  $T_A = 25^\circ\text{C}$

Symbol	Parameter	Conditions	Min.	Typ.	Max.	Units
$V_{ISO}$	Input-Output Isolation Voltage	$T_A = 25^\circ\text{C}$ , R.H. < 50 %, $t = 1.0$ minute, $I_{I-O} \leq 10 \mu\text{A}$ , 50 Hz <sup>(6) (7)</sup>	5000			$V_{RMS}$
$R_{ISO}$	Isolation Resistance	$V_{I-O} = 500 \text{ V}$ <sup>(6)</sup>		$10^{11}$		$\Omega$
$C_{ISO}$	Isolation Capacitance	$V_{I-O} = 0 \text{ V}$ , Frequency = 1.0 MHz <sup>(6)</sup>		1		pF

6. Device is considered a two terminal device: pins 2 and 3 are shorted together and pins 5, 6, 7 and 8 are shorted together.

7. 5,000  $V_{RMS}$  for 1 minute duration is equivalent to 6,000  $VAC_{RMS}$  for 1 second duration.

**Table 7. ELECTRICAL CHARACTERISTICS**

Symbol	Parameter	Conditions	Min.	Typ.	Max.	Units
$V_F$	Input Forward Voltage	$I_F = 10 \text{ mA}$	1.1	1.5	1.8	V
$\Delta(V_F / T_A)$	Temperature Coefficient of Forward Voltage			-1.8		mV/ $^\circ\text{C}$
$BV_R$	Input Reverse Breakdown Voltage	$I_R = 10 \mu\text{A}$	5			V

# FOD3125

**Table 7. ELECTRICAL CHARACTERISTICS** (continued)

Symbol	Parameter	Conditions	Min.	Typ.	Max.	Units
CIN	Input Capacitance	$f = 1 \text{ MHz}, V_F = 0 \text{ V}$		20		pF
IOH	High Level Output Current <sup>(1)</sup>	$V_O = V_{DD} - 3 \text{ V}$	-1.0	-2.0		A
		$V_O = V_{DD} - 6 \text{ V}$	-2.0			
IOL	Low Level Output Current <sup>(1)</sup>	$V_O = V_{SS} + 3 \text{ V}$	1.0	2.0		A
		$V_O = V_{SS} + 6 \text{ V}$	2.0			
VOH	High Level Output Voltage	$I_F = 10 \text{ mA}, I_O = -2.5 \text{ A}$	$V_{DD} - 6.25 \text{ V}$	$V_{DD} - 2.5 \text{ V}$		V
		$I_F = 10 \text{ mA}, I_O = -100 \text{ mA}$	$V_{DD} - 0.25 \text{ V}$	$V_{DD} - 0.1 \text{ V}$		
VOL	Low Level Output Voltage	$I_F = 0 \text{ mA}, I_O = 2.5 \text{ A}$		$V_{SS} + 2.5 \text{ V}$	$V_{SS} + 6.25 \text{ V}$	V
		$I_F = 0 \text{ mA}, I_O = 100 \text{ mA}$		$V_{SS} + 0.1 \text{ V}$	$V_{SS} + 0.25 \text{ V}$	
IDDH	High Level Supply Current	$V_O = \text{Open}, I_F = 7 \text{ to } 16 \text{ mA}$		2.8	3.8	mA
IDDL	Low Level Supply Current	$V_O = \text{Open}, V_F = 0 \text{ to } 0.8 \text{ V}$		2.8	3.8	mA
IFLH	Threshold Input Current Low to High	$I_O = 0 \text{ mA}, V_O > 5 \text{ V}$		2.3	5.0	mA
VFHL	Threshold Input Voltage High to Low	$I_O = 0 \text{ mA}, V_O < 5 \text{ V}$	0.8			V
VUVLO+	Under Voltage Lockout Threshold	$I_F = 1 \text{ mA}, V_O > 5 \text{ V}$	11	12.7	14	V
VUVLO-		$I_F = 10 \text{ mA}, V_O < 5 \text{ V}$	9.7	11.2	12.7	V
UVLOHYS	Under Voltage Lockout Threshold Hysteresis			1.5		V

Product parametric performance is indicated in the Electrical Characteristics for the listed test conditions, unless otherwise noted. Product performance may not be indicated by the Electrical Characteristics if operated under different conditions.

8. Maximum pulse width = 10  $\mu\text{s}$ , maximum duty cycle = 1.1 %.

**Table 8. SWITCHING CHARACTERISTICS**

Apply over all recommended conditions, typical value is measured at  $V_{DD} = 30 \text{ V}$ ,  $V_{SS} = \text{Ground}$ ,  $T_A = 25^\circ\text{C}$  unless otherwise specified.

Symbol	Parameter	Conditions	Min.	Typ.	Max.	Units	
tPHL	Propagation Delay Time to Logic Low Output	$I_F = 7 \text{ mA to } 16 \text{ mA},$ $R_g = 10 \Omega, C_g = 10 \text{ nF},$ $f = 10 \text{ kHz}, \text{ Duty Cycle} = 50 \%$	150	275	400	ns	
tPLH	Propagation Delay Time to Logic High Output		150	255	400	ns	
PWD	Pulse Width Distortion, $ t_{PHL} - t_{PLH} $			20	100	ns	
PDD (Skew)	Propagation Delay Difference Between Any Two Parts or Channels, $(t_{PHL} - t_{PLH})$ <sup>(9)</sup>			-250		250	ns
t <sub>r</sub>	Output Rise Time (10% – 90%)				60		ns
t <sub>f</sub>	Output Fall Time (90% – 10%)				60		ns
tUVLO ON	UVLO Turn On Delay		$I_F = 10 \text{ mA}, V_O > 5 \text{ V}$		1.6		$\mu\text{s}$
tUVLO OFF	UVLO Turn Off Delay	$I_F = 10 \text{ mA}, V_O < 5 \text{ V}$		0.4		$\mu\text{s}$	
CM <sub>H</sub>	Common Mode Transient Immunity at Output High	$T_A = 25^\circ\text{C}, V_{DD} = 30 \text{ V},$ $I_F = 7 \text{ to } 16 \text{ mA}, V_{CM} = 2000 \text{ V}$ <sup>(10)</sup>	35	50		kV/ $\mu\text{s}$	
CM <sub>L</sub>	Common Mode Transient Immunity at Output Low	$T_A = 25^\circ\text{C}, V_{DD} = 30 \text{ V}, V_F = 0 \text{ V},$ $V_{CM} = 2000 \text{ V}$ <sup>(11)</sup>	35	50		kV/ $\mu\text{s}$	

9. The difference between t<sub>PHL</sub> and t<sub>PLH</sub> between any two FOD3125 parts under same test conditions.

10. Common mode transient immunity at output high is the maximum tolerable negative dV<sub>cm</sub>/dt on the trailing edge of the common mode impulse signal, V<sub>cm</sub>, to assure that the output will remain high (i.e.,  $V_O > 15.0 \text{ V}$ ).

11. Common mode transient immunity at output low is the maximum tolerable positive dV<sub>cm</sub>/dt on the leading edge of the common pulse signal, V<sub>cm</sub>, to assure that the output will remain low (i.e.,  $V_O < 1.0 \text{ V}$ ).

TYPICAL PERFORMANCE CURVES

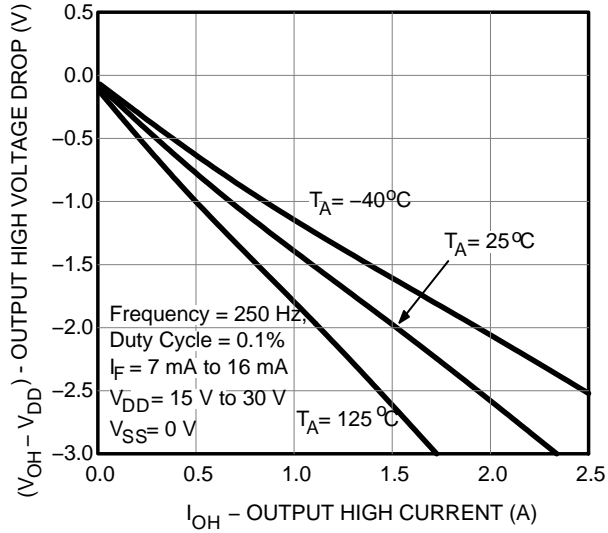


Figure 1. Output High Voltage Drop vs. Output High Current

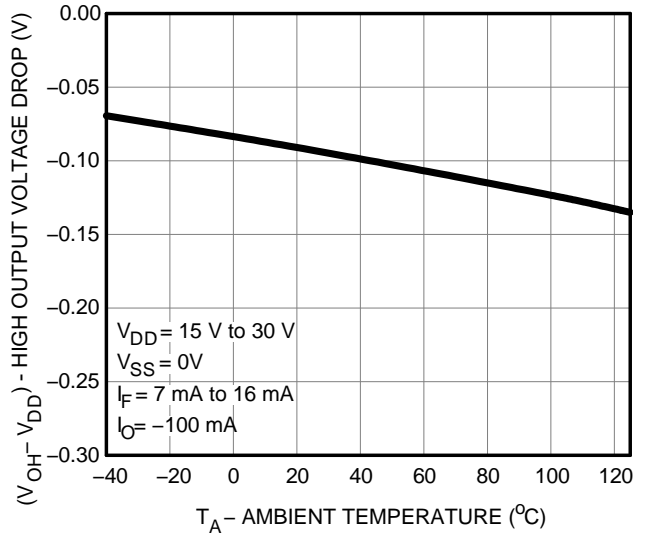


Figure 2. Output High Voltage Drop vs. Ambient Temperature

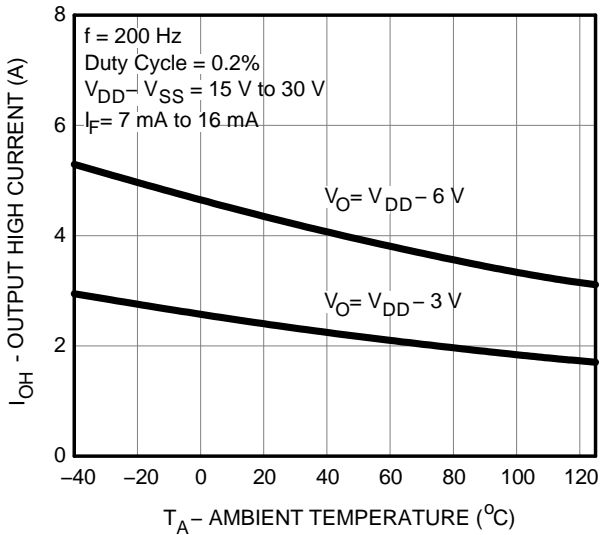


Figure 3. Output High Current vs. Ambient Temperature

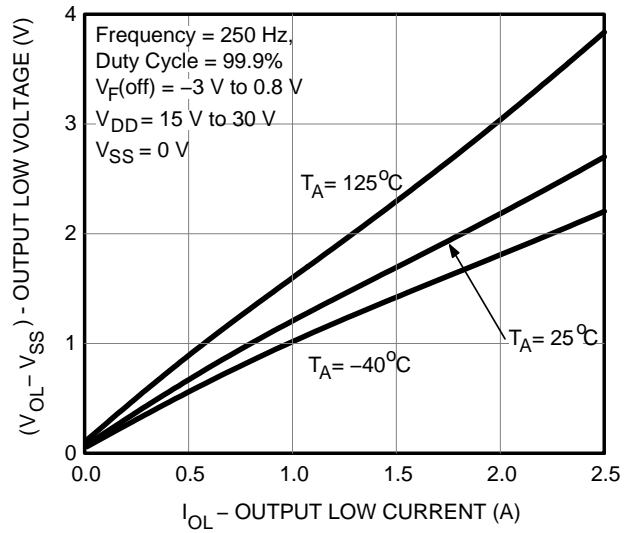
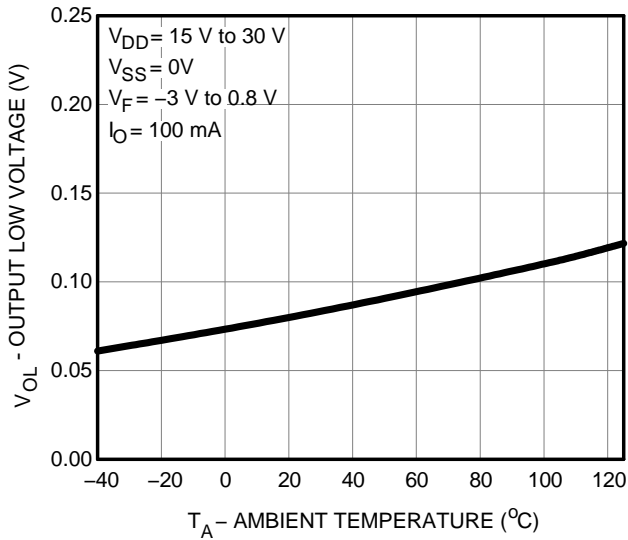
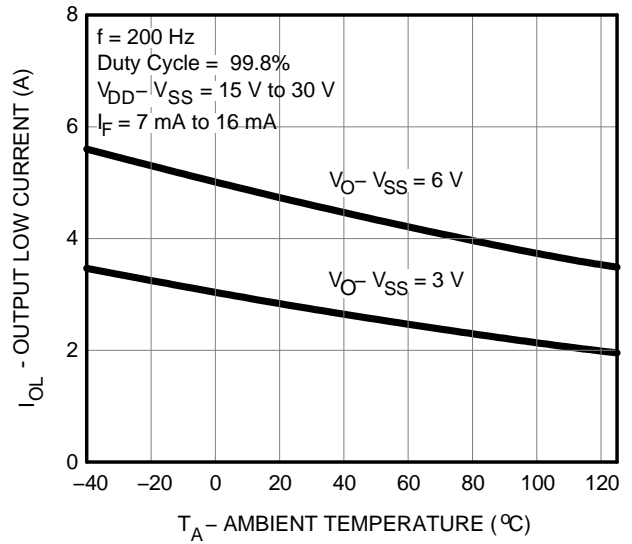


Figure 4. Output Low Voltage vs. Output Low Current

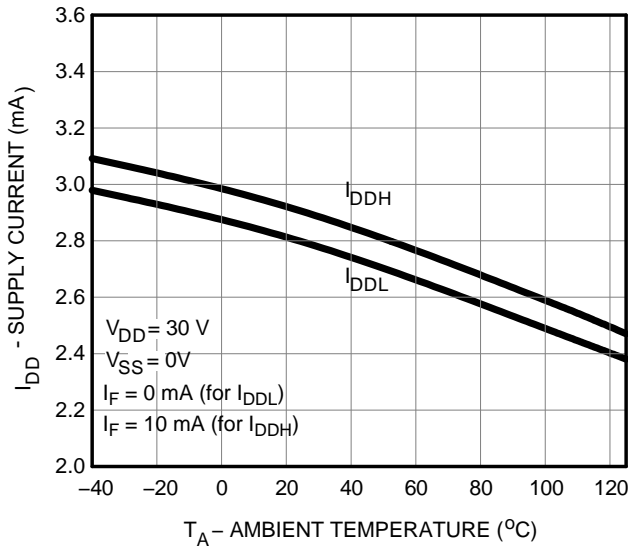
# FOD3125



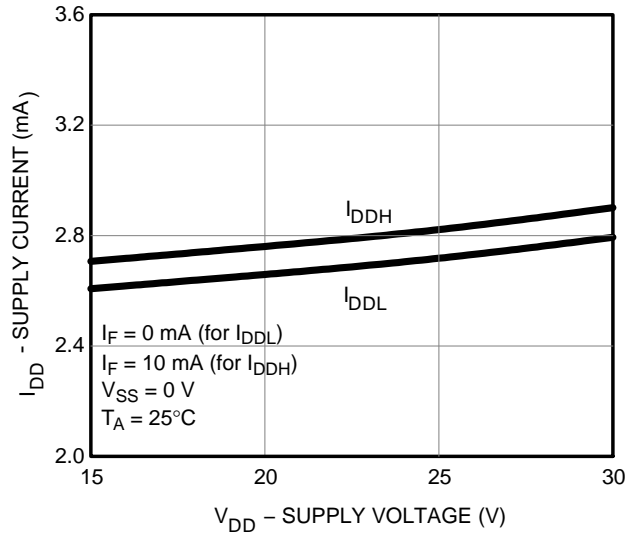
**Figure 5. Output Low Voltage vs. Ambient Temperature**



**Figure 6. Output Low Current vs. Ambient Temperature**



**Figure 7. Supply Current vs. Ambient Temperature**



**Figure 8. Supply Current vs. Supply Voltage**

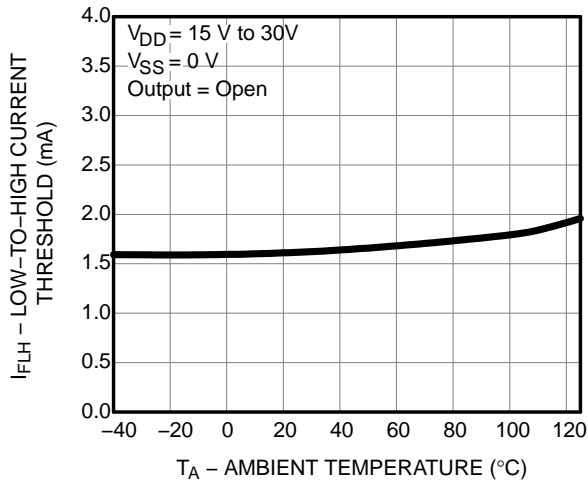


Figure 9. Low to High Input Current Threshold vs. Ambient Temperature

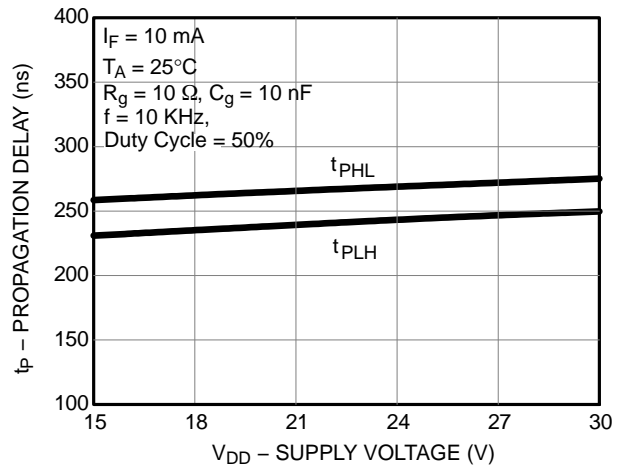


Figure 10. Propagation Delay vs. Supply Voltage

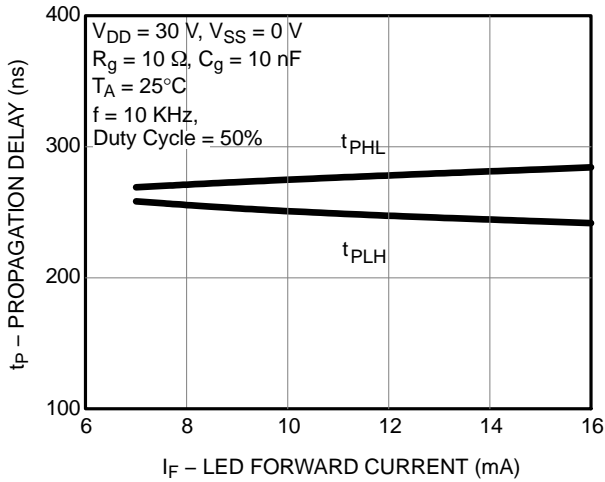


Figure 11. Propagation Delay vs. LED Forward Current

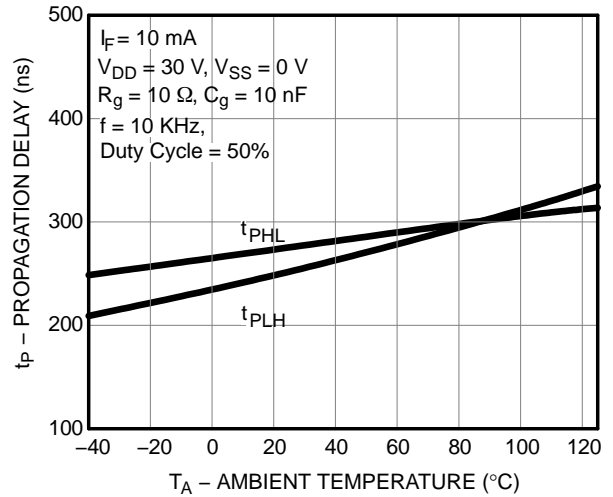


Figure 12. Propagation Delay vs. Ambient Temperature

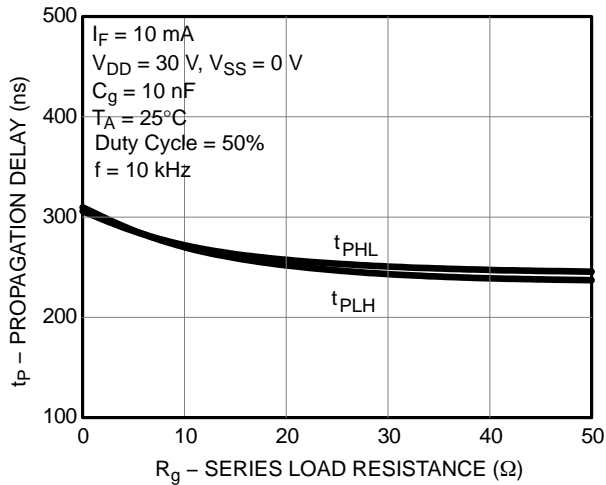


Figure 13. Propagation Delay vs. Series Load Resistance

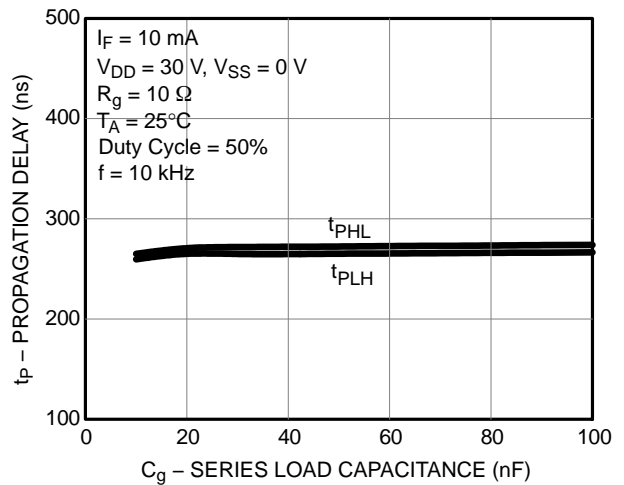


Figure 14. Propagation Delay vs. Load Capacitance

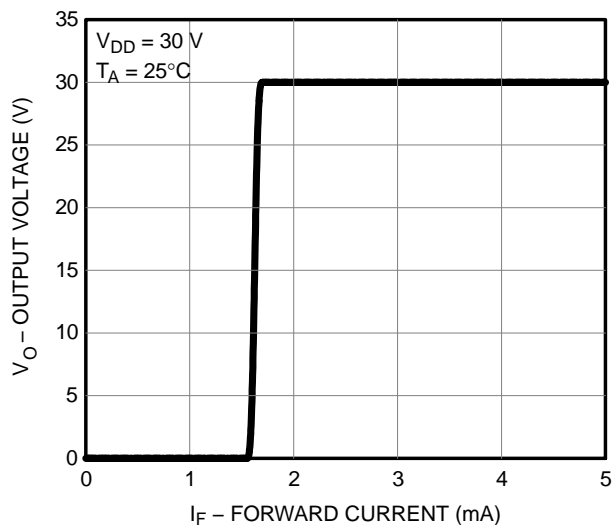


Figure 15. Transfer Characteristics

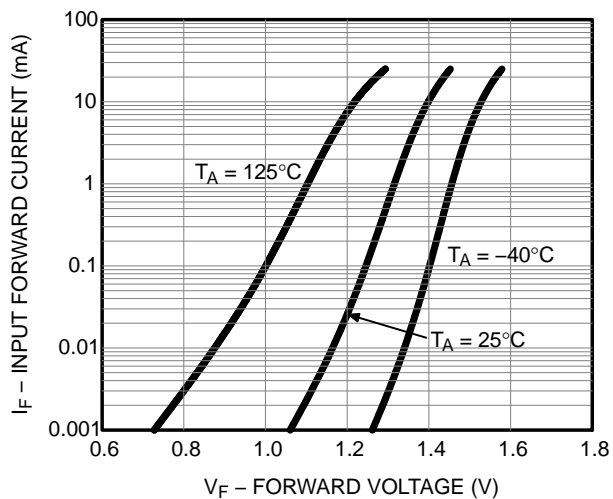


Figure 16. Input Forward Current vs. Forward Voltage

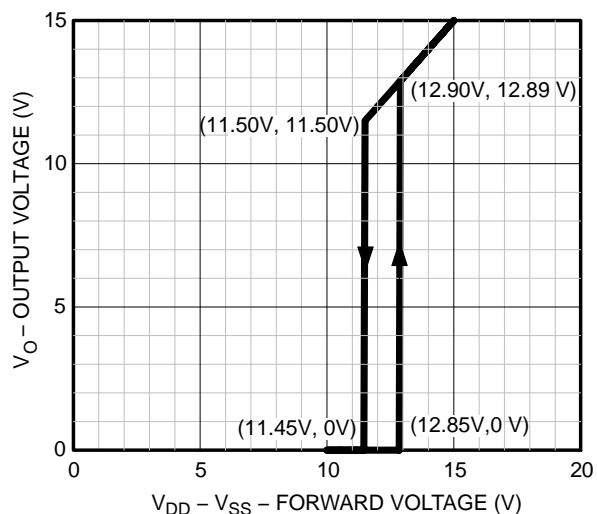


Figure 17. Under Voltage Lockout



# FOD3125

## TEST CIRCUIT

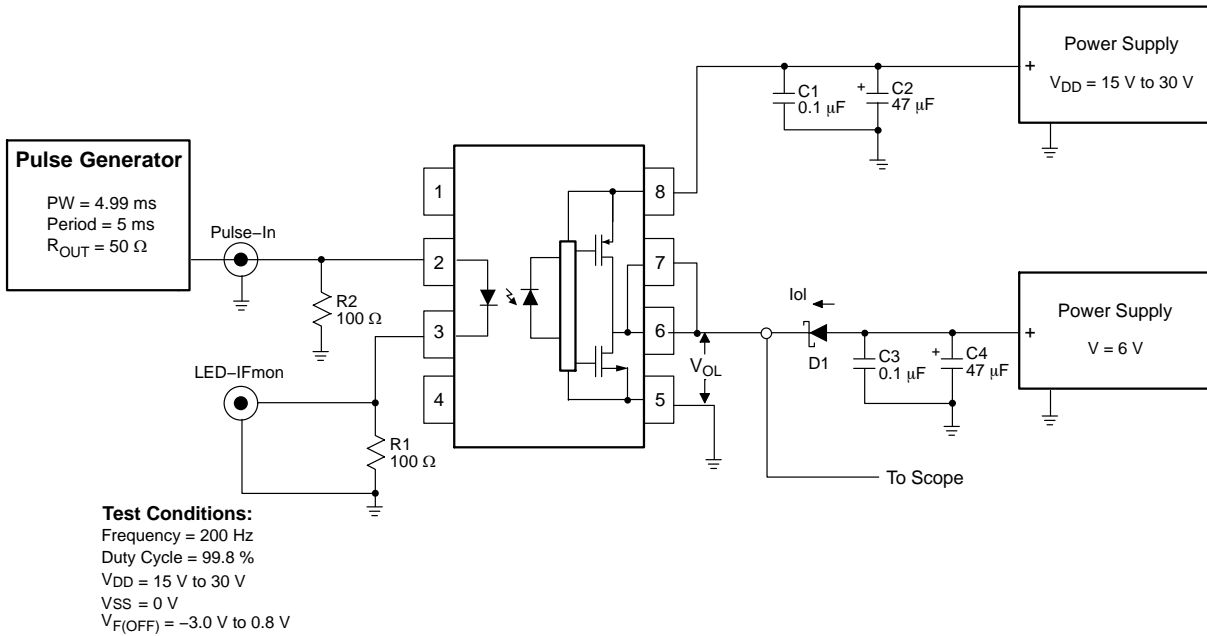


Figure 18.  $I_{OL}$  Test Circuit

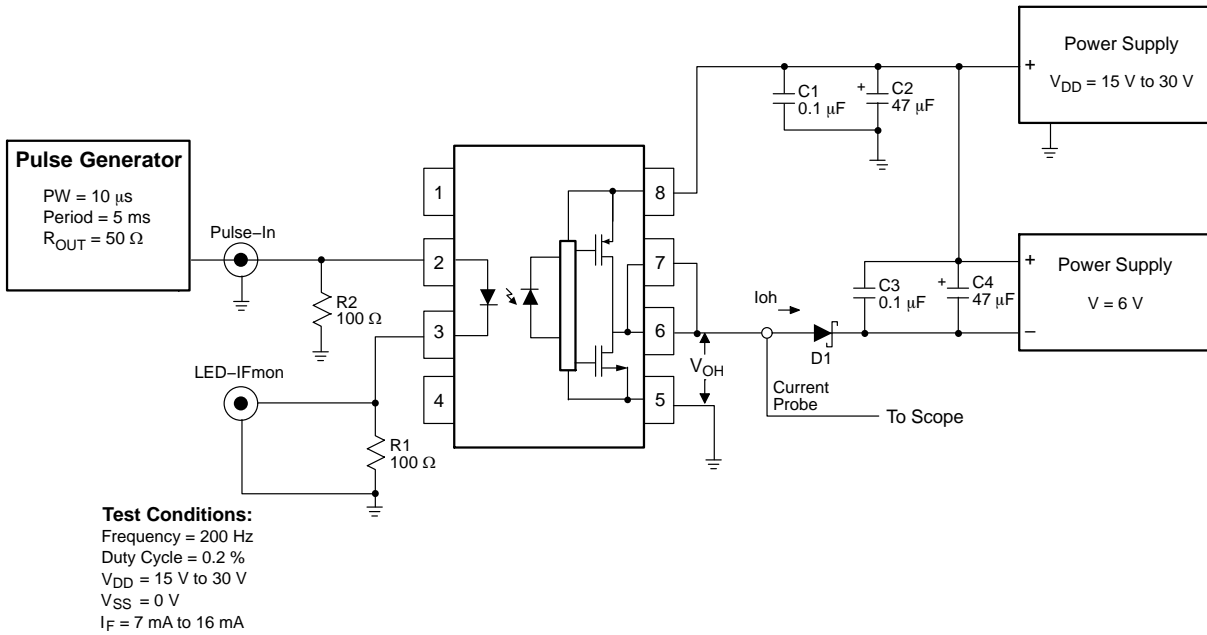


Figure 19.  $I_{OH}$  Test Circuit

# FOD3125

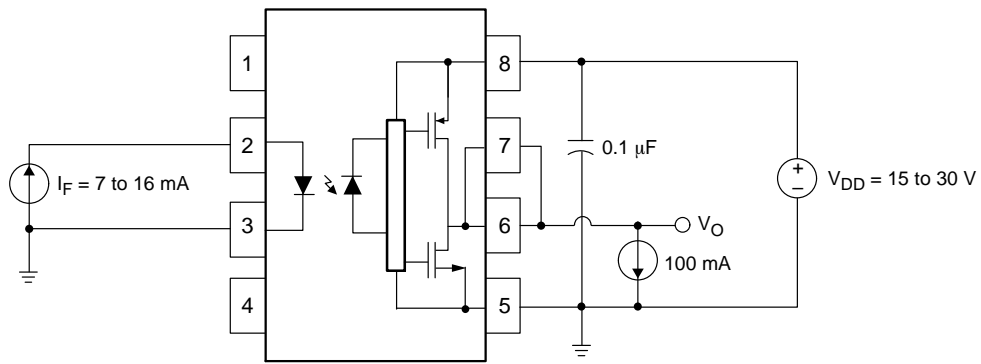


Figure 20.  $V_{OH}$  Test Circuit

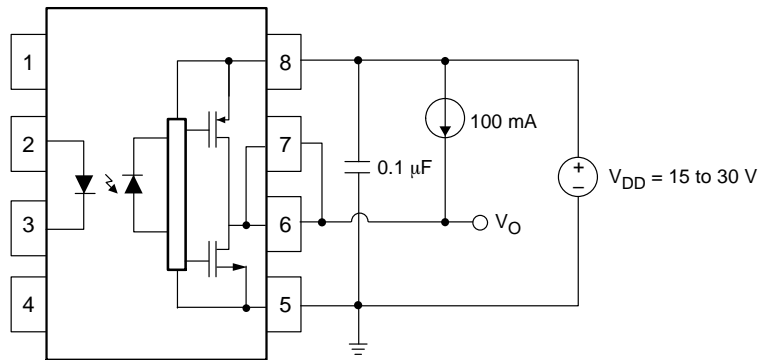


Figure 21.  $V_{OL}$  Test Circuit

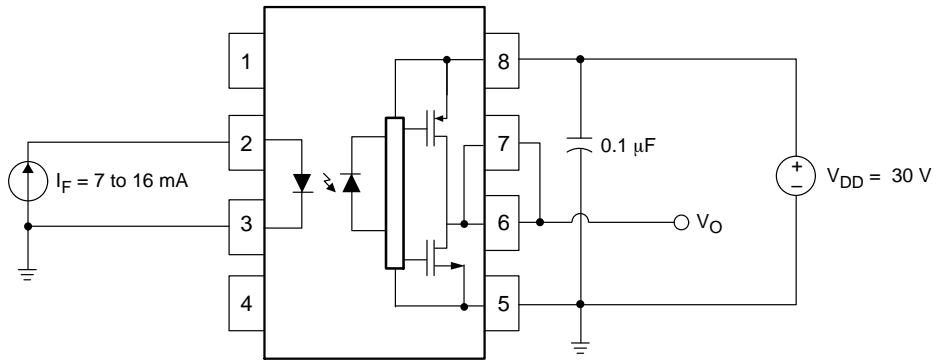


Figure 22.  $I_{DDH}$  Test Circuit

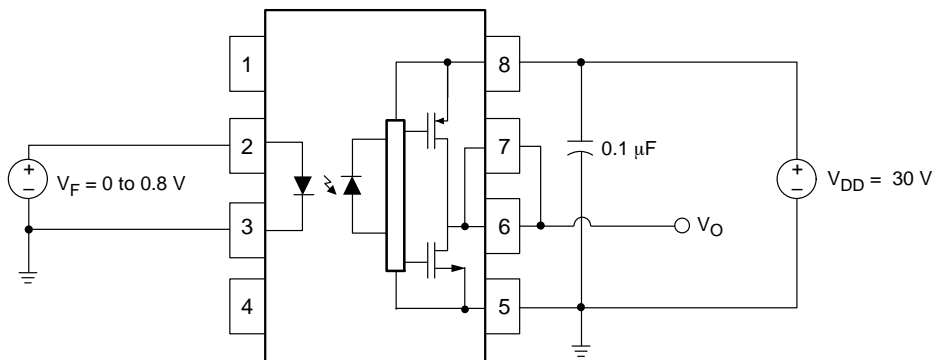


Figure 23.  $I_{DDL}$  Test Circuit

# FOD3125

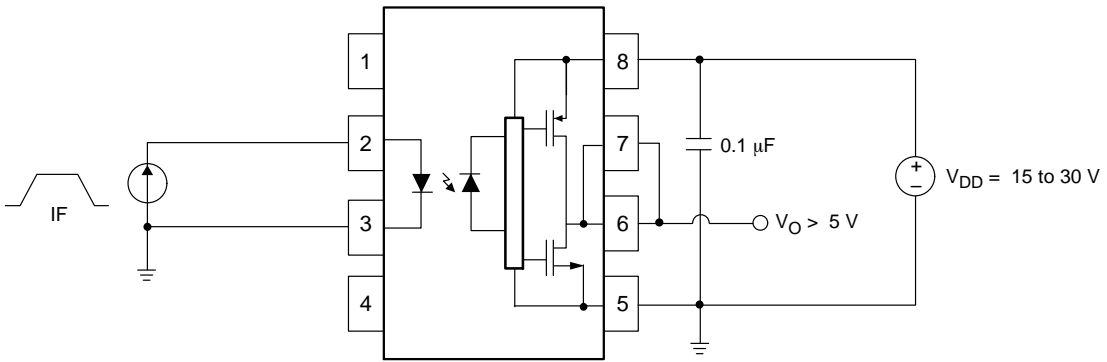


Figure 24.  $I_{FLH}$  Test Circuit

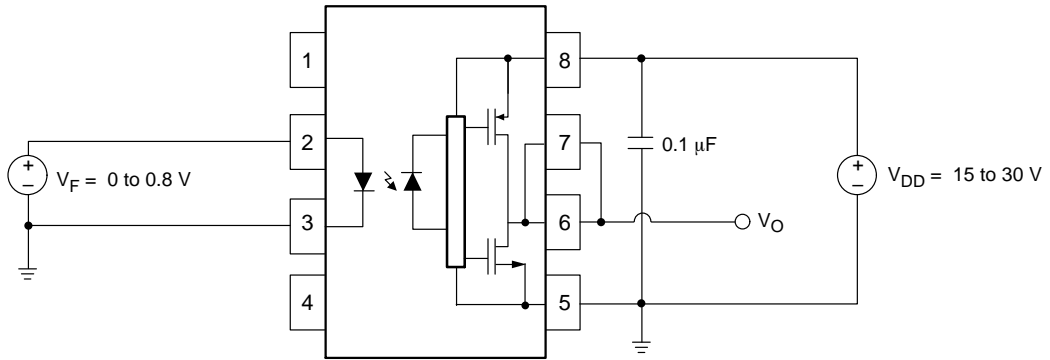


Figure 25.  $V_{FHL}$  Test Circuit

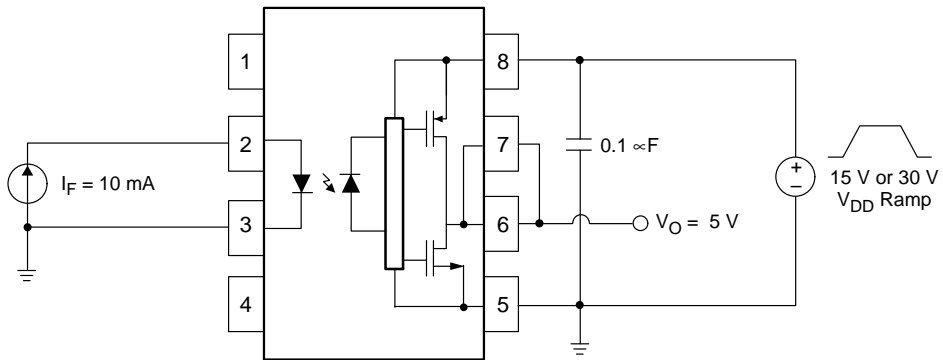
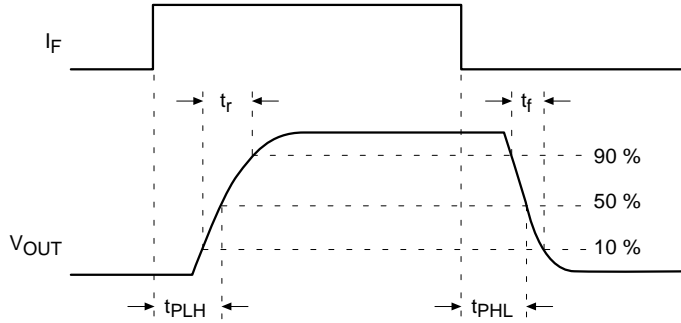
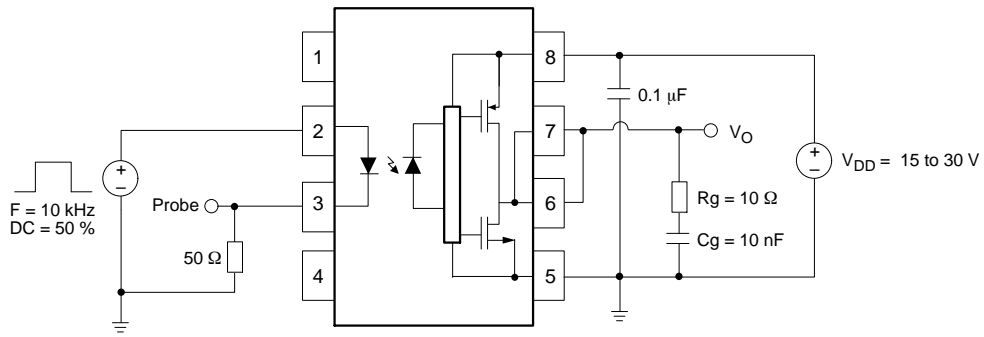
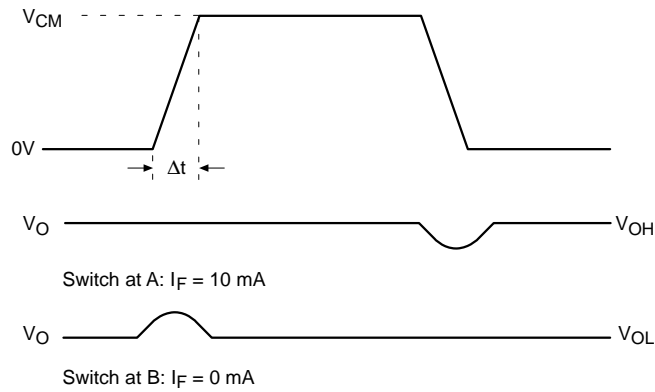
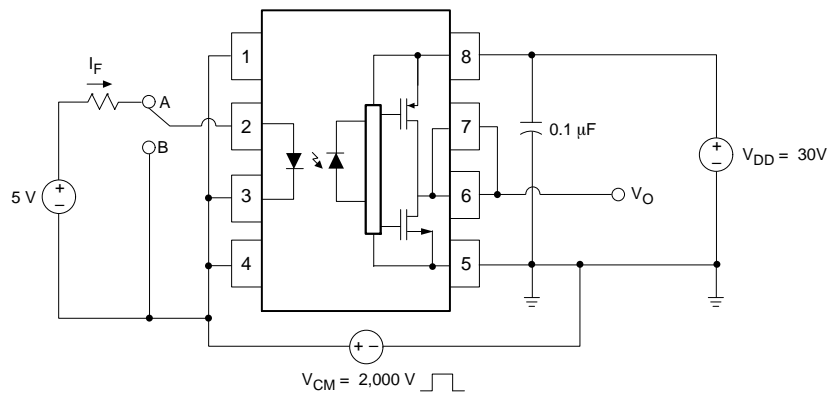


Figure 26. UVLO Test Circuit

# FOD3125



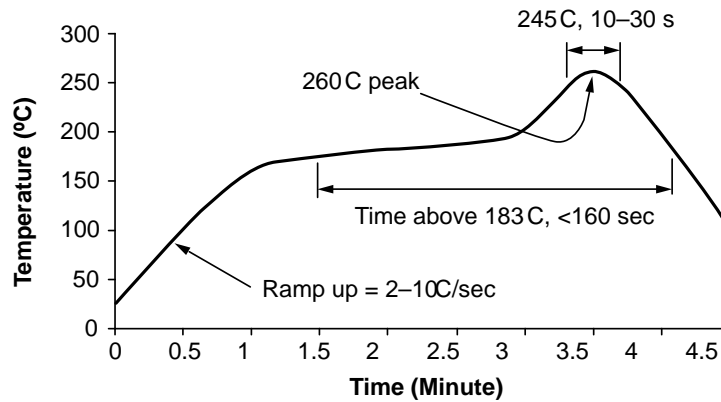
**Figure 27.  $t_{PHL}$ ,  $t_{PLH}$ ,  $t_R$  and  $t_F$  Test Circuit and Waveforms**



**Figure 28. CMR Test Circuit and Waveforms**

# FOD3125

## REFLOW PROFILE



Notes:

- Peak reflow temperature: 260 C (package surface temperature)
- Time of temperature higher than 183 C for 160 seconds or less
- One time soldering reflow is recommended

Figure 29. Reflow Profile

## ORDERING INFORMATION

Part Number	Package	Shipping†
FOD3125	DIP 8–Pin	50 / Tube
FOD3125S	SMT 8–Pin (Lead Bend)	50 / Tube
FOD3125SD	SMT 8–Pin (Lead Bend)	1,000 / Tape & Reel
FOD3125V	DIP 8–Pin, IEC60747–5–5 option (pending approval)	50 / Tube
FOD3125SV	SMT 8–Pin (Lead Bend), DIN EN/IEC60747–5–5 option (pending approval)	50 / Tube
FOD3125SDV	SMT 8–Pin (Lead Bend), DIN EN/IEC60747–5–5 option (pending approval)	1,000 / Tape & Reel
FOD3125TV	DIP 8–Pin, 0.4" Lead Spacing, DIN EN/IEC60747–5–5 option (pending approval)	50 / Tube
FOD3125TSV	SMT 8–Pin, 0.4" Lead Spacing, DIN EN/IEC60747–5–5 option (pending approval)	50 / Tube
FOD3125TSR2V	SMT 8–Pin, 0.4" Lead Spacing, DIN EN/IEC60747–5–5 option (pending approval)	1,000 / Tape & Reel

†For information on tape and reel specifications, including part orientation and tape sizes, please refer to our Tape and Reel Packaging Specifications Brochure, BRD8011/D

## MARKING INFORMATION

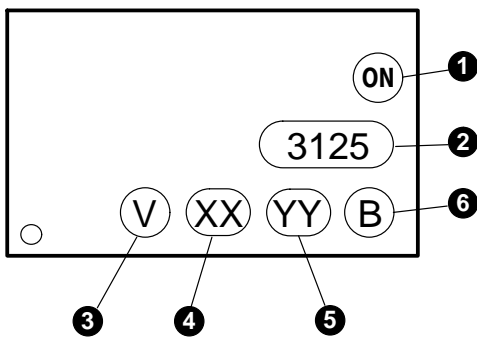


Figure 30. Device Marking

Definitions	
1	Company logo
2	Device number
3	DIN EN/IEC60747–5–5 Option (pending approval) (only appears on component ordered with this option)
4	Two digit year code, e.g., '19'
5	Two digit work week ranging from '01' to '53'
6	Assembly package code

# FOD3125

## CARRIER TAPE SPECIFICATIONS

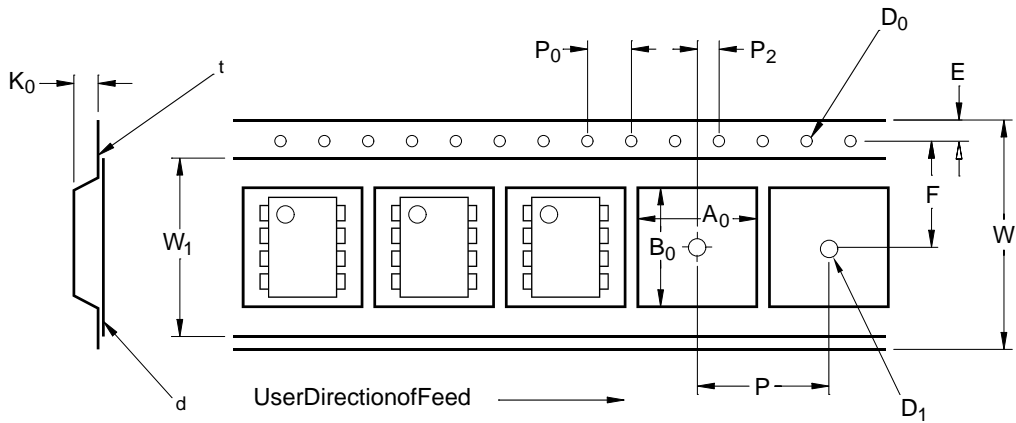


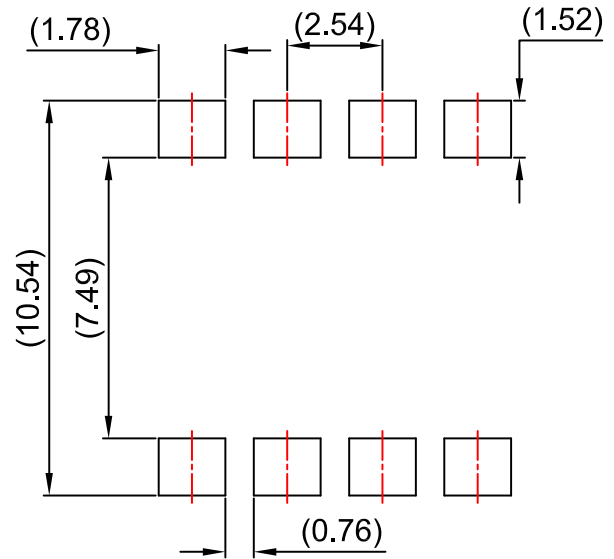
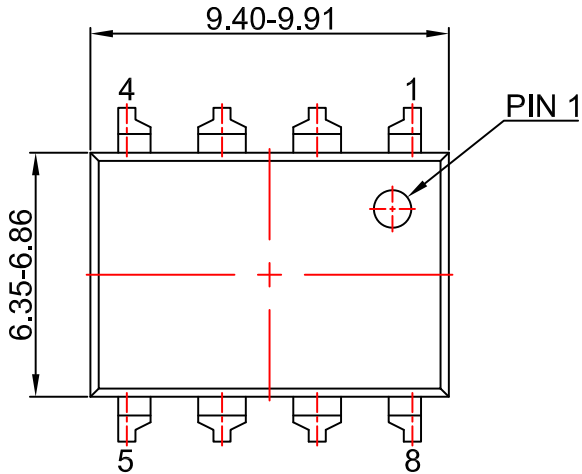
Figure 31. Carrier Tape Specifications

Symbol	Description	Dimension in mm
W	Tape Width	16.0 ± 0.3
t	Tape Thickness	0.30 ± 0.05
$P_0$	Sprocket Hole Pitch	4.0 ± 0.1
$D_0$	Sprocket Hole Diameter	1.55 ± 0.05
E	Sprocket Hole Location	1.75 ± 0.10
F	Pocket Location	7.5 ± 0.1
$P_2$		2.0 ± 0.1
P	Pocket Pitch	12.0 ± 0.1
$A_0$	Pocket Dimensions	10.30 ± 0.20
$B_0$		10.30 ± 0.20
$K_0$		4.90 ± 0.20
$W_1$	Cover Tape Width	13.2 ± 0.2
d	Cover Tape Thickness	0.1 max
	Max. Component Rotation or Tilt	10°
R	Min. Bending Radius	30

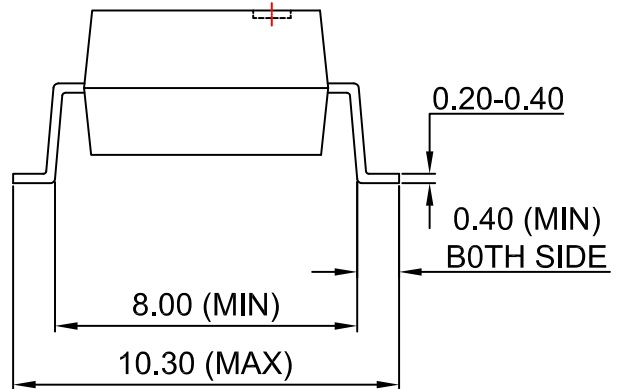
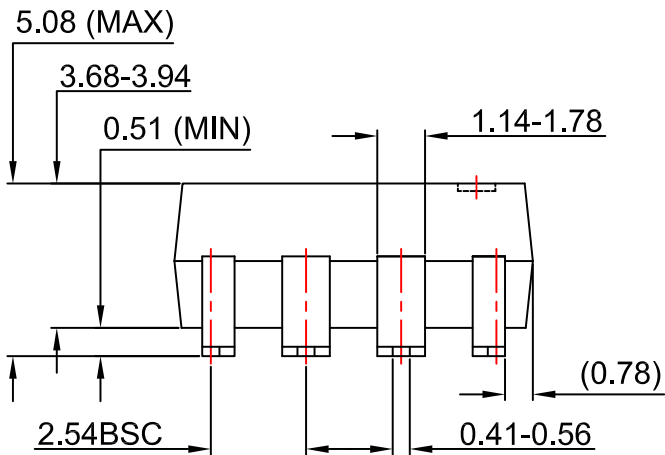
# FOD3125

## PACKAGE DIMENSIONS

PDIP8 GW  
CASE 709AC  
ISSUE O



### LAND PATTERN RECOMMENDATION



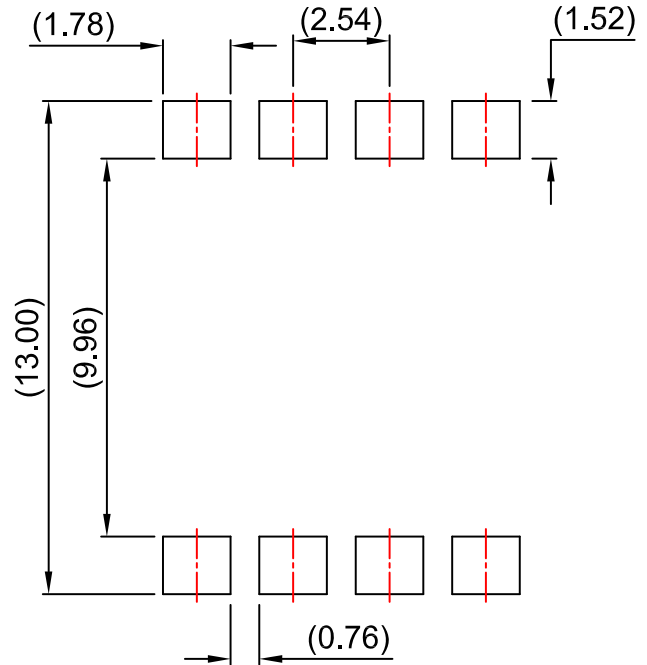
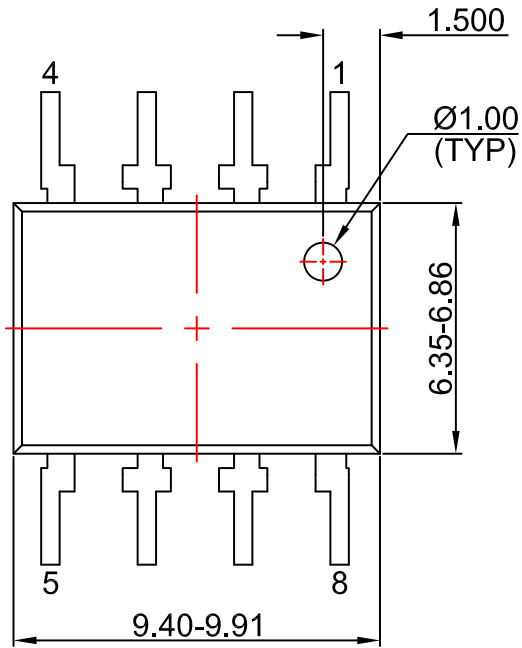
### NOTES:

- A) NO STANDARD APPLIES TO THIS PACKAGE
- B) ALL DIMENSIONS ARE IN MILLIMETERS.
- C) DIMENSIONS ARE EXCLUSIVE OF BURRS, MOLD FLASH, AND TIE BAR EXTRUSION

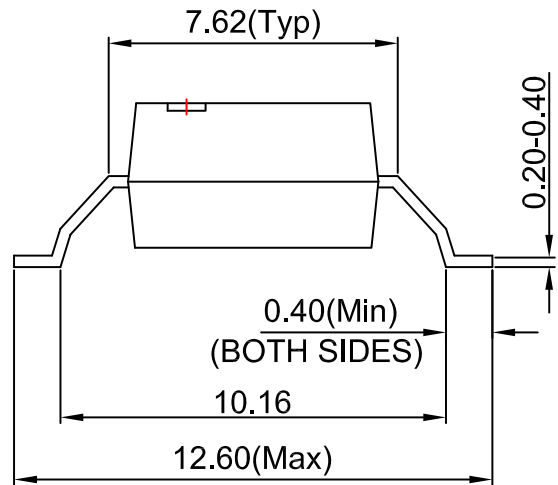
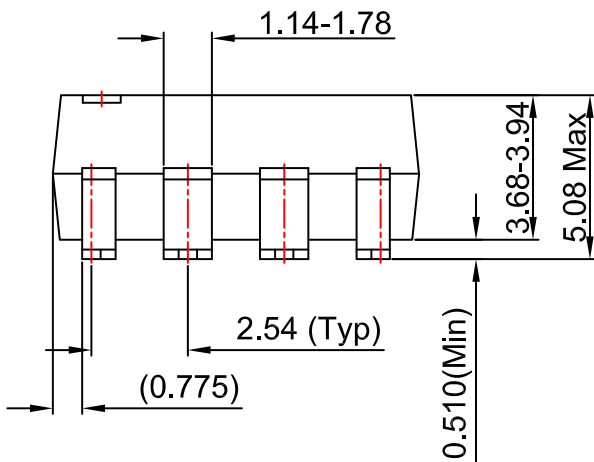
# FOD3125

## PACKAGE DIMENSIONS

PDIP8 GW  
CASE 709AD  
ISSUE O



LAND PATTERN RECOMMENDATION



### NOTES:

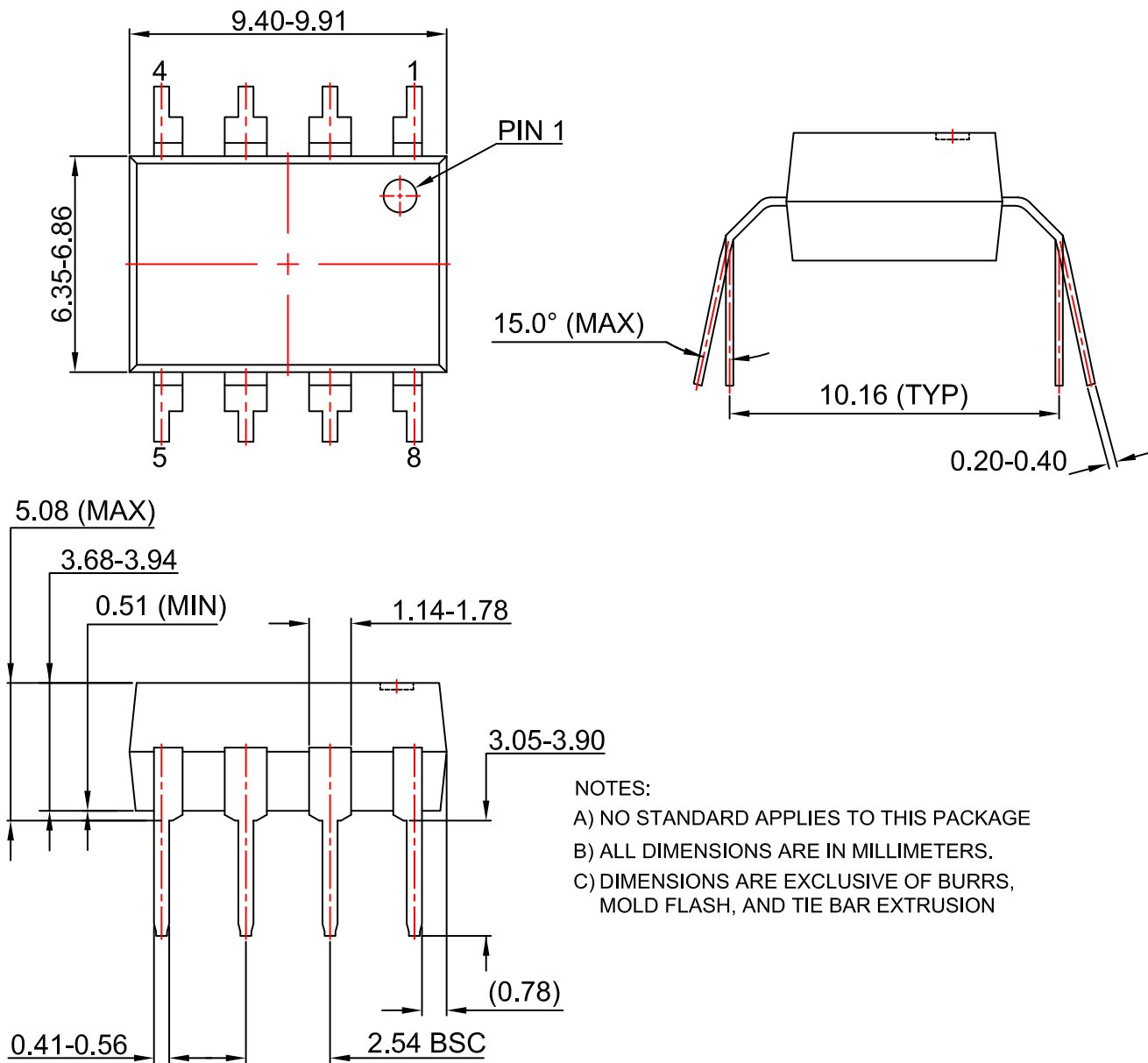
- A) NO STANDARD APPLIES TO THIS PACKAGE
- B) ALL DIMENSIONS ARE IN MILLIMETERS.
- C) DIMENSIONS ARE EXCLUSIVE OF BURRS, MOLD FLASH, AND TIE BAR EXTRUSION



# FOD3125

## PACKAGE DIMENSIONS

PDIP8 6.6x3.81, 2.54P  
CASE 646BW  
ISSUE O

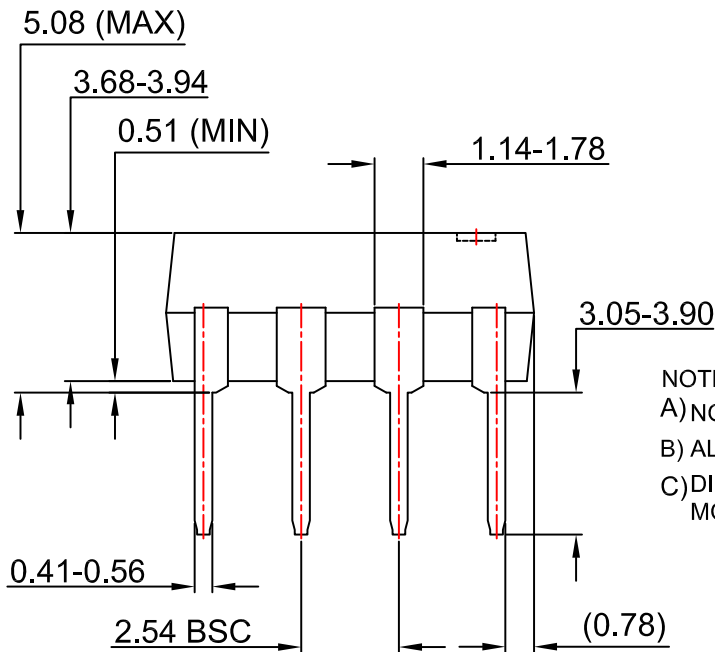
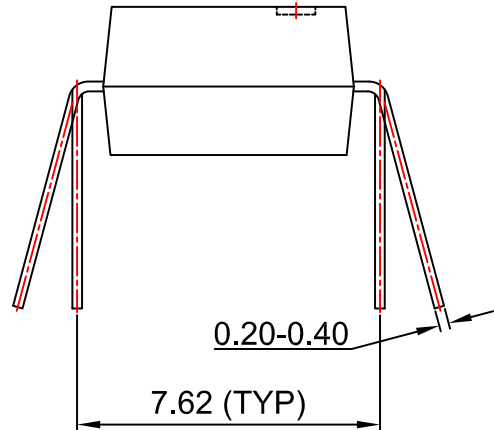
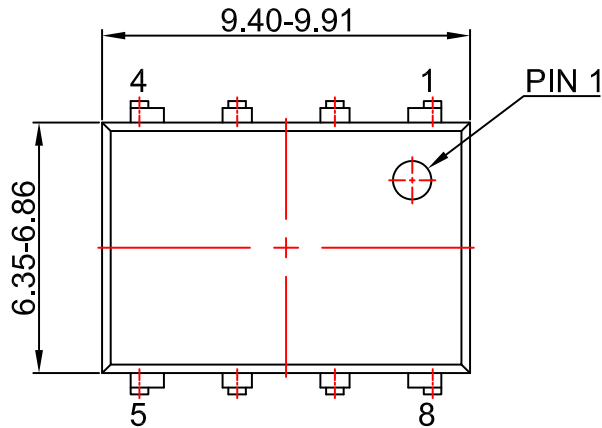


NOTES:  
A) NO STANDARD APPLIES TO THIS PACKAGE  
B) ALL DIMENSIONS ARE IN MILLIMETERS.  
C) DIMENSIONS ARE EXCLUSIVE OF BURRS,  
MOLD FLASH, AND TIE BAR EXTRUSION

# FOD3125

## PACKAGE DIMENSIONS

PDIP8 9.655x6.6, 2.54P  
CASE 646CQ  
ISSUE O



**NOTES:**

- A) NO STANDARD APPLIES TO THIS PACKAGE
- B) ALL DIMENSIONS ARE IN MILLIMETERS.
- C) DIMENSIONS ARE EXCLUSIVE OF BURRS, MOLD FLASH, AND TIE BAR EXTRUSION

ON Semiconductor and are trademarks of Semiconductor Components Industries, LLC dba ON Semiconductor or its subsidiaries in the United States and/or other countries. ON Semiconductor owns the rights to a number of patents, trademarks, copyrights, trade secrets, and other intellectual property. A listing of ON Semiconductor's product/patent coverage may be accessed at [www.onsemi.com/site/pdf/Patent-Marking.pdf](http://www.onsemi.com/site/pdf/Patent-Marking.pdf). ON Semiconductor reserves the right to make changes without further notice to any products herein. ON Semiconductor makes no warranty, representation or guarantee regarding the suitability of its products for any particular purpose, nor does ON Semiconductor assume any liability arising out of the application or use of any product or circuit, and specifically disclaims any and all liability, including without limitation special, consequential or incidental damages. Buyer is responsible for its products and applications using ON Semiconductor products, including compliance with all laws, regulations and safety requirements or standards, regardless of any support or applications information provided by ON Semiconductor. "Typical" parameters which may be provided in ON Semiconductor data sheets and/or specifications can and do vary in different applications and actual performance may vary over time. All operating parameters, including "Typicals" must be validated for each customer application by customer's technical experts. ON Semiconductor does not convey any license under its patent rights nor the rights of others. ON Semiconductor products are not designed, intended, or authorized for use as a critical component in life support systems or any FDA Class 3 medical devices or medical devices with a same or similar classification in a foreign jurisdiction or any devices intended for implantation in the human body. Should Buyer purchase or use ON Semiconductor products for any such unintended or unauthorized application, Buyer shall indemnify and hold ON Semiconductor and its officers, employees, subsidiaries, affiliates, and distributors harmless against all claims, costs, damages, and expenses, and reasonable attorney fees arising out of, directly or indirectly, any claim of personal injury or death associated with such unintended or unauthorized use, even if such claim alleges that ON Semiconductor was negligent regarding the design or manufacture of the part. ON Semiconductor is an Equal Opportunity/Affirmative Action Employer. This literature is subject to all applicable copyright laws and is not for resale in any manner.

### PUBLICATION ORDERING INFORMATION

**LITERATURE FULFILLMENT:**

Literature Distribution Center for ON Semiconductor  
19521 E. 32nd Pkwy, Aurora, Colorado 80011 USA  
**Phone:** 303-675-2175 or 800-344-3860 Toll Free USA/Canada  
**Fax:** 303-675-2176 or 800-344-3867 Toll Free USA/Canada  
**Email:** [orderlit@onsemi.com](mailto:orderlit@onsemi.com)

**N. American Technical Support:** 800-282-9855 Toll Free  
USA/Canada  
**Europe, Middle East and Africa Technical Support:**  
Phone: 421 33 790 2910

**ON Semiconductor Website:** [www.onsemi.com](http://www.onsemi.com)

**Order Literature:** <http://www.onsemi.com/orderlit>

For additional information, please contact your local Sales Representative