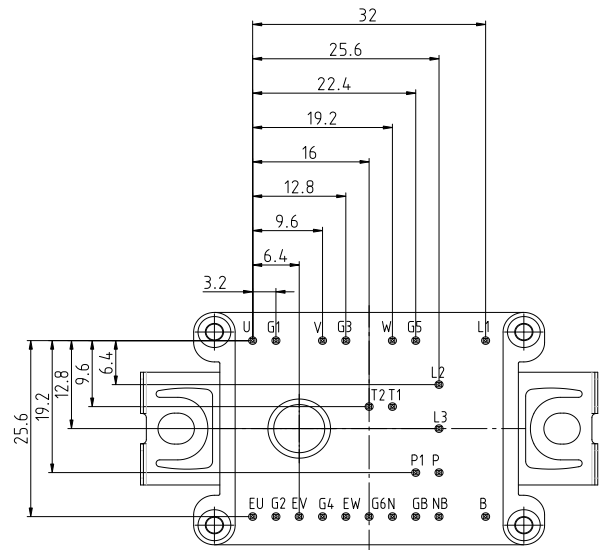
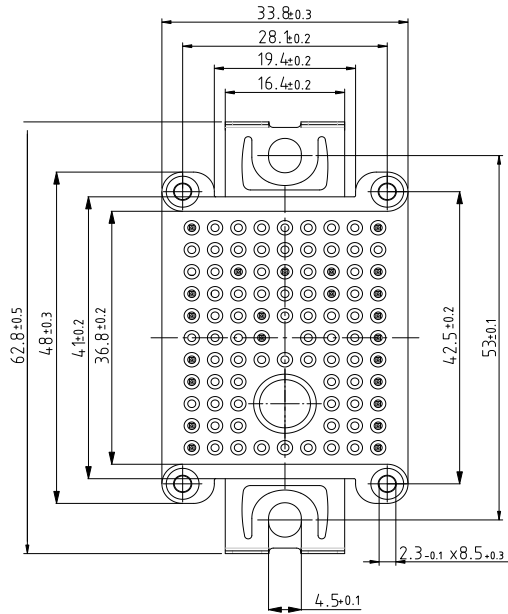
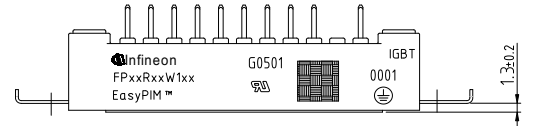
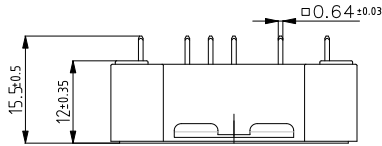
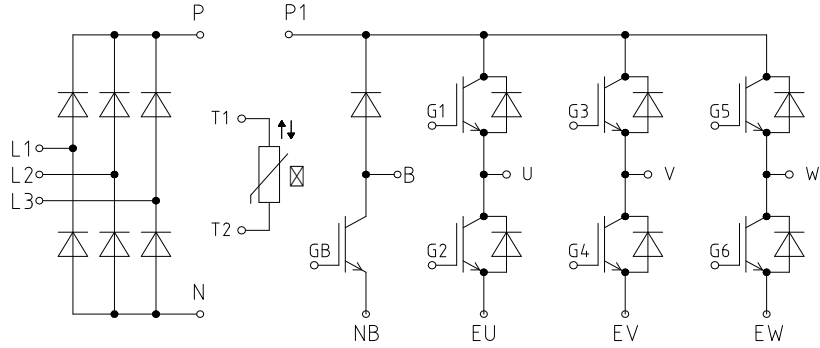


FP15R12W1T4

FP15R12W1T4



Pinpositions with tolerance $\square \pm 0.4$