

Features



- External dimensions: 2.0 x 6.0 mm.
- Frequency range: 32.768KHz.
- Frequency tolerance(standard): ± 10 ppm.
- Excellent Reliability Performance.
- Applications: clock and Microcomputer.

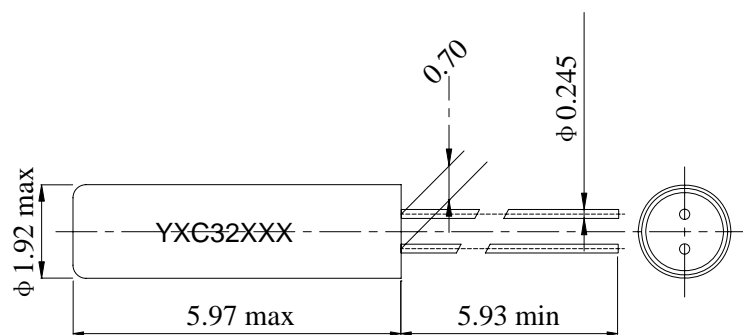
Electrical Specifications

Item / Type	YT-26
Nominal Frequency Range	32.768KHz
Load Capacitance	12.5pF , or specify
Frequency Tolerance (at 25 °C)	± 10 ppm, ± 20 ppm, or specify
Frequency Versus Temperature Characteristics	0~120 ppm, or speccify
Turnover Temperature	$-(0.036 \pm 0.01)$ ppm/ $^{\circ}\text{C}^2$
Operating Temperature	- 20 ~ + 70 °C , - 40 ~ + 85 °C , or specify
Storage Temperature	-40~+85 °C , or specify
Shunt Capacitance	1.6pF Max.
Level Of Drive	1 ~ 100 μW (1.0 μW Tvp)
Insulation Resistance	More Than 500M Ω at DC 100V
Frequency Aging (at 25 °C)	± 3 ppm / year Max.

Equivalent Series Resistance(ESR)

Fundamental	
32.768 KHz	40K Ω Max.

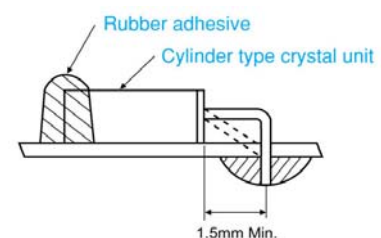
Dimensions



Units: mm(± 0.1 mm)

● Mounting of cylinder type products:

Soldering the body of the cylinder type crystal units with PCB must be avoided due to deteriorate the characteristics or damage the products. Rubber adhesive is recommended.



● Soldering

Lead wires should be soldered within 3 seconds with the soldering iron heated to a temperature no higher than 300°C