

# CRYSTAL UNIT

## 32.768KHZ

### YT-26FA

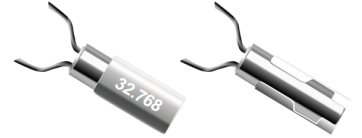


#### Applications

- RTC

#### Features

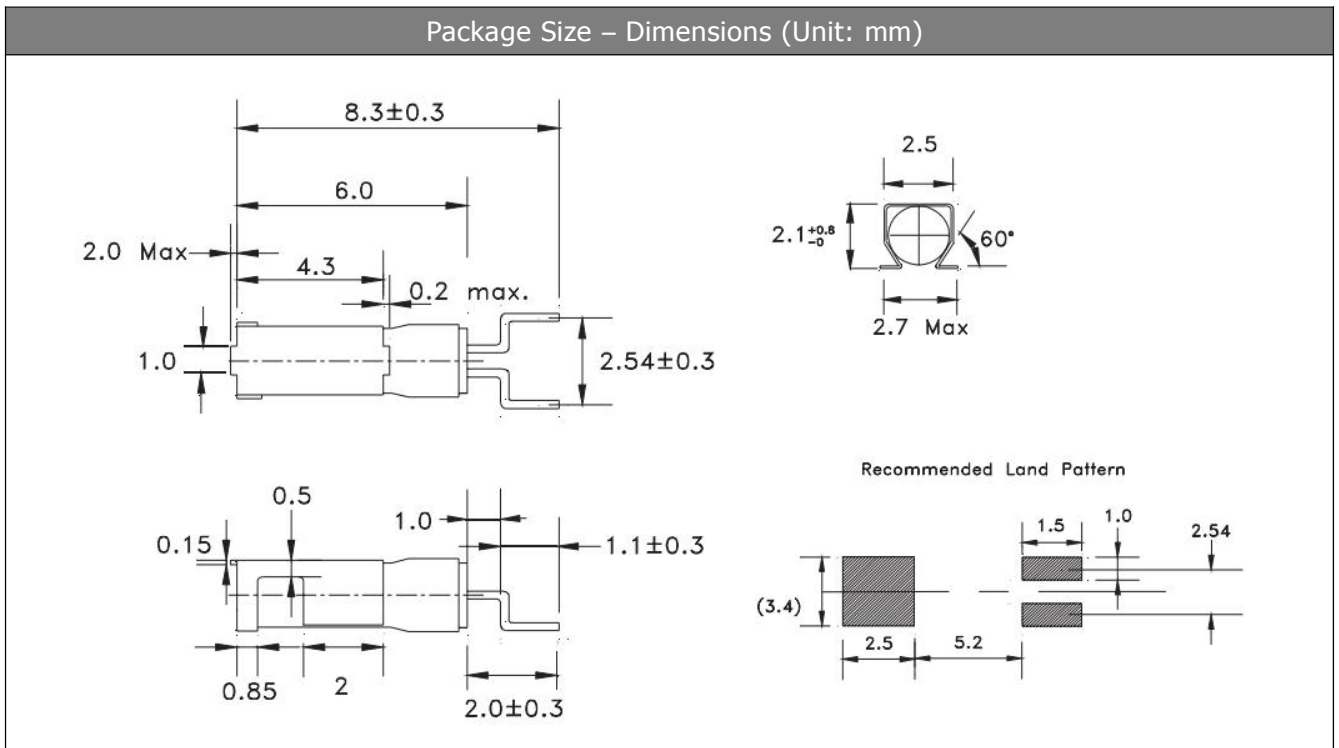
- Dimensions: 2.5 x 6.0 mm.
- Standard Frequency: 32.768KHz.
- Reflow is possible.
- Low impedance performance.



### Specifications

Standard Frequency	32.768 KHz
Load Capacitance	12.5pF, or specify
Frequency Tolerance (at 25 °C )	±20ppm, or specify
Turnover temperature	25 ± 5°C
Parabolic Coefficient	( - 0.034 ± 0.006 ) * 10 <sup>-6</sup> / °C <sup>2</sup>
Operating Temperature	-20~+70°C, -40~+85°C, or specify
Storage Temperature	-55~+125°C
Shunt Capacitance	2.0pF Max.
Level of Drive	1.0µW Typ
Aging (at 25 °C )	±5ppm/year Max.
Equivalent Series Resistance(ESR)	40K Ω Max.
Insulator Resistance	500 M Ω at DC100V

### Dimensions and Patterns [unit:mm]



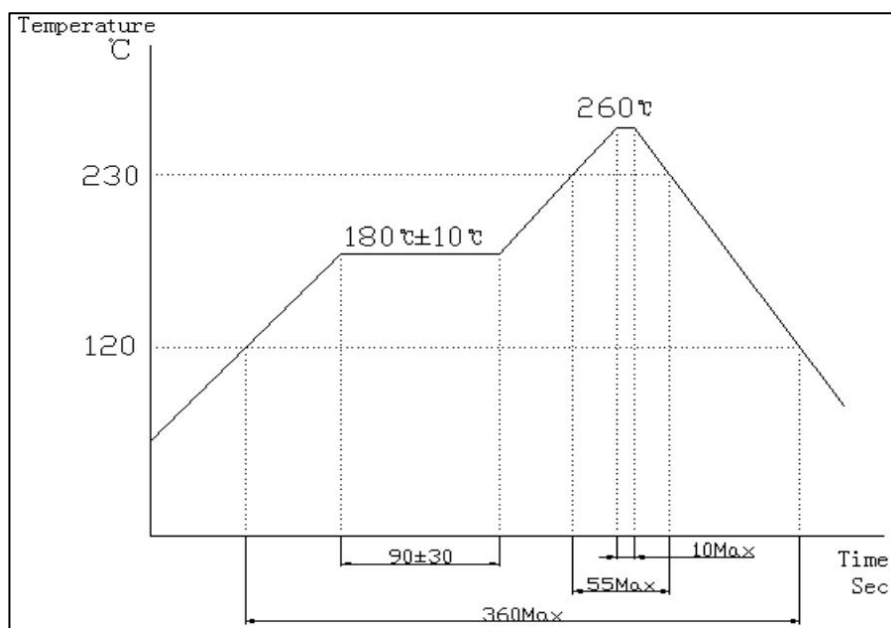
# CRYSTAL UNIT

32.768KHZ

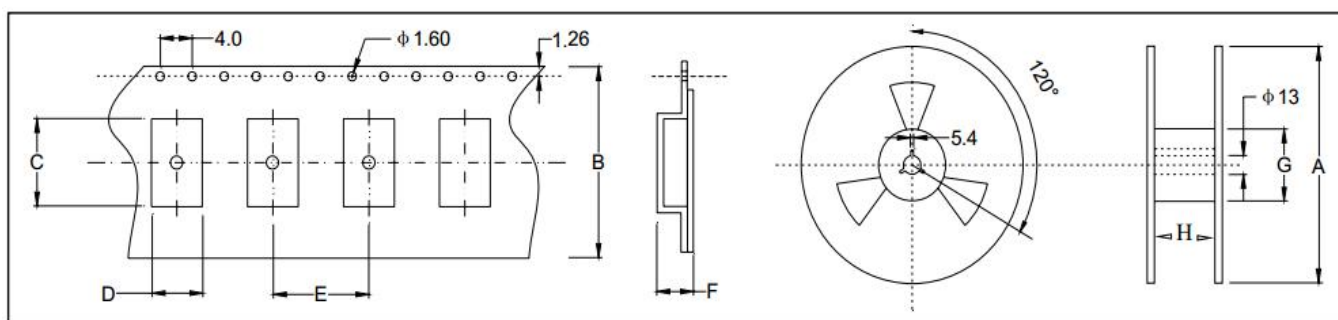
YT-26FA



## Reflow Soldering Profile



## Taping Specification (Unit: mm)



Size	A	B	C	D	E	F	G	H
SMD-2060FA	330 ± 2.0	16.0 ± 0.3	9.70 ± 0.1	5.00 ± 0.1	8.0 ± 0.1	2.50 ± 0.1	100.0 ± 1.0	17.5 ± 1.0
3000 pcs per reel								