

CRYSTAL UNIT

32.768KHZ

YT-26F SMD



Applications

- RTC

Features

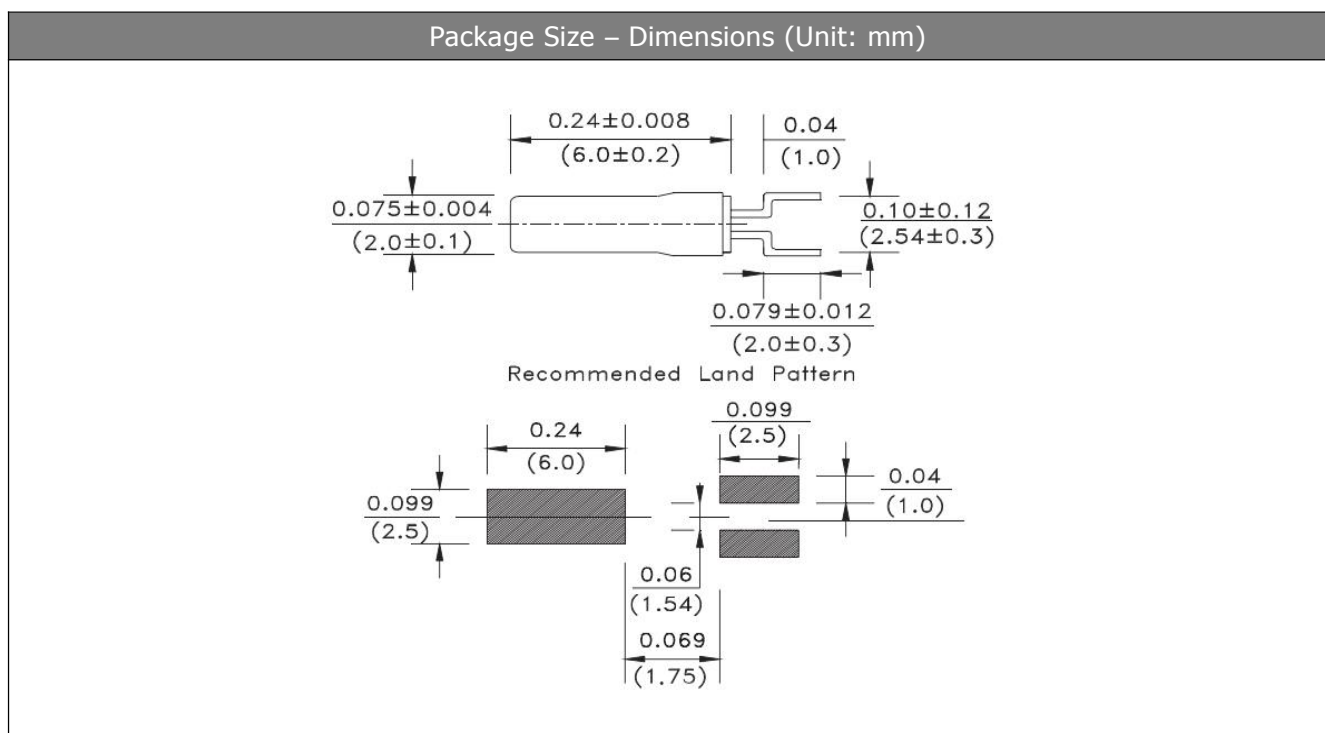
- Dimensions: 2.0 x 6.0 mm.
- Standard Frequency: 32.768KHz.
- Reflow is possible.
- Low impedance performance.



Specifications

Standard Frequency	32.768 KHz
Load Capacitance	12.5pF, or specify
Frequency Tolerance (at 25 °C)	±20ppm, or specify
Turnover temperature	25 ± 5°C
Parabolic Coefficient	(- 0.034 ± 0.006) * 10 ⁻⁶ / °C ²
Operating Temperature	-20~+70°C, -40~+85°C, or specify
Storage Temperature	-55~+125°C
Shunt Capacitance	2.0pF Max.
Level of Drive	1.0µW Typ
Aging (at 25 °C)	±5ppm/year Max.
Equivalent Series Resistance(ESR)	50K Ω Max.
Insulator Resistance	500 M Ω at DC100V

Dimensions and Patterns [unit:mm]



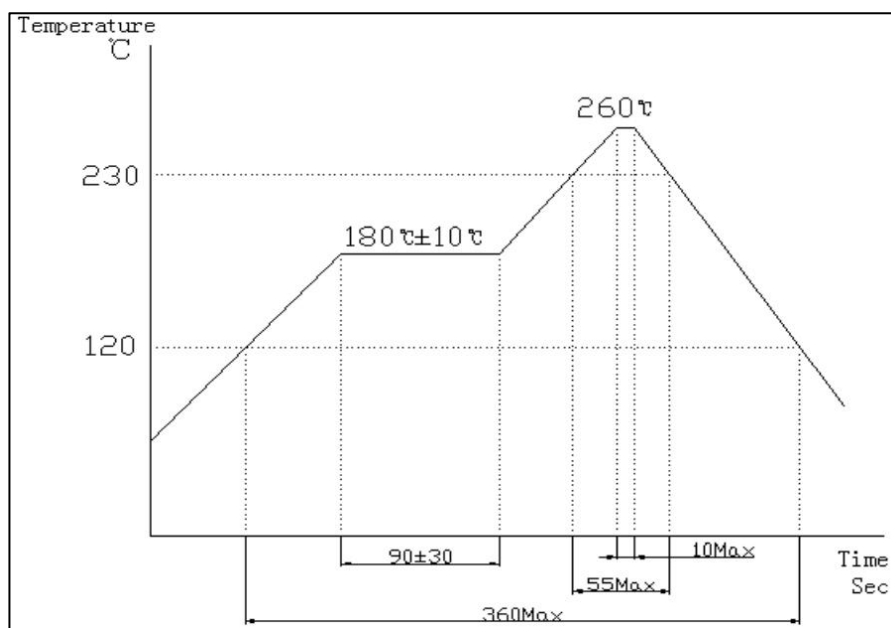
CRYSTAL UNIT

32.768KHZ

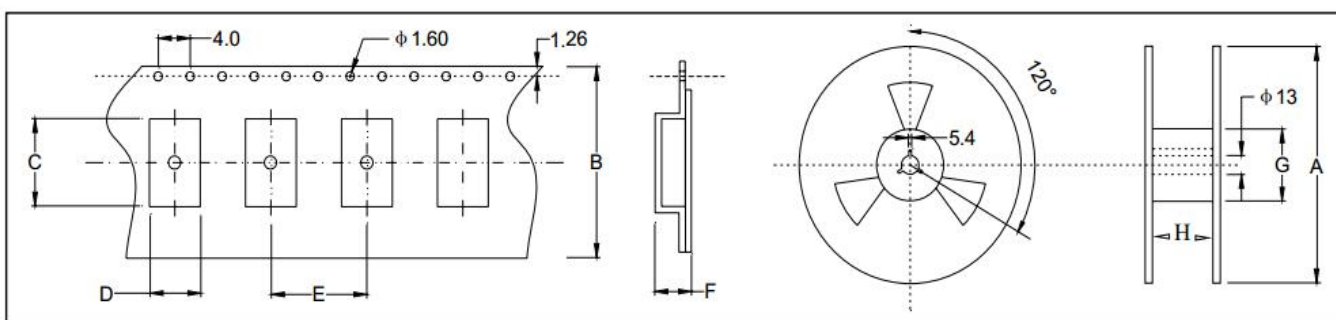
YT-26F SMD



Reflow Soldering Profile



Taping Specification (Unit: mm)



Size	A	B	C	D	E	F	G	H
SMD-2060F	330 ± 2.0	16.0 ± 0.3	9.70 ± 0.1	5.00 ± 0.1	8.0 ± 0.1	2.50 ± 0.1	100.0 ± 1.0	17.5 ± 1.0
3000 pcs per reel								