

CRYSTAL UNIT

YSX1210SL Small Size

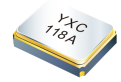


Applications

- SmartWearable
TWS IOT
Communication.

Features

- Dimensions: 1.20 x 1.00 x 0.35 mm.
- Ultra-thin thickness 0.35mm..
- Standard Frequency: 32~60MHz
- Excellent heat resistance and environmental characteristics.



Specifications

Standard Frequency	32~60 MHz
Vibration Mode	AT Fundamental
Load Capacitance	8pF, 9pF, 12pF, or specify
Frequency Tolerance (at 25)	±10ppm, ±20ppm, or specify
Frequency Versus Temperature Characteristics	±20ppm, or specify
Operating Temperature	-30~+85°C , or specify
Storage Temperature	-40~+85°C , or specify
Shunt Capacitance	3 pF Max.
Level of Drive	100 μWMax.
Aging (at 25 °C)	±2ppm/year Max.

Equivalent Series Resistance(ESR)

Fundamental	
32 ~ 40 MHz	150 Ω Max.
41 ~ 60 MHz	100 Ω Max.

Dimensions and Patterns [unit:mm]

Package Size – Dimensions (Unit: mm)

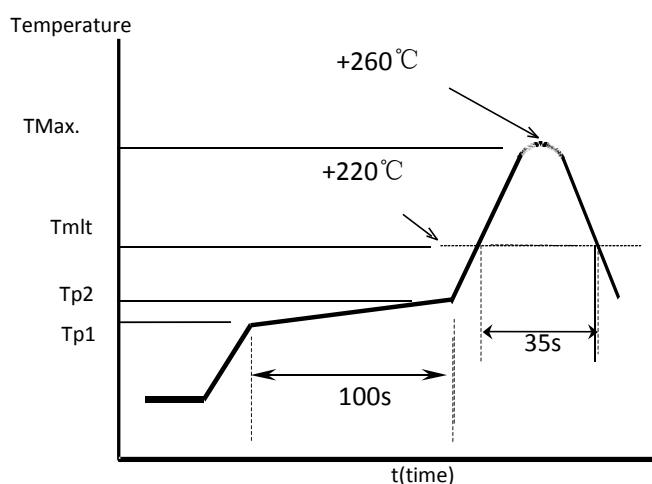
CRYSTAL UNIT

YSX1210SL *Small Size*

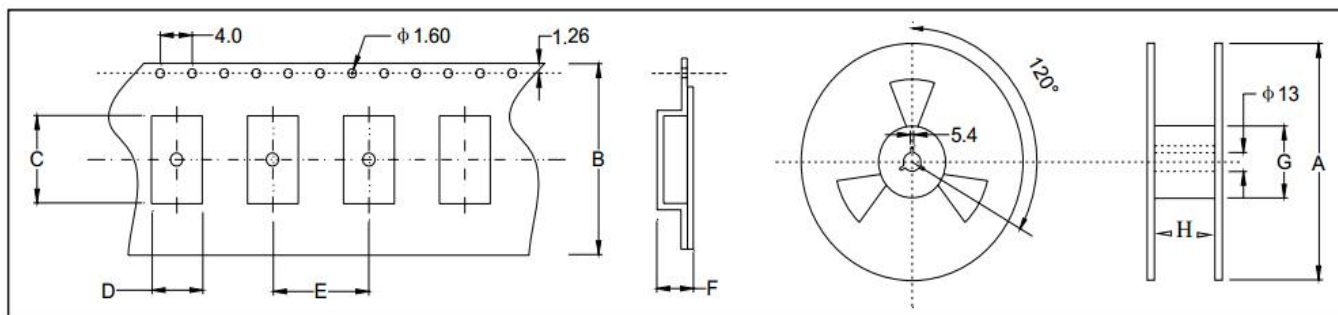


Reflow Soldering Profile

Pre Heating Temperature
 Tp1 ~ Tp2 = + 170 °C
 Heating Temperature
 TMI = + 220 °C
 Peak Temperature
 TMax. = + 260 °C
 Point of measuring
 In case of Solder ability
 Terminal.
 In case of Resistance to soldering heat
 Surface.



Taping Specification(Unit: mm)



Size	A	B	C	D	E	F	G	H
SMD-1210	180±2.0	8.0±0.3	1.30±0.1	1.10±0.1	4.0±0.1	0.45±0.1	61.0±1.0	8.0±1.0

3000 pcs per reel