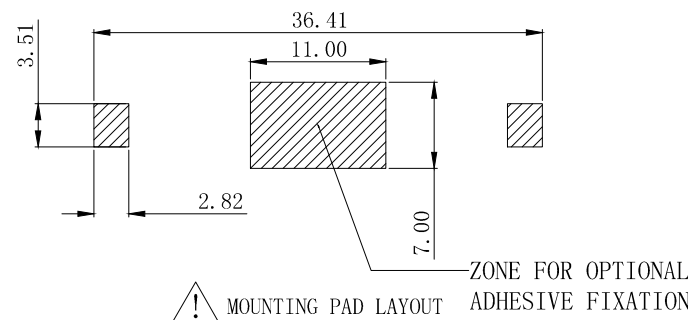
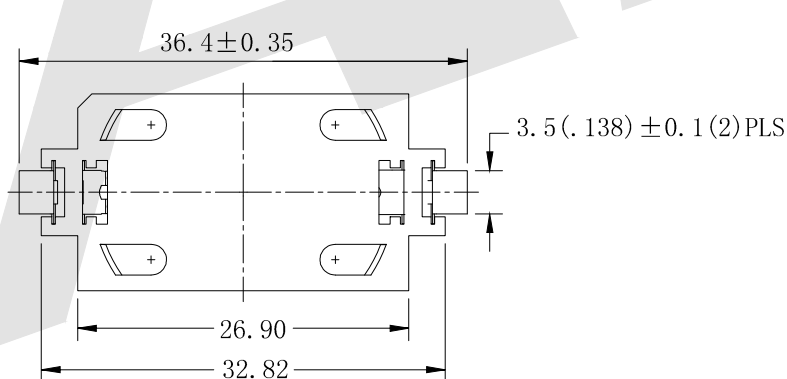
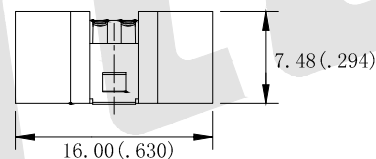
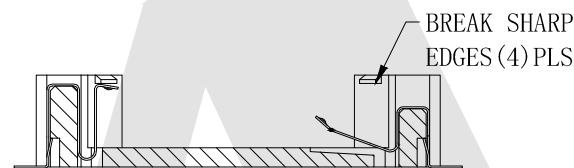


NOTES:  
 1, BASE:  
 MAT'L: GLSAA FILED LCP UL 94V-0  
 2, CONTACTS:  
 MAT'L: 0.15mm TH' K PHOSPHOR BRONZE  
 FINISH: GOLD FLASH PLATING

Order code:  
 BT - M - G0 - R - CR2450C  
 ① ② ③ ④ ⑤

- ① BT: Coin Cell Holders
- ② Appearance for the product  
M: SMT TYPE  
S: 180 TYPE  
R: 90 TYPE
- ③ Contact Plating  
SN: Tin  
G0: Gold flash  
G1: 3U" Gold  
G2: 5U" Gold  
G3: 10U" Gold  
G4: 15U" Gold  
G5: 30U" Gold
- ④ Packing method  
A: Tray packing  
R: Tape & reel packing
- ⑤ Product number  
CR2450C



Unless Otherwise specified tolerance  
 X. ±0.35 X.XX: ±0.20  
 X.X: ±0.25 X.XXX: ±0.15

**Antenk**® ANTENK ELECTRONICS CO., LTD  
[Http://www.antenk.com](http://www.antenk.com)  
 E-mail: sales@antenk.com

REV	DESCRIPTION	DATE
	⚠ ADD MOUNTING PAD LAYOUT	07/08/2020

SCALE:	UNIT:
As Shown	mm
DRAW Lv Xun Hua	DATE 29/03/2019
CHECK BobYang	DATE 29/03/2019

TITLE:	Coin Cell Holders For CR2450
DRAWING NO:	BT-M-G0-R-CR2450C
PRODUCT NO:	BT-M-G0-R-CR2450C

