

RAFIX 22 QR, 选择开关, 圆形卡圈, 长旋转手柄, 前圈 银灰色, 1 x 90°, V 形, 声感的



主要应用领域

- › 测量-控制-校准
- › 电子工程
- › 机械制造
- › 汽车制造

特性

- › 不透明的扭转握把标记, 不能照明
- › 通过不同的前环颜色进行设计调整
- › 对于有三个开关位置的选择开关(例如, 2 x 90°与中性位置), 根据旋转方向, 左或右开关元件驱动。
- › 牢固的模制项圈密封, 在安装过程中不能扭曲或丢失。
- › 1人安装: 元件被密封圈夹在安装孔中, 然后可以从后面拧开。
- › 坚固 - 也适合戴着手套操作
- › 保护程度。前端为IP65
- › 由于有带爪子的螺纹环, 可提供额外的保护, 防止扭曲
- › 安装直径22.3毫米
- › 需要单独的开关元件
- › 可近距离安装执行器(最小30 x 50 mm), 因为接线是从后面轴向进行的
- › 带银触点(最大400V)或金触点(最大35V/100mA)的开关元件
- › 开关元件的连接类型: 笼式夹子、螺钉连接或插入式连接



描述

RAFIX控制单元是由多个部件组成的模块化单元。在RAFIX 22 QR系列中，它们总是由执行元件、联轴器和开关元件组成，或由灯附件、联轴器和灯座组成。装配时，首先将开关元件和灯座套入联轴器中。然后将本装置套接在执行元件或信号灯上。要释放，必须启动卡口杆。

执行元件（如按钮或紧急停止执行器）只有在与适当的开关元件装配在一起时才具有指定的触感和功能。对于照明型执行器和照明型附件，请使用灯座/LED元件作为联轴器的中间元件。

对于RAFIX 22 QR执行元件，您可以选择两种环形：圆形和方形。根据标准，安装直径为22.3mm。如有必要，可以用螺丝刀轻松拆卸防转环。

技术参数

> 一般

前圈颜色	银灰色
卡圈形状	圆形
工作温度, 最低	-25 °C
存储温度, 最低	-40 °C
工作温度, 最高	70 °C
存储温度, 最高	80 °C
可发光	否
包装	包装纸盒
包装数量	10 碎片
净重	23.1 公克
使用寿命	500,000 次
B10	650,000 次
正面保护方式遵照DIN EN 60529	IP65
环境影响耐抗性	IEC 60068-2-14 IEC 60068-2-30 IEC 60068-2-33 IEC 60068-2-78
防护等级	II
MOQ 秩序	50 碎片
RoHS 一致性	是
REACH 一致性	是

直接链接

> RAFI eCatalog

> 安装尺寸

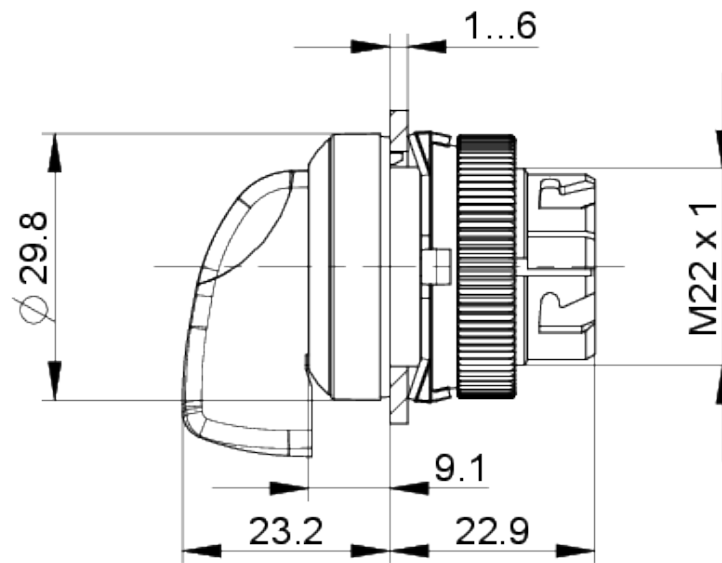
安装孔	22.3 毫米
安装深度	56.4 毫米
安装高度	22.2 毫米
矩阵安装间距, 最少	50 x 30 毫米
外径尺寸	29.8 毫米

The information in this data sheet only contains general descriptions and / or performance features, which may not apply precisely as described to the respective application, and which may change due to further product enhancements. The technical data, illustrations and other information about our products are the mere results of individual technical testing. These descriptions and other product features are only binding if they expressly agreed upon at the time of the conclusion of a binding contract. In all other cases, we reserve the right to make technical changes as well as changes of availability. Pictures and other graphic illustrations are approximations only. All product names may be trademarks or brand names of the RAFI Group or any other sub-supplier of RAFI. The use of such by any third parties for their own purposes may infringe the rights of the respective entity holding those rights.

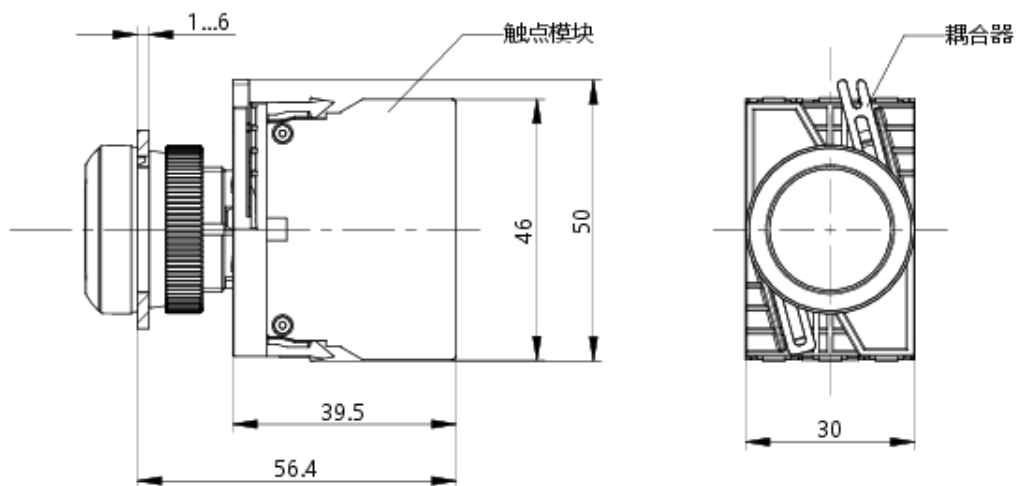
外径尺寸	29.8 毫米
正面高度	45.1 毫米
卡圈尺寸	ø 29,8 毫米
> 机械特性	
操作功能	自复位功能
操作力, 最小	5 N
最大执行扭矩	2 牛顿计
旋转角度	1 x 90°, V 形
固定	螺圈
螺圈扭矩, 最大	1.2 牛顿计

图纸

尺寸图

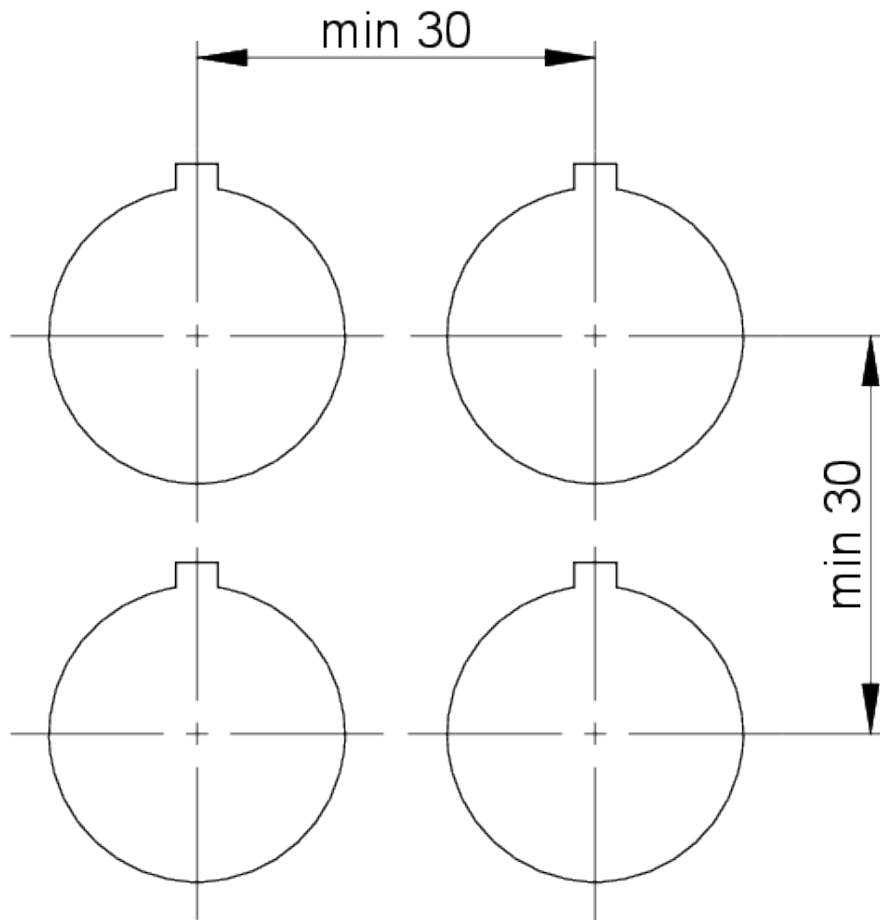


系统示意图



The information in this data sheet only contains general descriptions and / or performance features, which may not apply precisely as described to the respective application, and which may change due to further product enhancements. The technical data, illustrations and other information about our products are the mere results of individual technical testing. These descriptions and other product features are only binding if they expressly agreed upon at the time of the conclusion of a binding contract. In all other cases, we reserve the right to make technical changes as well as changes of availability. Pictures and other graphic illustrations are approximations only. All product names may be trademarks or brand names of the RAFI Group or any other sub-supplier of RAFI. The use of such by any third parties for their own purposes may infringe the rights of the respective entity holding those rights.

前面板示意图



The information in this data sheet only contains general descriptions and / or performance features, which may not apply precisely as described to the respective application, and which may change due to further product enhancements. The technical data, illustrations and other information about our products are the mere results of individual technical testing. These descriptions and other product features are only binding if they expressly agreed upon at the time of the conclusion of a binding contract. In all other cases, we reserve the right to make technical changes as well as changes of availability. Pictures and other graphic illustrations are approximations only. All product names may be trademarks or brand names of the RAFI Group or any other sub-supplier of RAFI. The use of such by any third parties for their own purposes may infringe the rights of the respective entity holding those rights.