

Filterless Class D Audio Amplifier

General Description

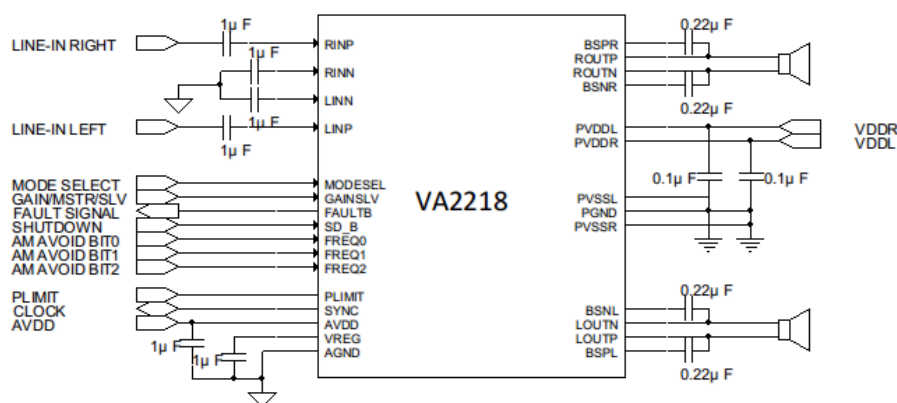
The VA2218 is a cost-effective filter-less Class D stereo audio power amplifier that operates in wide range of various power supplies. VA2218 provide gain control with simple voltage dividers. VA2218 can output 30W per channel into 4Ω or 8Ω load with lower supply current and fewer external components for driving bridged-tied stereo speaker directly. Five different PWM frequency adjustment makes VA2218 is suitable for any consumer electronics especially for high power output speakers. With the function of power limit, the speakers could be operated safely and the input signal would be also normalized.

VA2218 operates with high efficiency energy conversion up to 90% (8Ω Load) so that the external heat sink can be eliminated while playing music.

VA2218 also integrates Anti-Pop, Output Short & Over-Heat Protection Circuitry to ensure device reliability. This device also provides the DC detect and protection scheme to prevent the damage of speaker voice coils.

The VA2218 is available in TSSOP-28 and TQFP-48 green package with exposed pad.

Typical Application



Features

- Operation Voltage from 4.5V to 26V
- Maximum 90% Efficiency with an 8Ω Speaker
- 2x30W@8Ω, THD+N <2% at 24V
- 2x40W@4Ω, THD+N =1% at 21V
- 2x30W@4Ω, THD+N =1% at 18V
- 1x50W@4Ω, THD+N=10% at 18V (PBTL)
- 1x60W@3Ω, THD+N<1% at 21V (PBTL)
- Multiple Switching Frequencies for AM Avoidance
- Optional Clock Master/Slave Synchronization
- 4/5 Segments Configurable PWM Frequency: 400kHz/500kHz/600kHz/1MHz/1.2MHz
- Voltage-Divider Selectable Gain Settings
- Excellent EMI/EMC Performance
- Scalable Power Limit Function
- Fault Indication Output Terminal
- Speaker DC Detection and Protection
- Parallel BTL Speaker Driving Connection
- Thermal Protection with Auto-Recovery
- Speaker Protection Circuitry
- Short Circuit and Thermal Protection
- RoHS 2.0 compliant TSSOP-28 and TQFP-48 Green Package with Exposed Pad

Applications

- LCD TV
- Multimedia Speaker
- Aftermarket Automotive
- Sound Bar and Boombox