

※ 2018 Available



SPECIFICATIONS

RATING : 24VADC/1A PULSE MODE.
OPERATING LIFE : 10MILLION CYCLE MIN.
CONTACT RESISTANCE : 1Ω MAX.
OPERATING TEMPERATURE: -20°C to 65°C.

MATERIALS

BUSHING: Aluminum alloy.
SEALING : Silicone,EPOXY.
HEX NUT : Nickel plated brass.



HOW TO ORDER

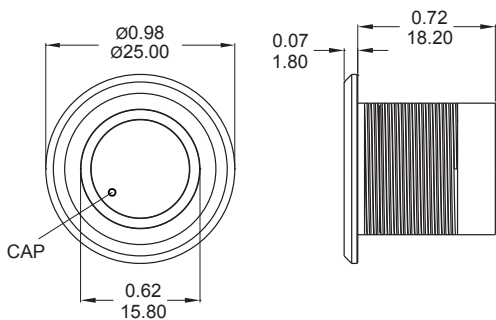
MODEL NO.	BUSHING	CONTACT CONFIGURATION	RATING	BODY TYPE	BUTTON TYPE	LIGHT TYPE	CAP MARKING	LED COLOR	WIRE
TZ		N	B4	F1	M	E	00	3C	
	Bushing 19 19mm 22 22mm	Contact Configuration N Momentary/Pulse	Rating B4 24VADC / 1A	Body type F1 Al alloy, Double flated (Natural anodized)	Button type M F	Light type E Illuminated ring	Cap marking 00 No	LED Color 3C RGB	Wire D101 26AWG 150mm+2.54 Connector D102 26AWG 300mm+2.54 Connector



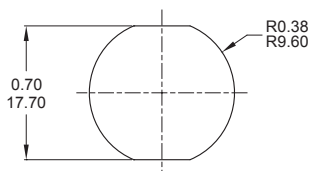
TZ
Pizeo switch

LIGHT TYPE

E Ring

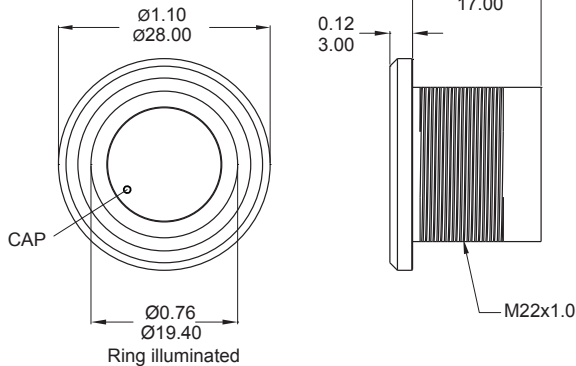


PANEL CUTOUT

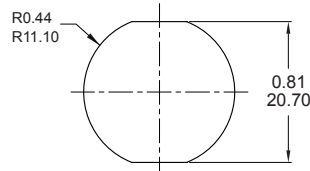


MAX. PANEL THICKNESS: 10.0mm [0.394]

E Ring



PANEL CUTOUT

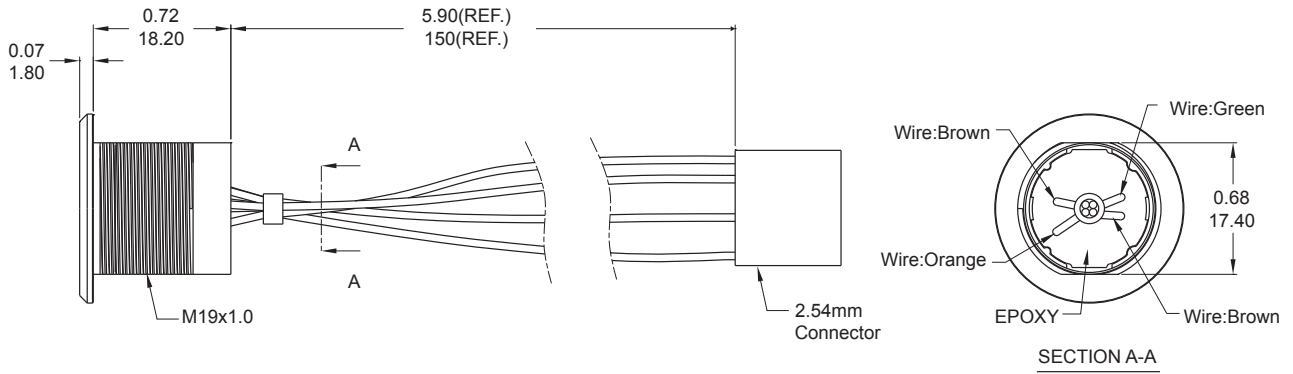


MAX. PANEL THICKNESS: 10.0mm [0.394]

TZ Series

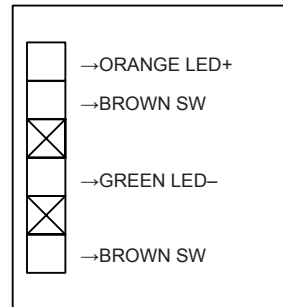
Pizeo switch (Pulse)

WIRE



Part No. Shown : TZ19N-B4-F1ME00-3C-D101

Pin Assignment

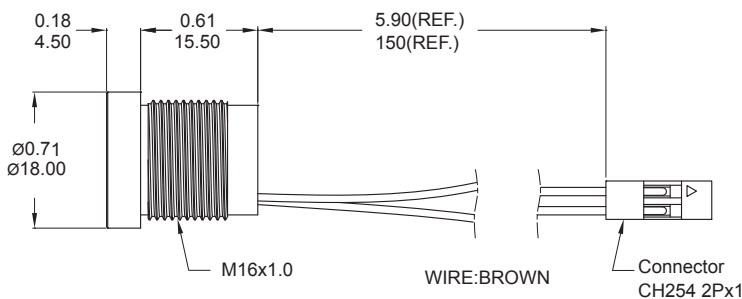


TZ16 HOW TO ORDER

※ 2018 Available

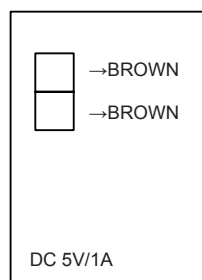
MODEL NO.	BUSHING	CONTACT CONFIGURATION	RATING	BODY TYPE	BUTTON TYPE	LIGHT TYPE	CAP MARKING	LED COLOR	WIRE
TZ	16	N	B4	F1	M	E	00	00	
Bushing 16 16mm(STD)	Contact Configuration N Momentary/Pulse	Rating B4 24VADC / 1A	Button type H High flat	Light type E Illuminated ring	Cap marking 00 No	LED Color 00 Without LED	Wire D101 26AWG 150mm +2.54 Connector D102 26AWG 300mm +2.54 Connector		
				Body type F1 Al alloy, Double flated (Natural anodized)					

WIRE



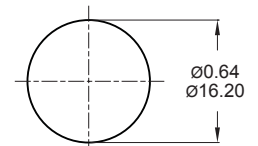
Part No. Shown : TZ19N-B4-F1ME00-3C-D101

Pin Assignment



PANEL CUTOUT

MAX. PANEL THICKNESS:
8.0mm[0.315](Max.)



TZ Pizeo switch