

## SPECIFICATIONS

**CONTACT RESISTANCE :** 10 mΩ MAX.

**INSULATION FORCE:** Push Force: 2000±500g

Pull Force: 2100±600g

Total Travel: 2mm±0.2

### OPERATING LIFE :

Electronics Life: 4A,24VDC,10 000cycles

Mechanical Life: 6-8 Operation cycles per minute,100,000cycles

**OPERATING TEMPERATURE:** -40±3°C(96hours)to+ 85±3°(96hours)

### DIELECTRIC STRENGTH:

1,000V RMS 50HZ MIN.Between terminals

2,000V RMS 50HZ MIN.Between terminals and metal panel

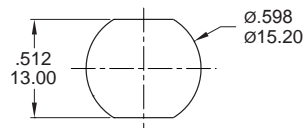


## CIRCUIT / PANEL MOUNTING

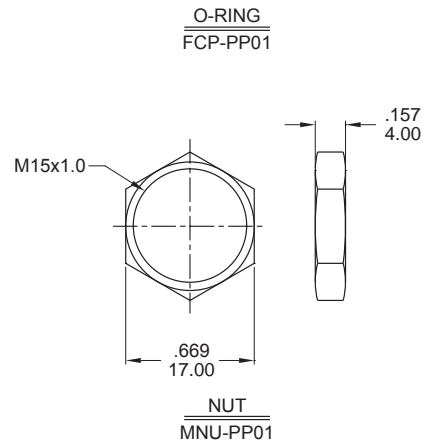
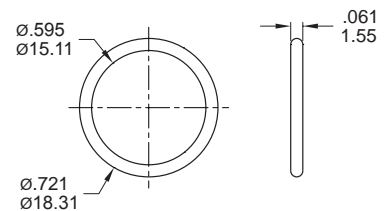
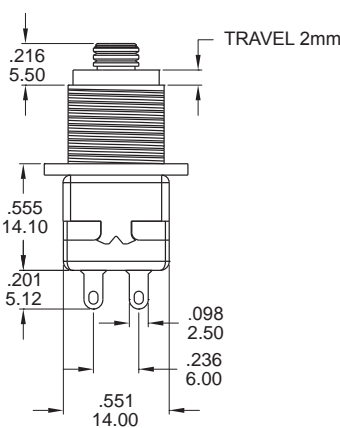
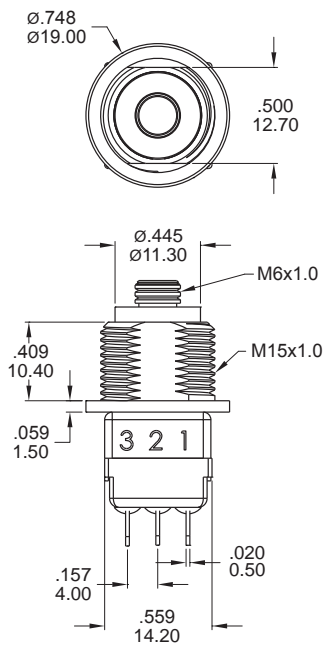
### CIRCUIT

NO. POLES	Push	ON	1-3 4-6
	Pull	ON	1-2 4-5

### DECOUPE DU PANNEAU PANEL CUT-OUT



Part No. Shown : PTW-003

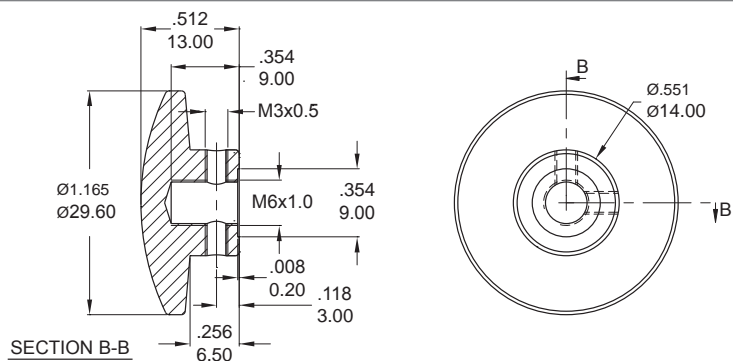


## CAP

Part No. Shown : CP-PP04-3



MATERIAL: Aluminum  
SURFACE TREATMENT: Anodized, RED



PTW  
Push-Pull switch