

※ 2018 Available



SPECIFICATIONS

RATING : 5-24VADC/1A

OPERATING LIFE : 10MILLION CYCLE MIN.

CONTACT RESISTANCE : 1Ω MAX.

OPERATING TEMPERATURE: -20°C to 65°C.

MATERIALS

BUSHING: Aluminum alloy.

CAP : PC ; Aluminum alloy.

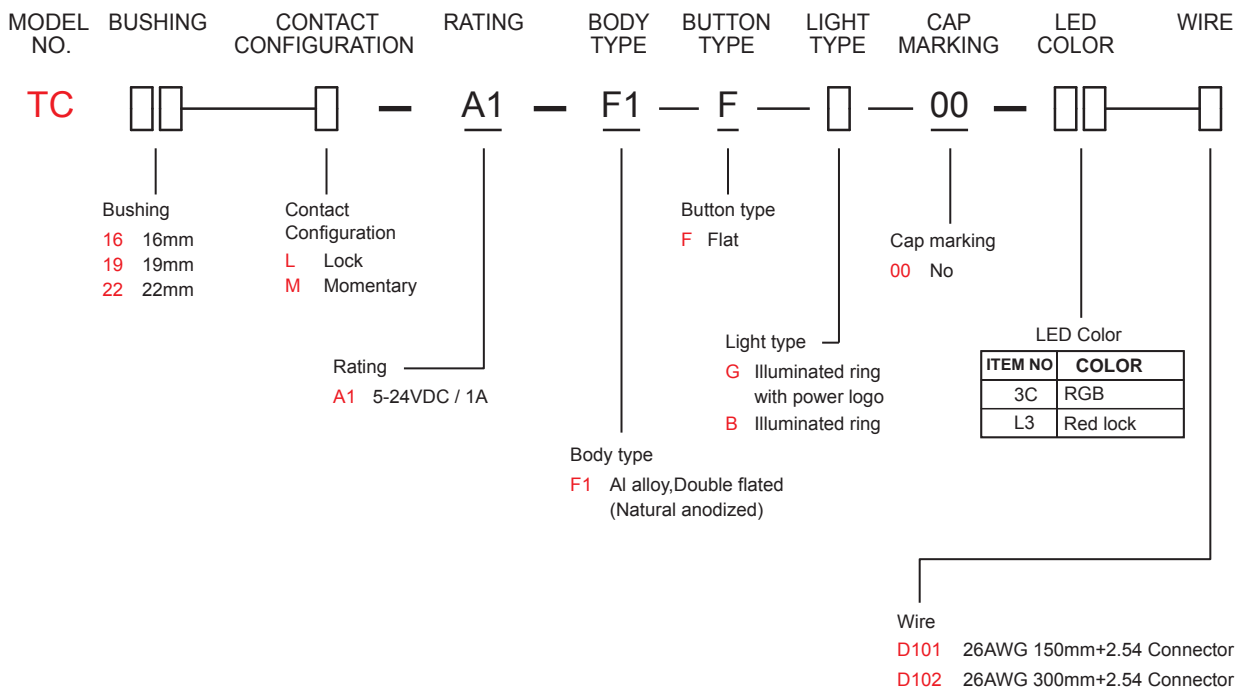
SEALING : Sillicone,EPOXY.

O-RING: Sillicone.

HEX NUT : Nickel plated brass.



HOW TO ORDER

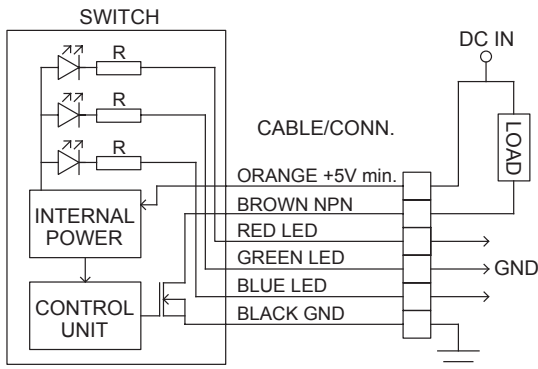


TC
Capacitive switch

CIRCUIT

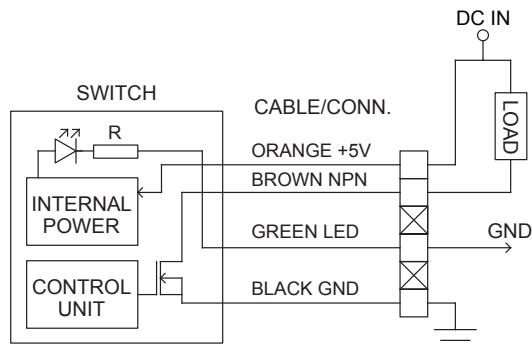
RGB Color LED

Application diagram



L3 Color LED

Application diagram

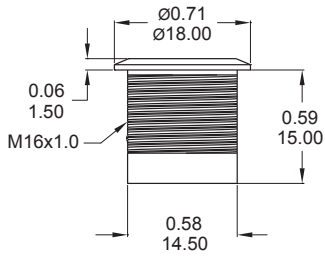


TC Series

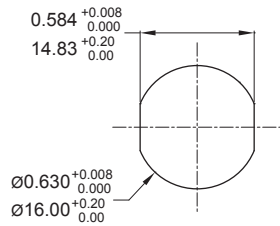
Capacitive switch

BUSHING

16mm

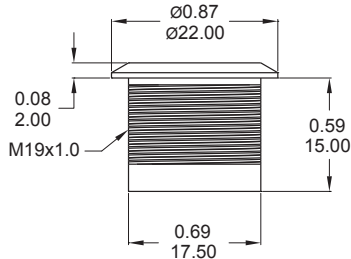


PANEL CUTOUT

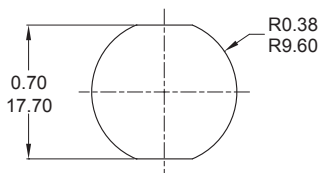


MAX.PANEL THICKNESS:0.8mm[0.315](Max.)

19mm

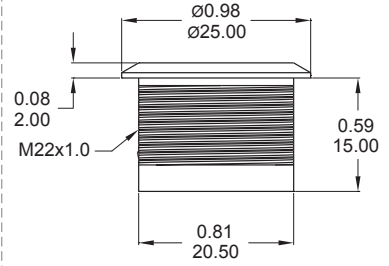


PANEL CUTOUT

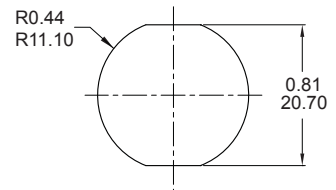


MAX.PANEL THICKNESS:10.0mm[0.394]

22mm



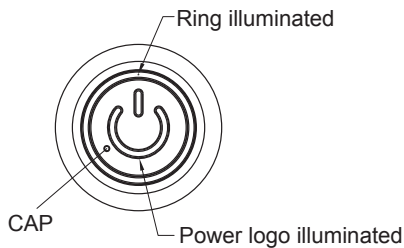
PANEL CUTOUT



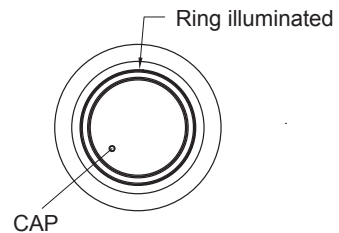
MAX.PANEL THICKNESS:10.0mm[0.394]

LIGHT TYPE

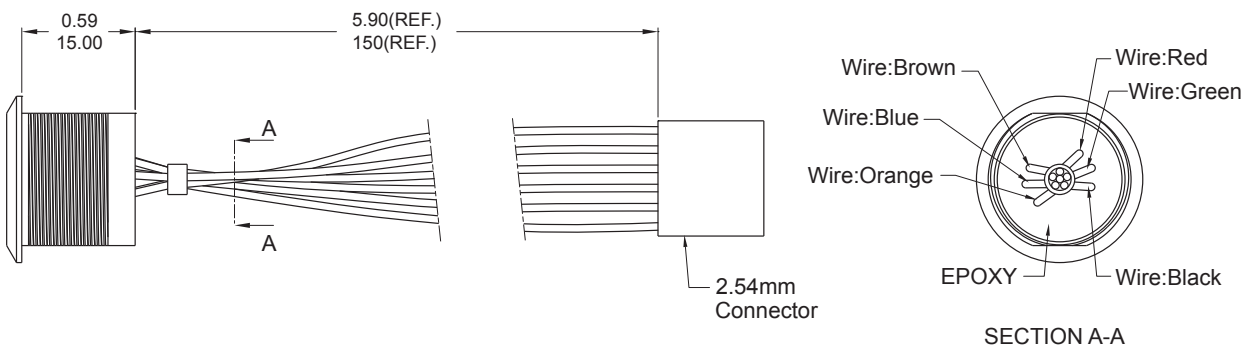
G Power logo+Ring



B Ring



WIRE



Part No. Shown : TC□□□-A1-F1FB-00-3C-D101

TC
Capacitive switch