

MPB16L Series

16mm Metal Pushbutton Switches(LOCK)



SPECIFICATIONS

- RATING** : 2A/36VDC.
- ELECTRICAL LIFE** : 100,000 Make-And-Break Cycles At Full Load.
- INSULATION RESISTANCE** : 1,000MΩ Min. at 500VDC.
- DIELECTRIC STRENGTH** : 2,000V RMS@sea level.
- CONTACT RESISTANCE** : 50mΩMax.
- OPERATION TEMPERATURE** : -20°C~+70°C
- TRAVEL**: About 2.3mm.
- OPERATION PRESSURE** : 4.5N±1.5N
- INGRESS PROTECTION** : IP67
- TORQUE** : 11.5 kgf · cm
- THICKNESS** : 6.0mm (Max.)
- CAP Keeps same high.**
- Current limiting resistor is required to limit LED forward current to 20mA.**

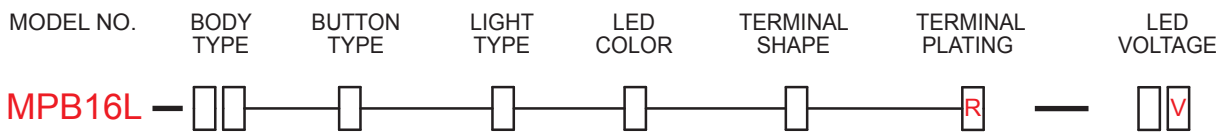
MATERIALS

- BUSHING** : Aluminum alloy,Anodized.
- BASE** : Nylon 6/6.
- ACTUATOR** : Nylon 6/6.
- CAP** : PC,Aluminum alloy,Anodized.
- SPRING** : Steel.
- SEALING** : Silicone.
- O-Ring** : Silicone.
- TERMINAL** : Brass,Coin silver,Gold flash plated.
- CONTACT** : Brass,Coin silver,Gold flash plated.
- NUT** : Brass(Zinc Plated).



HOW TO ORDER

IP 67
ACCORDING TO
EN 60529:1991+A1:2001
IEC 60529:2001



Body type
CA AL alloy (Natural Anodized)
CB AL alloy (Black Anodized)

Button type
R Round
E Ring
P Power logo

Terminal shape
J Solder terminal
T1 Wire length 500mm

Terminal plating
R Gold flash

LED color

| ITEM NO | COLOR |
|------------------|------------|
| Single color led | |
| 01 | White |
| 03 | Red |
| 05 | Yellow |
| 06 | Green |
| 07 | Blue |
| Bi color led | |
| 36 | Red&Green |
| 37 | Red&Blue |
| 71 | Blue&White |

Accessories

| Resistance (About LED Voltage) | |
|--------------------------------|---|
| 3V | LED Input Voltage 3VDC (Without Resistance) |
| 12V | LED input 12 VDC,470Ω |
| 24V | LED input 24 VDC,1000Ω |

- ※ OFF=Without light
ON=LED Blue light
Ex : 07
- ※ OFF(Red);ON(Green)
Ex : 36

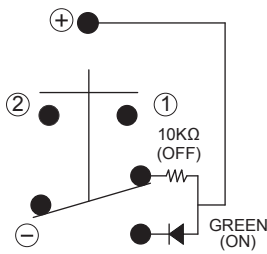
EXAMPLE:
 MPB16L-CARE-[]-JR-3V
 LED color

MPB16 Series

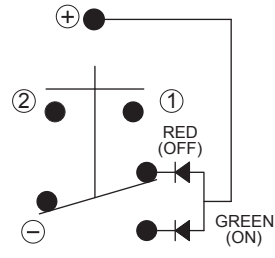
16mm Metal Pushbutton Switches(LOCK)

SCHEMATIC / PANEL CUTOUT / HARDWARE

SCHEMATIC



Single Color Led



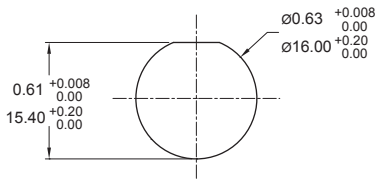
Dual Color Led

* Push-OFF, Without light
Push-ON, LED Green light(Latching)

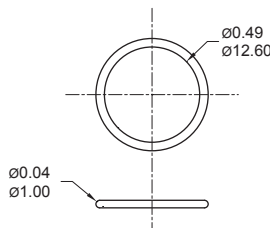
* Push-OFF, LED Red light
Push-ON, LED Green light(Latching)

PANEL CUTOUT

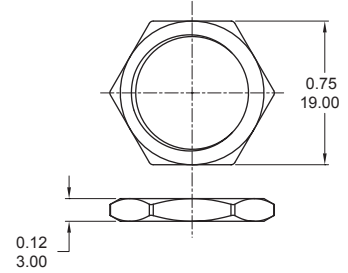
Panel Thickness : 6.0mm Max.



HARDWARE



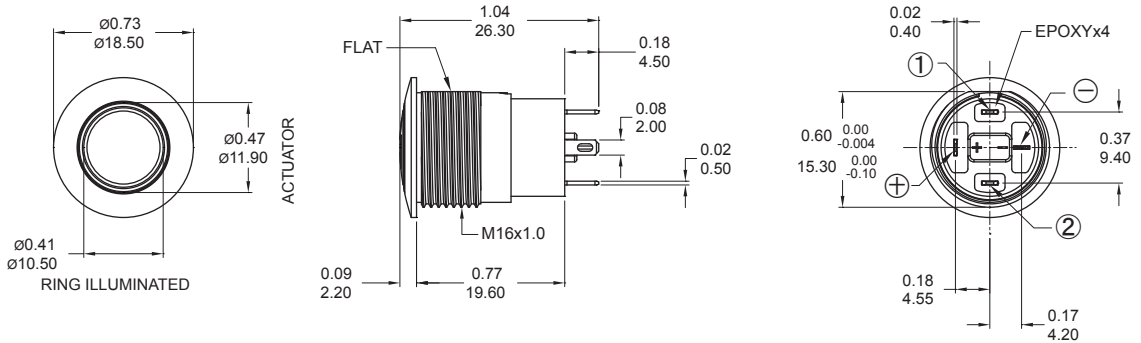
O-RING



NUT

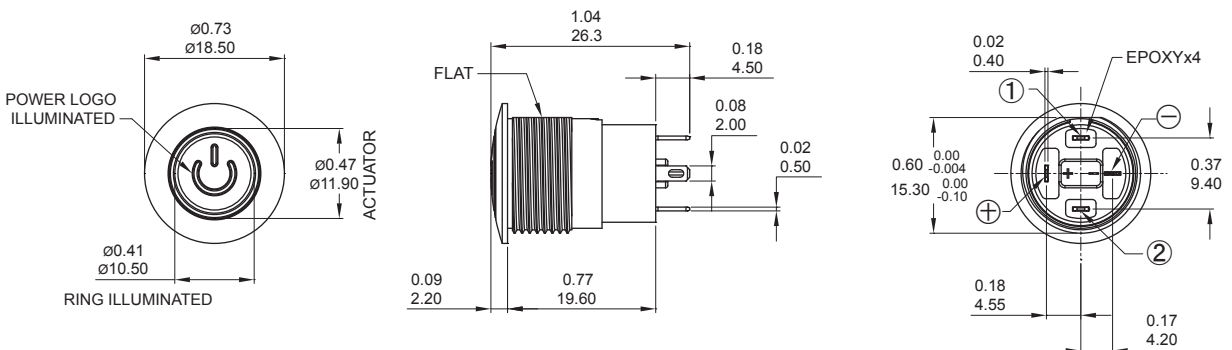
DIMENSION

E Ring



Part No. Shown : MPB16L-CARE-□□-JR-3V

P Power logo



Part No. Shown : MPB16L-CARP-□□-JR-3V