

MW25 Series

25mm Metal Pushbutton Switches(High Current)



SPECIFICATIONS

- RATING** : 16A, 26A 250/125VAC.
- CONTACT RESISTANCE** : 50 mΩ max. @ 1A 12VDC (initial value)
- INSULATION RESISTANCE** : 100 MΩ min. at 500VDC
- DIELECTRIC STRENGTH** : 1,500V RMS @ sea level
- OPERATION TEMPERATURE** : -25°C to 85°C
- MECHANICAL LIFE** : Momentary 1,000,000 cycles
Latching 500,000 cycles
- ELECTRICAL LIFE** : 16A /125&250VAC 50,000 CYCLES
26A /125&250VAC 10,000 CYCLES
- OPERATION PRESSURE** : 3.5±1.5N
- TRAVEL** : About 3.2mm
- INGRESS PROTECTION** : IP67, IK08(Stainless)
- TORQUE**: 1~3Nm.

MATERIALS

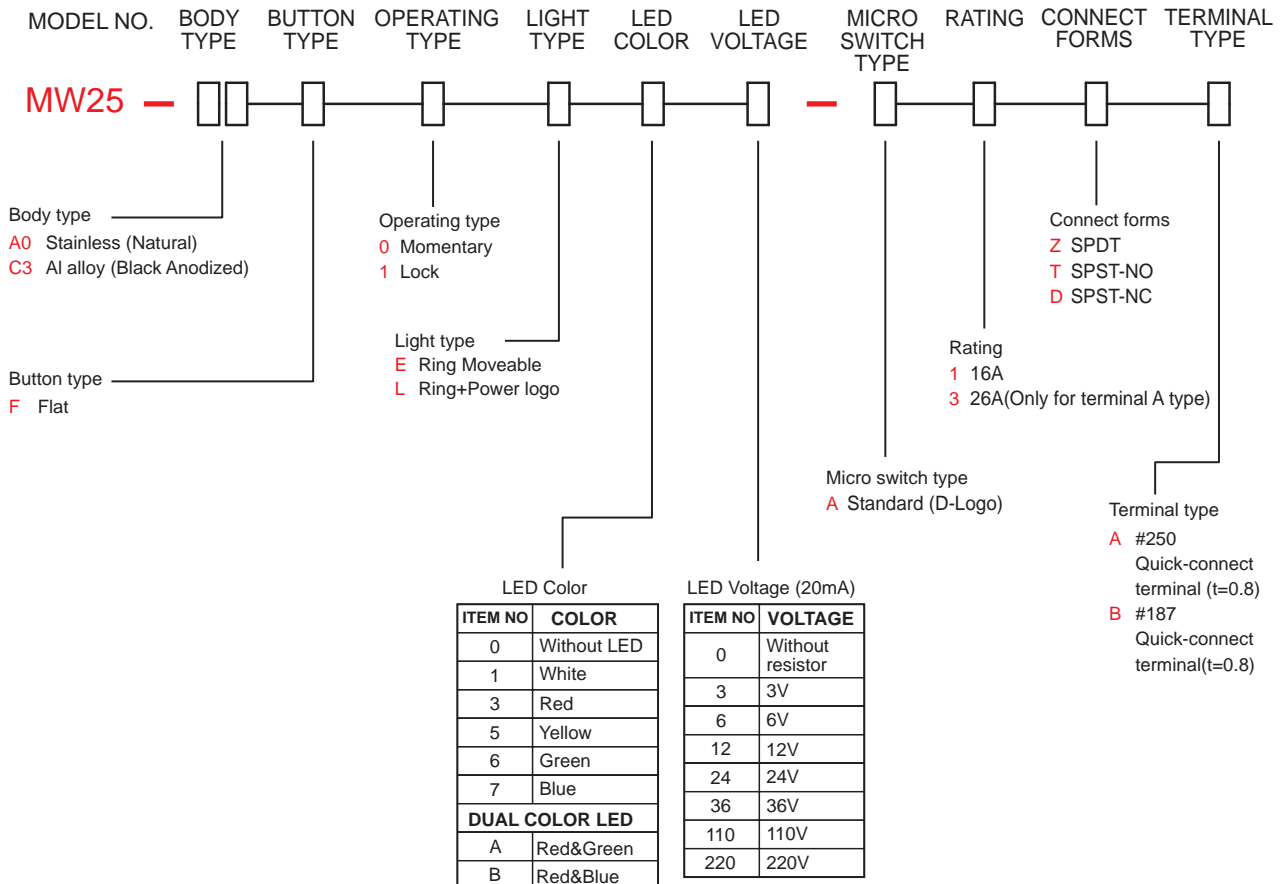
- BUSHING** : Stainless Steel / Aluminum alloy
- BASE** : PBT(UL 94-V0) , PC(UL 94-V2)
- ACTUATOR** : PC ; Stainless Steel / Aluminum alloy
- INNER ASSEMBLY** : POM / PA66.
- SPRING** : Steel.
- SEALING** : Silicone.
- O-Ring** : Silicone.
- TERMINAL**: Brass ,Silver plated.
- HEX NUT** : Nickel plated brass.



IP 67
ACCORDING TO
EN 60529:1991+A1:2001
IEC 60529:2001



HOW TO ORDER



EXAMPLE:
MPB25-A0F0E00-A3ZA (Without LED)
MPB25-A0F0E [] [] [] [] [] [] [] [] [] [] [] []
LED color — LED voltage



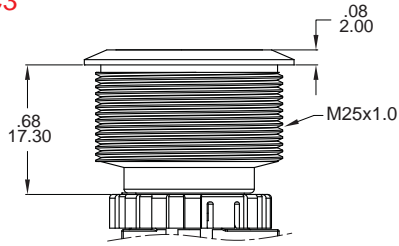
MW25
25mm Metal Switches

MW25 Series

25mm Metal Pushbutton Switches(High Current)

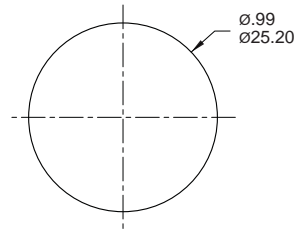
BODY TYPE

A0/C3



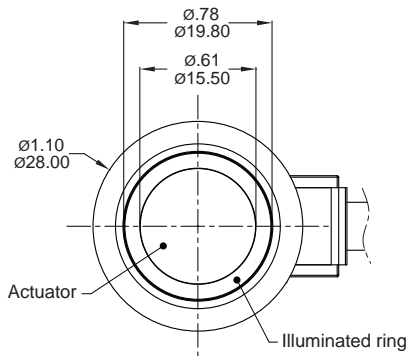
PANEL MOUNTING

Max.Panel thickness: 10.0mm[.39]

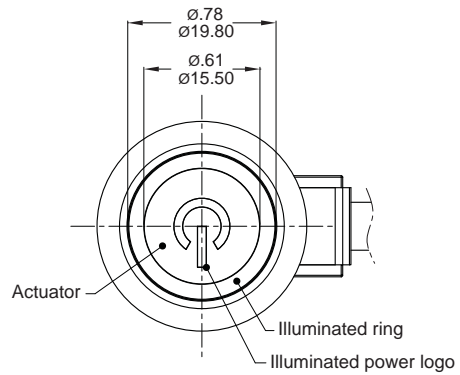


LIGHT TYPE

E Ring Moveable

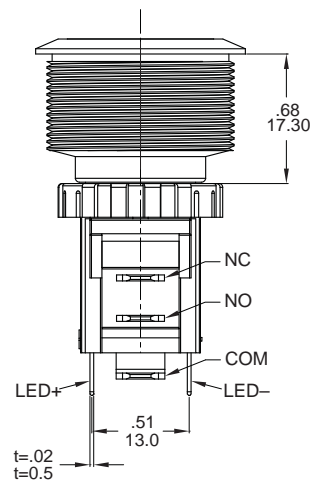
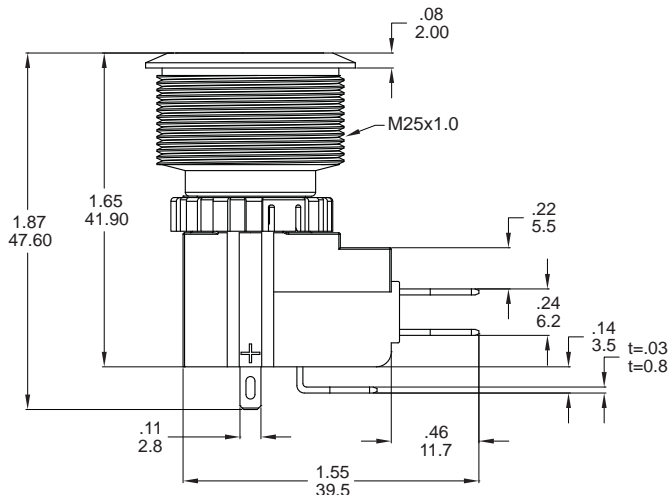
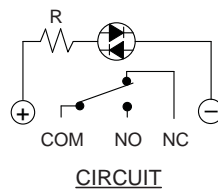
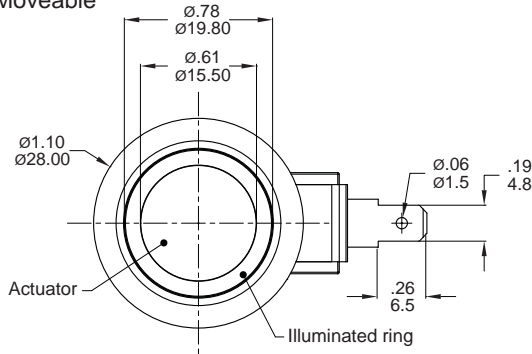


L Ring+Power logo



DIMENSION

E Ring Moveable



Part No. Shown : MW25-A0FE712-A3ZA

MW25
25mm Metal Switches