

MW19 Series

19mm Metal Pushbutton Switches(High Current)



SPECIFICATIONS

RATING : 16A, 26A 250/125VAC.
CONTACT RESISTANCE : 50 mΩ max. @ 1A 12VDC (initial value)
INSULATION RESISTANCE : 100 MΩ min. at 500VDC
DIELECTRIC STRENGTH : 1,500V RMS @ sea level
OPERATION TEMPERATURE : -25°C to 85°C
MECHANICAL LIFE : Momentary 1,000,000 cycles
 Latching 500,000 cycles
ELECTRICAL LIFE : 16A /125&250VAC 50,000 CYCLES
 26A /125&250VAC 10,000 CYCLES
OPERATION PRESSURE : 3.5±1.5N
TRAVEL : About 3.2mm
INGRESS PROTECTION : IP67, IK08(Stainless)
TORQUE: 1~3Nm.

MATERIALS

BUSHING : Stainless Steel / Aluminum alloy
BASE : PBT(UL 94-V0) , PC(UL 94-V2)
ACTUATOR : PC ; Stainless Steel / Aluminum alloy
INNER ASSEMBLY : POM / PA66.
SPRING : Steel.
SEALING : Silicone.
O-Ring : Silicone.
TERMINAL: Brass ,Silver plated.
HEX NUT : Nickel plated brass.



IP 67
 ACCORDING TO
 EN 60529 1991+A1:2001
 IEC 60529:2001



HOW TO ORDER

MODEL NO. BODY TYPE BUTTON TYPE OPERATING TYPE LIGHT TYPE LED COLOR LED VOLTAGE MICRO SWITCH TYPE RATING CONNECT FORMS TERMINAL TYPE

MW19 — [] [] [] [] [] [] [] [] [] [] [] []

Body type
 A0 Stainless (Natural)
 C3 Al alloy (Black Anodized)

Button type
 F Flat
 H High
 R Round (Without LED only)

Operating type
 0 Momentary
 1 Lock

Light type
 0 Without LED
 E Ring Moveable (Flat button only)
 L Ring+Power logo (Flat button only)
 P Power logo
 D Spot

Rating
 1 16A
 3 26A(Only for terminal A type)

Micro switch type
 A Standard (D-Logo)

Terminal type
 A #250 Quick-connect terminal (t=0.8)
 B #187 Quick-connect terminal(t=0.8)

LED Color

ITEM NO	COLOR
0	Without LED
1	White
3	Red
5	Yellow
6	Green
7	Blue
DUAL COLOR LED	
A	Red&Green
B	Red&Blue

LED Voltage (20mA)

ITEM NO	VOLTAGE
0	Without resistor
3	3V
6	6V
12	12V
24	24V
36	36V
110	110V
220	220V

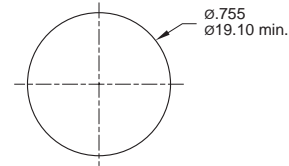
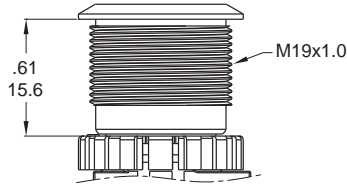
EXAMPLE:
 MPB19-A0R0000-A3ZA(Without LED)
 MPB19-A0F0E [] [] -A3ZA
 LED color [] LED voltage []

BODY TYPE

A0/C3

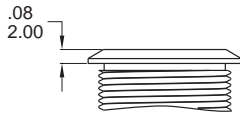
PANEL MOUNTING

Max.Panel thickness: 10.0mm[.39]

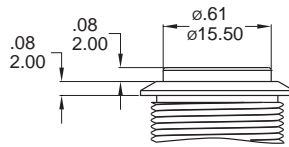


BUTTON TYPE

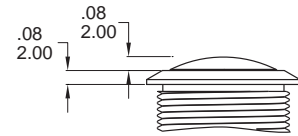
F Flat Button



H High Button

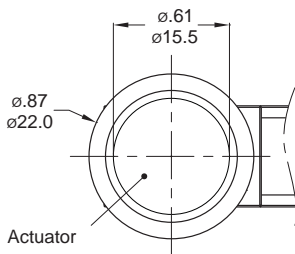


R Round Button (Without LED only)



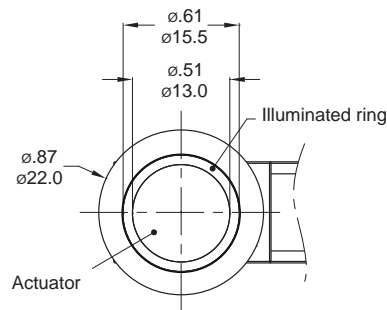
LIGHT TYPE

O Without LED

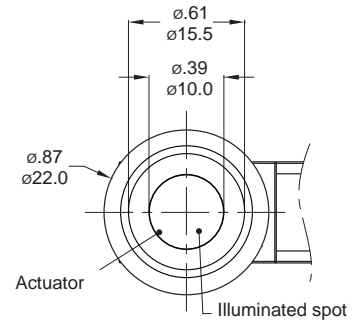


E Ring Moveable

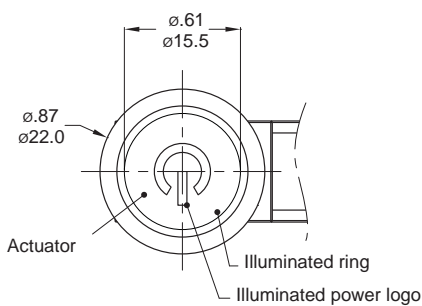
* Flat bottom for E light type only.



D Spot

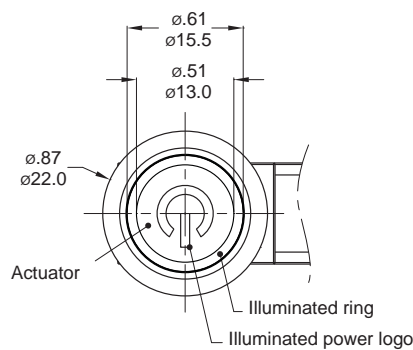


P Power logo



L Ring+Power logo

* Flat bottom for L light type only.

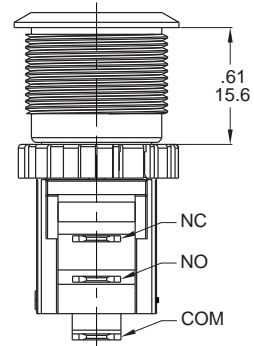
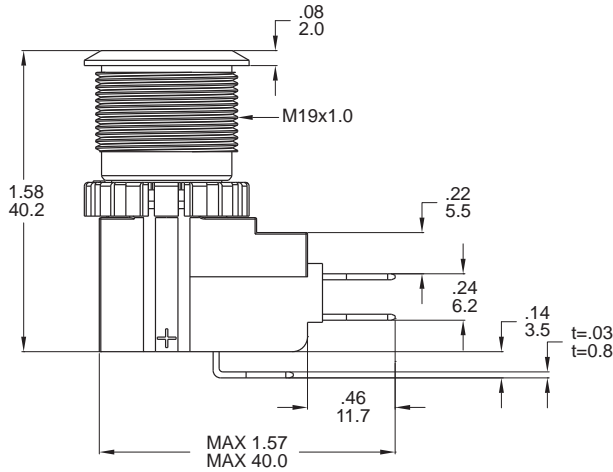
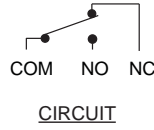
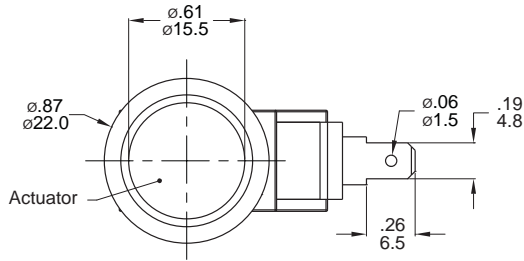


MW19 Series

19mm Metal Pushbutton Switches(High Current)

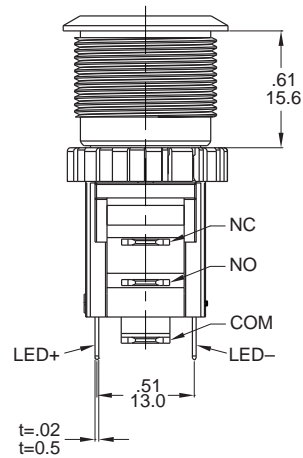
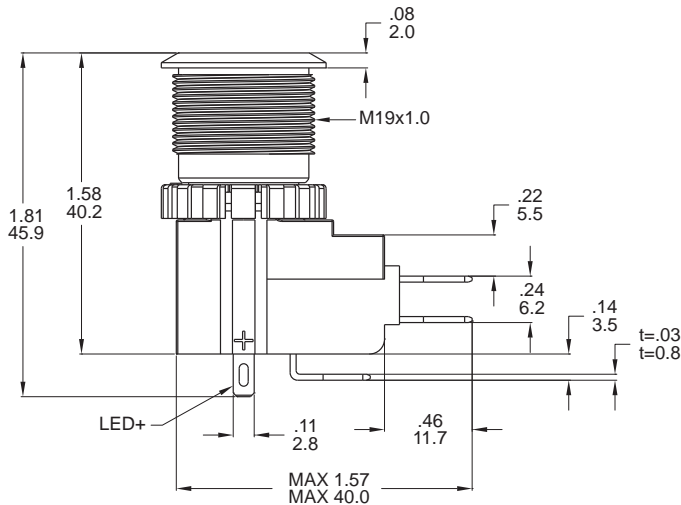
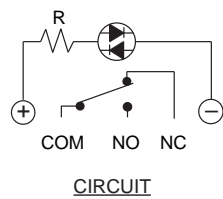
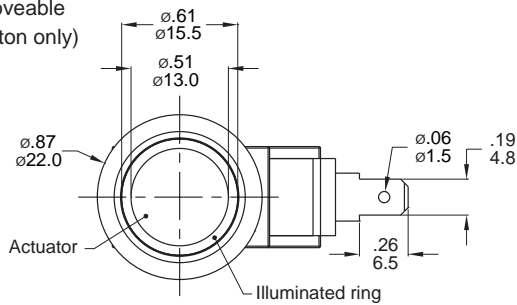
DIMENSION

O Without LED



Part No. Shown : MW19-A0F0000-A3ZA

E Ring Moveable
(Flat bottom only)



Part No. Shown : MW19-A0F0E312-A3ZA



MW19
19mm Metal Switches