

7M Series

Snap-Acting Pushbutton Switches



SPECIFICATIONS

CONTACT RATING: Dependent upon contact material
see page 106.

MECHANICAL LIFE: 50,000 make-and-break cycles.

CONTACT RESISTANCE: 20mΩ max. initial @ 2-4VDC
100mA for both silver and gold plated contacts.

INSULATION RESISTANCE: 1,000MΩ min.

DIELECTRIC STRENGTH: 1,000 Vrms min. @ sea level.

OPERATING TEMPERATURE: -30°C to 85°C.

MATERIALS

CASE: Diallyl phthalate(DAP) (UL94V-0).

PLUNGER: Glass filled Nylon or Glass filled polyester.(PBT)

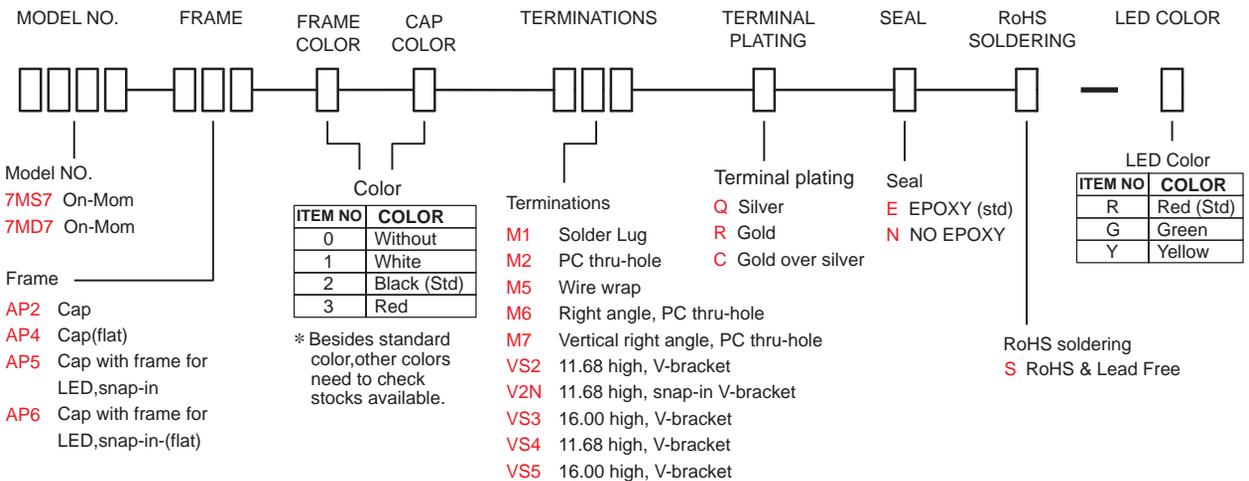
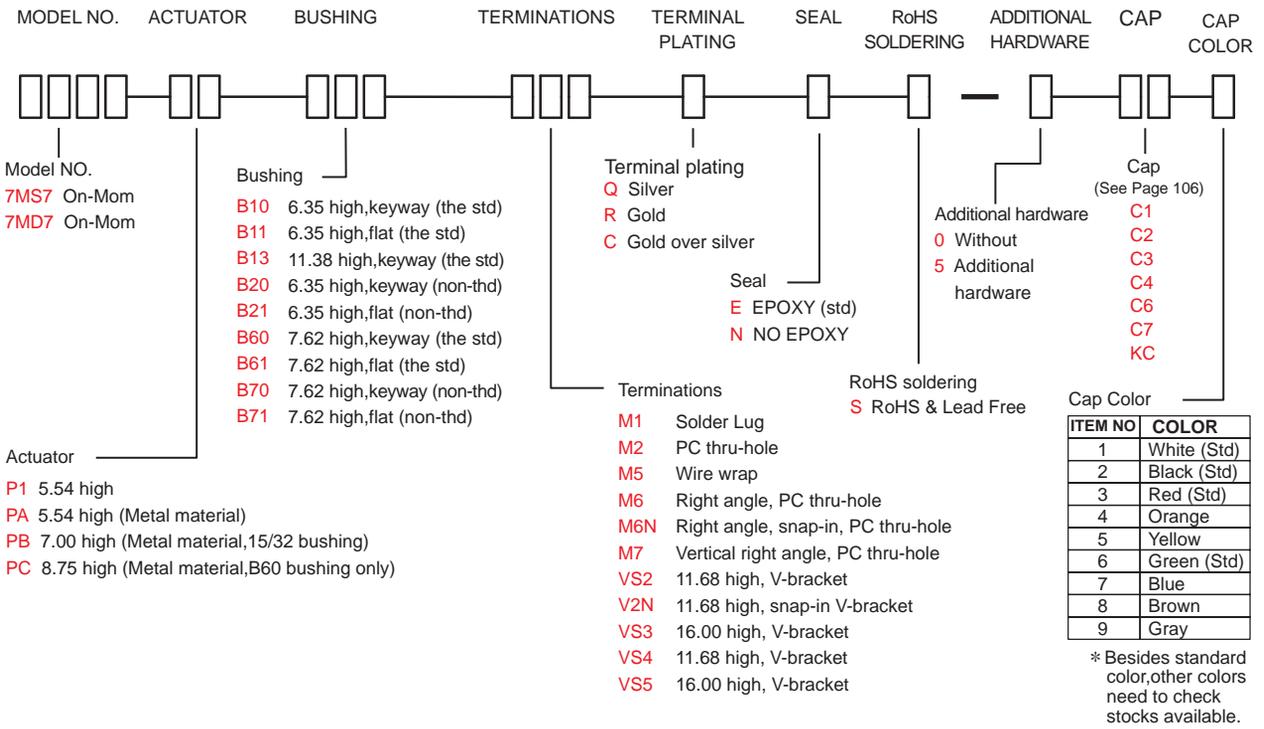
BUSHING: Brass,nickel plated.

HOUSING: Stainless Steel.

CONTACT: Brass or Copper alloy, silver or gold plated.

※7MSL/7MDL with gold over silver for plating
(See Page 107)

HOW TO ORDER



7M Pushbutton Switches

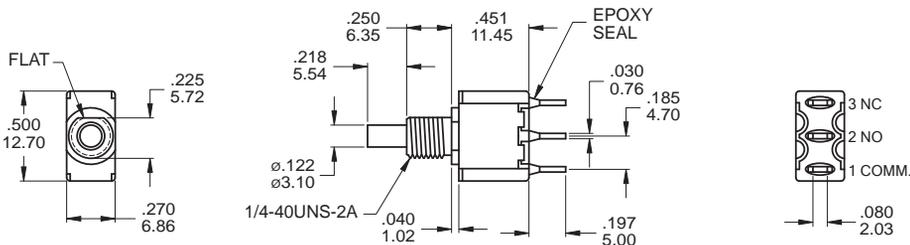
SWITCH FUNCTION

| NO. POLES | UL/CSA MODEL NO. | MODEL NO. | SWITCH FUNCTION | | CONNECTED TERMINALS / SCHEMATIC | |
|-----------|------------------|-----------|-----------------|-------|---------------------------------|-------------|
| | | | POS.1 | POS.2 | POS.1 | POS.2 |
| | | | | | | |
| SP | Q2717 | 7MS7 | ON | MOM | 1-3 | 1-2 |
| DP | Q2727 | 7MD7 | ON | MOM | 1-3,4-6 | 1-2,4-5 |

MOM= MOMENTARY

POLE OPTIONS

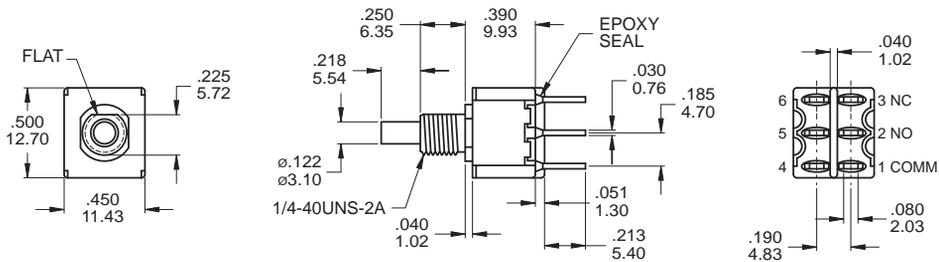
M1



SPDT

Part No. Shown : 7MS7P1B11M1QES

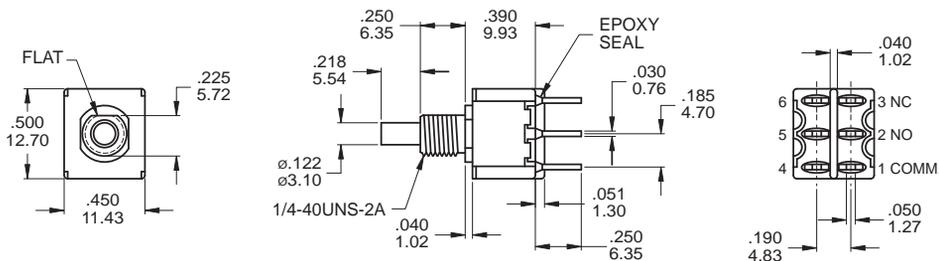
M1



DPDT

Part No. Shown : 7MD7P1B11M1QES

M2



DPDT

Part No. Shown : 7MD7P1B11M2RES

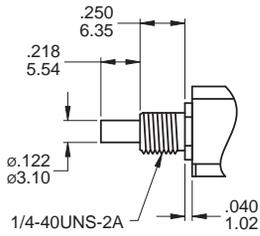


7M Series

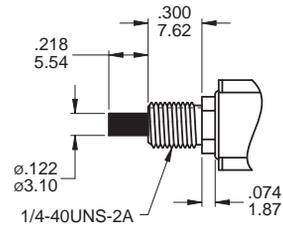
Snap-Acting Pushbutton Switches

ACTUATOR OPTIONS

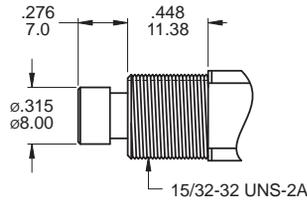
P1



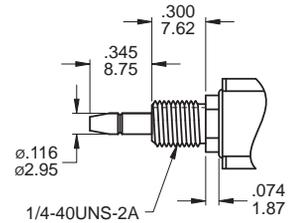
PAB60 handle, metal material



PBB13 handle, metal material



PCB60 handle, metal material

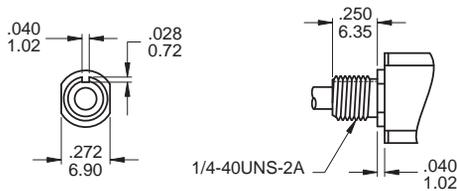


Use with B13 bushing only

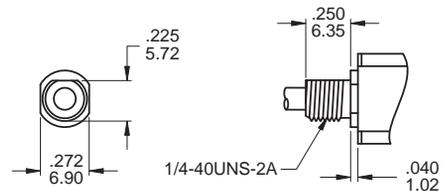
Use with B60 bushing std
* PC Actuator only for KC Cap

BUSHING OPTIONS

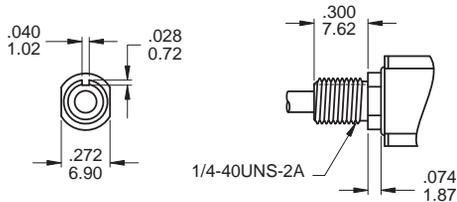
B10 THD STD
B20 NON-THD



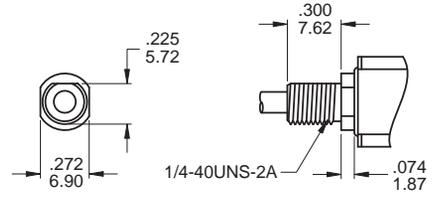
B11 THD STD
B21 NON-THD



B60 THD STD
B70 NON-THD

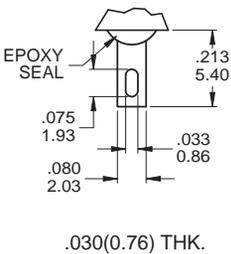


B61 THD STD
B71 NON-THD

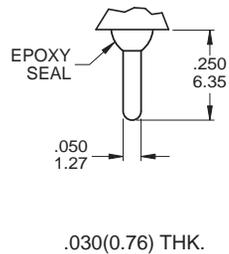


TERMINATION OPTIONS

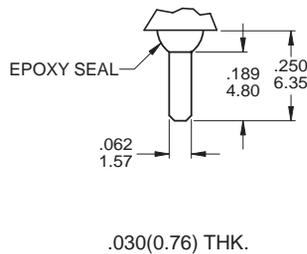
M1 Solder lug



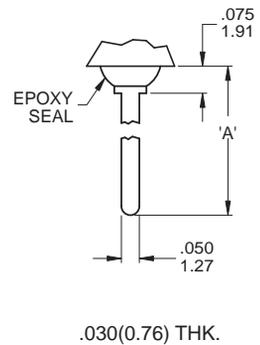
M2 PC Thru-hole



M3 Quick connect



M5 Wire Wrap



OTHER TERMINATION OPTIONS

- M6** Right angle P.C. Mount
- M7** Right angle P.C. Mount
- VS2** Vertical bracket P.C. Mount
- VS3** Vertical bracket P.C. Mount
- VS4** Vertical bracket P.C. Mount
- VS5** Vertical bracket P.C. Mount

- M6N** Right angle P.C. Mount Snap-in bracket
- V2N** Vertical bracket P.C. Mount Snap-in bracket

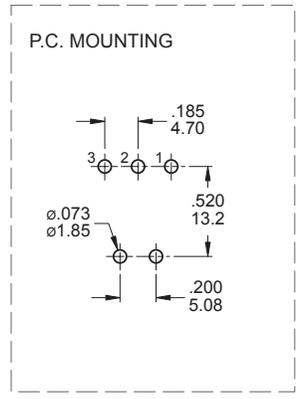
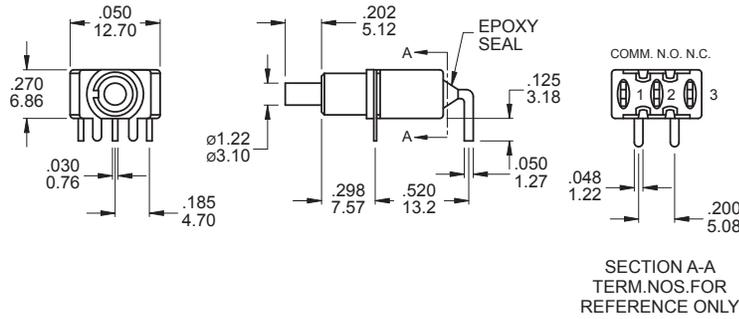
| OPTION CODE | DIM. 'A' |
|-------------|--------------|
| M51 | .750 (19.50) |
| M52 | .964 (24.48) |
| M53 | .426 (10.80) |
| M54 | .650 (16.50) |

7M Pushbutton Switches

7M Series

Snap-Acting Pushbutton Switches

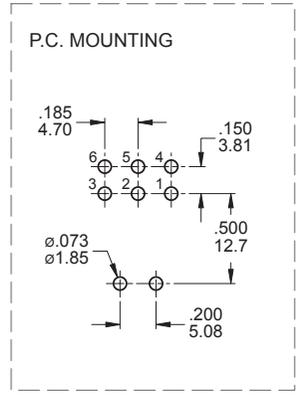
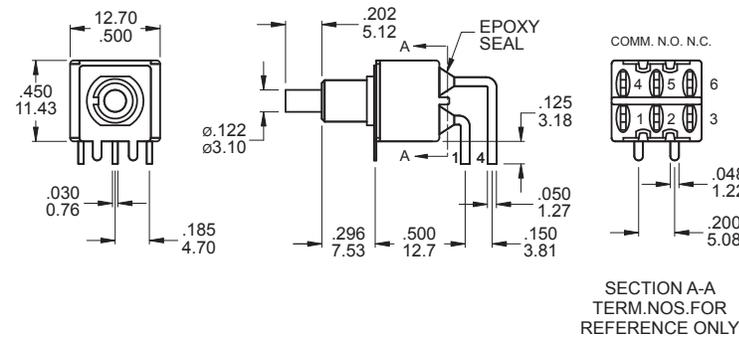
M6



SPDT

Part No. Shown : 7MS7P1B20M6QES

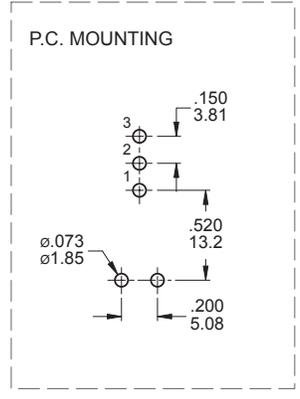
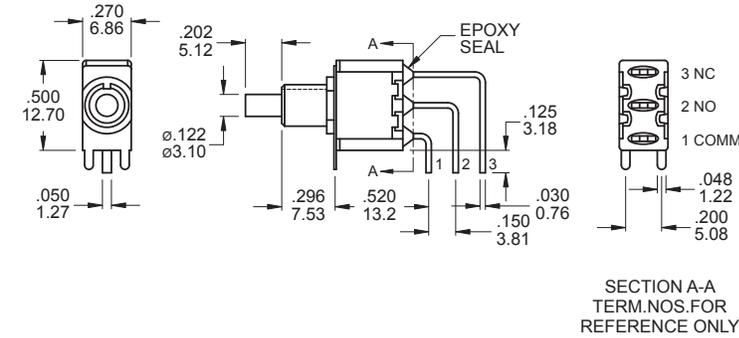
M6



DPDT

Part No. Shown : 7MD7P1B20M6QES

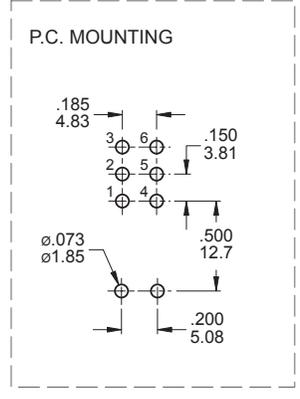
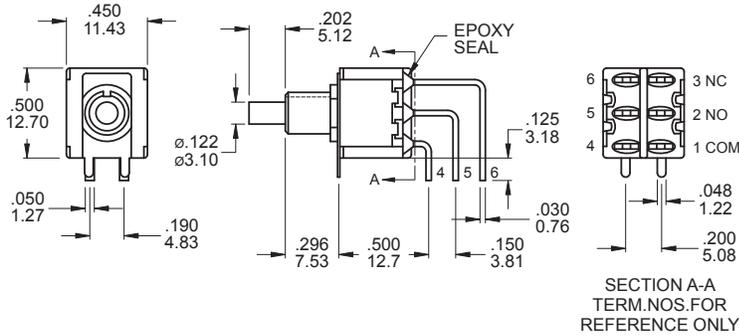
M7



SPDT

Part No. Shown : 7MS7P1B20M7QES

M7



DPDT

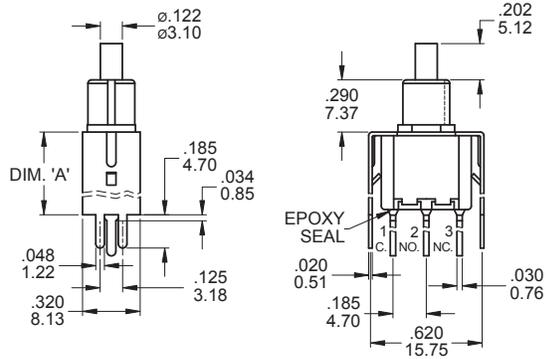
Part No. Shown : 7MD7P1B20M7RES

7M Pushbutton Switches

7M Series

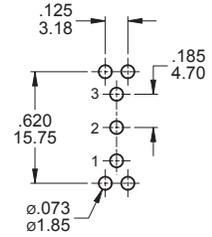
Snap-Acting Pushbutton Switches

VS2 - VS3



| OPTION CODE | DIM. 'A' |
|-------------|---------------|
| VS2 | .460 11.68 |
| VS3 | .630 16.00 |

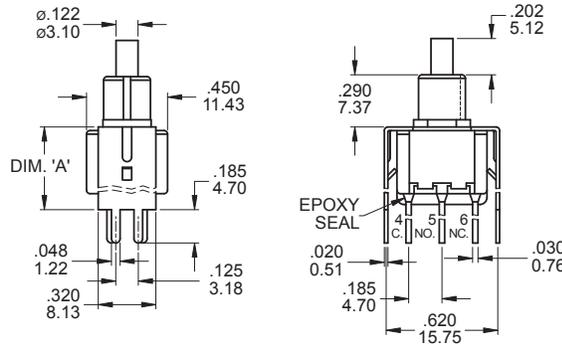
P.C. MOUNTING



SPDT

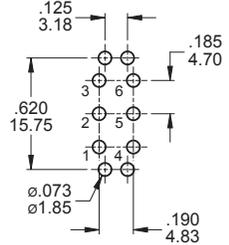
Part No. Shown : 7MS7P1B20VS2RES

VS2 - VS3



| OPTION CODE | DIM. 'A' |
|-------------|---------------|
| VS2 | .460 11.68 |
| VS3 | .630 16.00 |

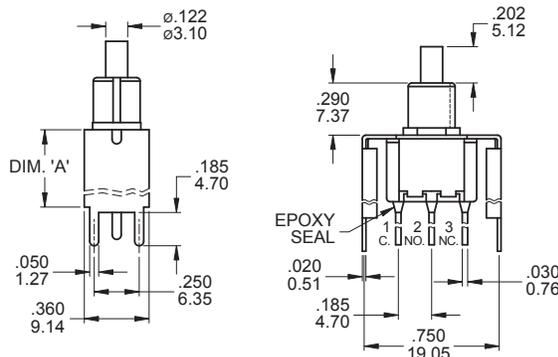
P.C. MOUNTING



DPDT

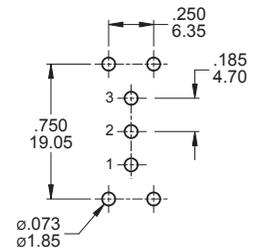
Part No. Shown : 7MD7P1B20VS2QES

VS4 - VS5



| OPTION CODE | DIM. 'A' |
|-------------|---------------|
| VS4 | .460 11.68 |
| VS5 | .630 16.00 |

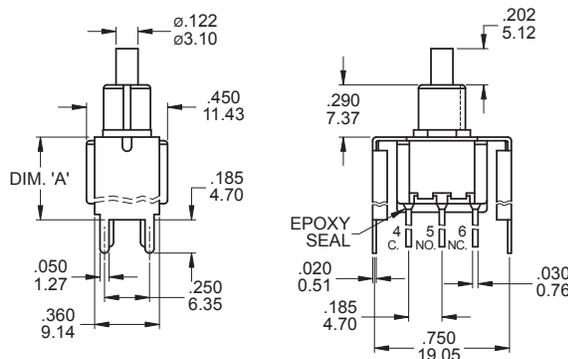
P.C. MOUNTING



SPDT

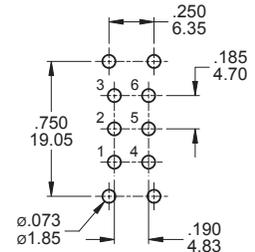
Part No. Shown : 7MS7P1B20VS4QES

VS4 - VS5



| OPTION CODE | DIM. 'A' |
|-------------|---------------|
| VS4 | .460 11.68 |
| VS5 | .630 16.00 |

P.C. MOUNTING



DPDT

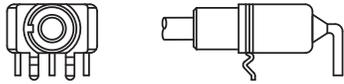
Part No. Shown : 7MD7P1B20VS4QES



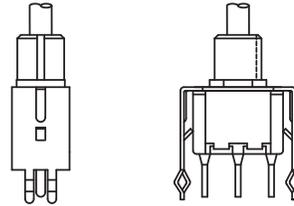
7M
Pushbutton Switches

SNAP-IN TERMINATION OPTIONS

M6N

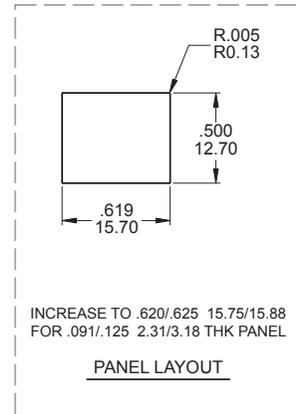
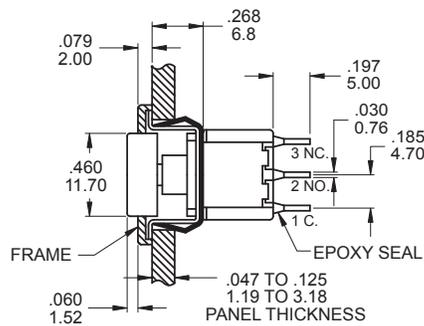
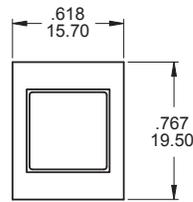


V2N



PANEL MOUNTING

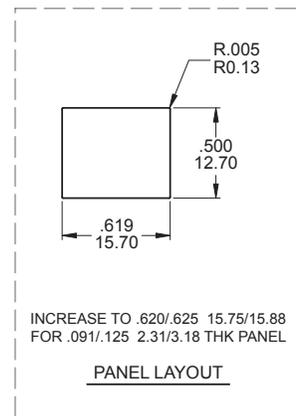
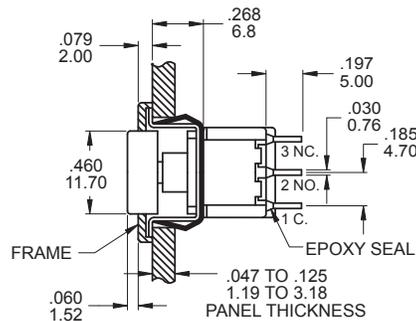
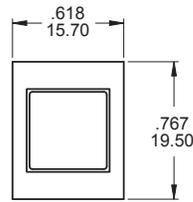
AP2 CAP & FRAME



SPDT

Part No. Shown : 7MS7AP223M1QES

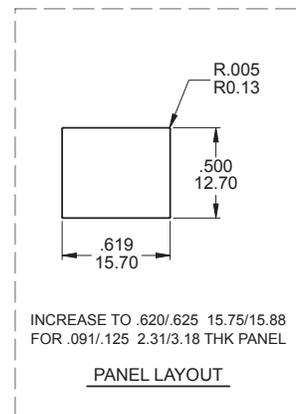
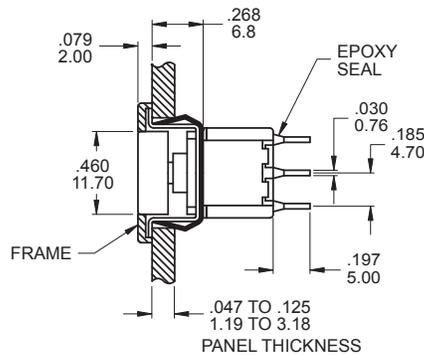
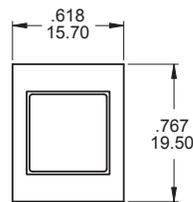
AP2 CAP & FRAME



DPDT

Part No. Shown : 7MD7AP223M1QES

AP4 CAP & FRAME



SPDT

Part No. Shown : 7MS7AP429M1RES



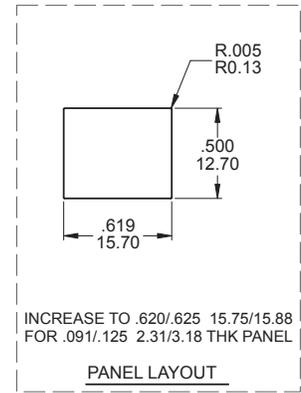
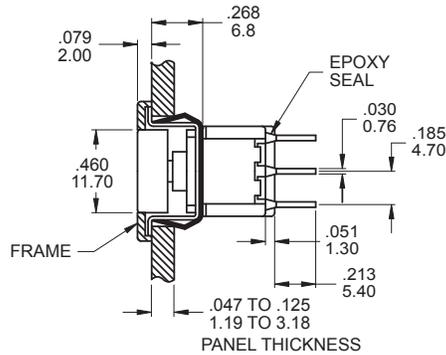
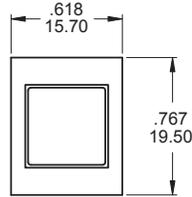
7M Pushbutton Switches

7M Series

Snap-Acting Pushbutton Switches

PANEL MOUNTING

AP4 CAP & FRAME

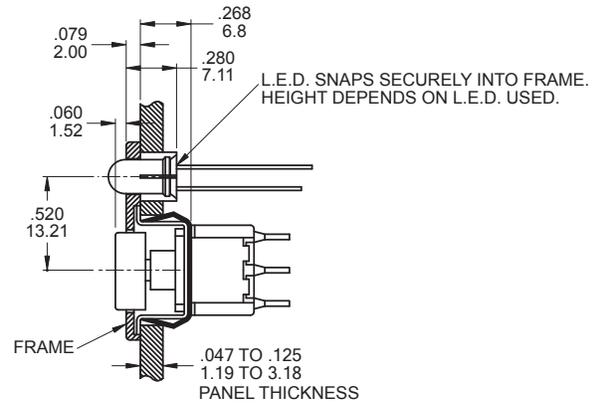
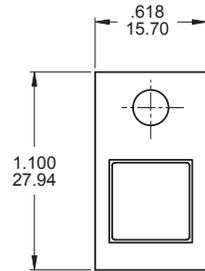


DPDT

Part No. Shown : 7MD7AP423M1RES



AP5 CAP & FRAME

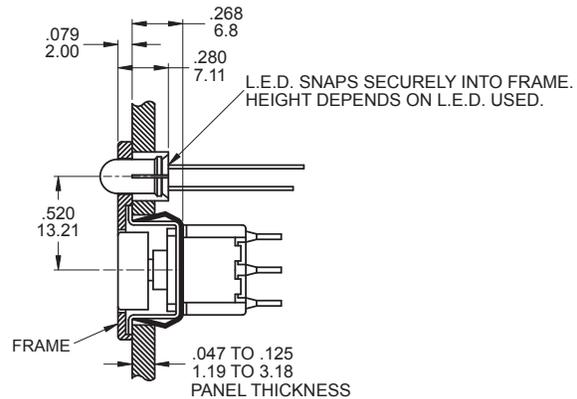
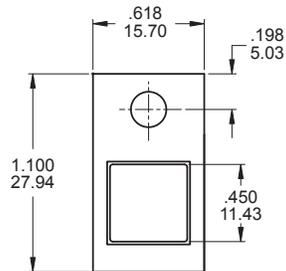


SPDT

Part No. Shown : 7MS7AP523M1QES

7M Pushbutton Switches

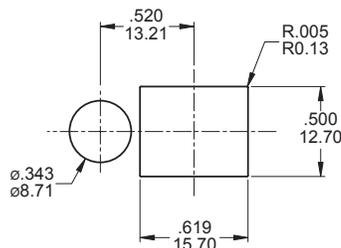
AP6 CAP & FRAME



SPDT

Part No. Shown : 7MS7AP629M1RES

FOR AP5/AP6



PANEL LAYOUT

CAP AND FRAME COLORS

| OPTION CODE | COLOR |
|-------------|------------|
| 1 | WHITE |
| 2 | BLACK(std) |
| 3 | RED |

LED COLORS

| OPTION CODE | COLOR |
|-------------|----------|
| R | RED(std) |
| G | GREEN |
| Y | YELLOW |

* Besides standard color, other colors need to check stocks available.